

INSTALLATION INSTRUCTIONS

Product

Screen Support

7160-0060

Date

5/16/2008

Form #

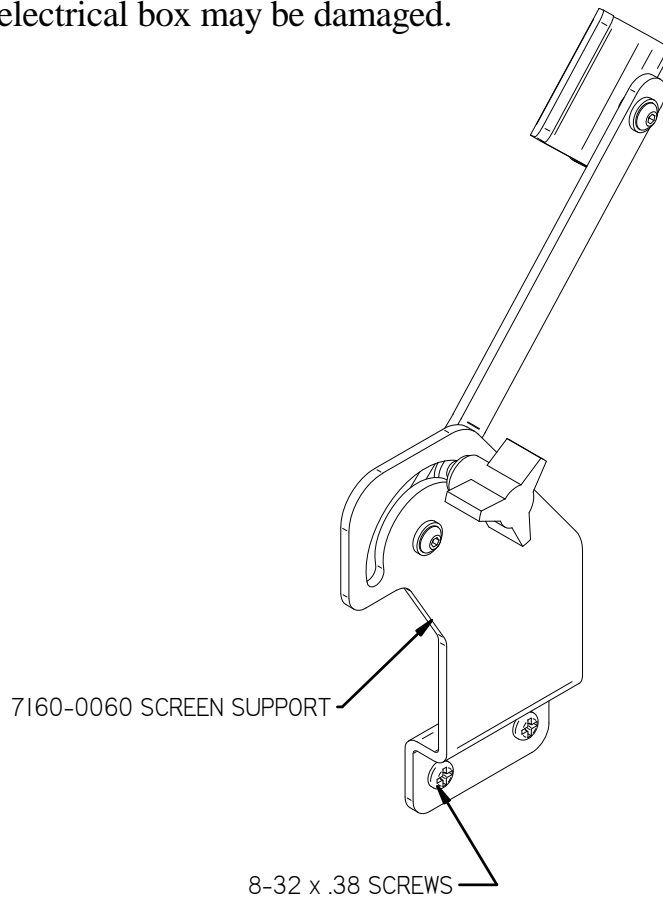
INST-345

7160-0060 SCREEN SUPPORT

Use two #8-32 x .38 long phillips drive screws to attach the screen support to two threaded inserts in the right side of the the dock electrical box.

Note: The screen support option can only be mounted on the right side of the electrical box.

Do not use screws longer than those supplied as componets inside the electrical box may be damaged.



Product Mounting Disclaimer

Gamber-Johnson is not liable under any theory of contract or tort law for any loss, damage, personal injury, special, incidental or consequential damages for personal injury or other damage of any nature arising directly or indirectly as a result of the improper installation or use of its products in vehicle or any other application. In order to safely install and use Gamber-Johnson products full consideration of vehicle occupants, vehicle systems (i.e., the location of fuel lines, brakes lines, electrical, drive train or other systems), air-bags and other safety equipment is required. Gamber-Johnson specifically disclaims any responsibility for the improper use or installation of its products not consistent with the original vehicle manufactures specifications and recommendations, Gamber-Johnson product instruction sheets, or workmanship standards as endorsed through the Gamber-Johnson Certified Installer Program.

If you need assistance or have questions, call Gamber-Johnson at 1-800-456-6868