



Very Well Connected™

# INSTALLATION INSTRUCTIONS

<b><u>Product</u></b> <b>7160-0759</b> <b>SLIM FZ-G1 CRADLE</b>	<b><u>Revision</u></b> Rev. D	<b><u>Form</u></b> INST-681 <b>Printing Spec: PS-004</b>
---	----------------------------------	--

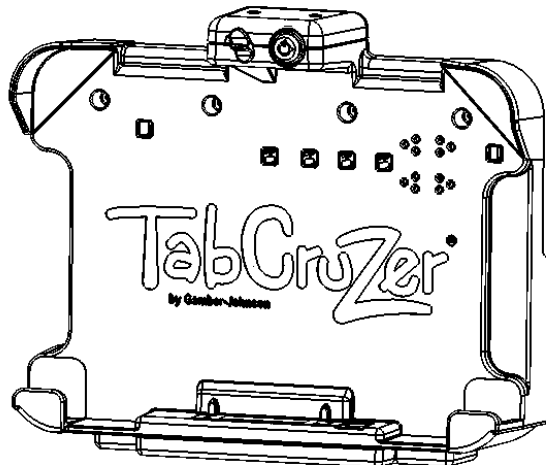
This instruction sheet is for the FZ-G1 cradle only. For instructions on features, set-up, and operation of the FZ-G1 computer, please refer to the manual provided by Panasonic with the computer.

**This cradle is designed to be used with a Standard FZ-G1 only. An FZ-G1 with a handstrap or with optional add-on attachments such as an extended battery or a card reader will not fit into this cradle.**

This cradle is designed to be used with a variety of Gamber-Johnson mounting systems. Installation instructions for other Gamber-Johnson products are provided with each individual product.

This instruction sheet is for the following products:

**Item No. 7160-0759-00 (-E) No RF**



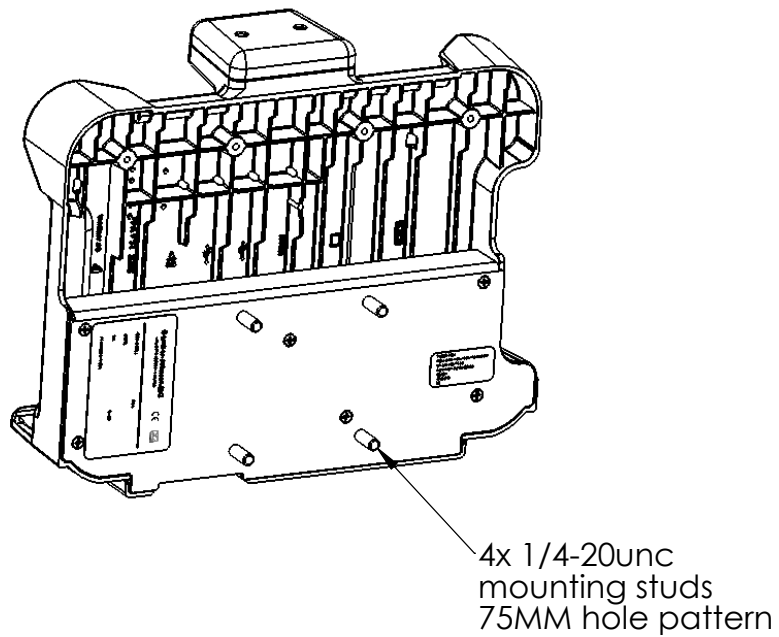
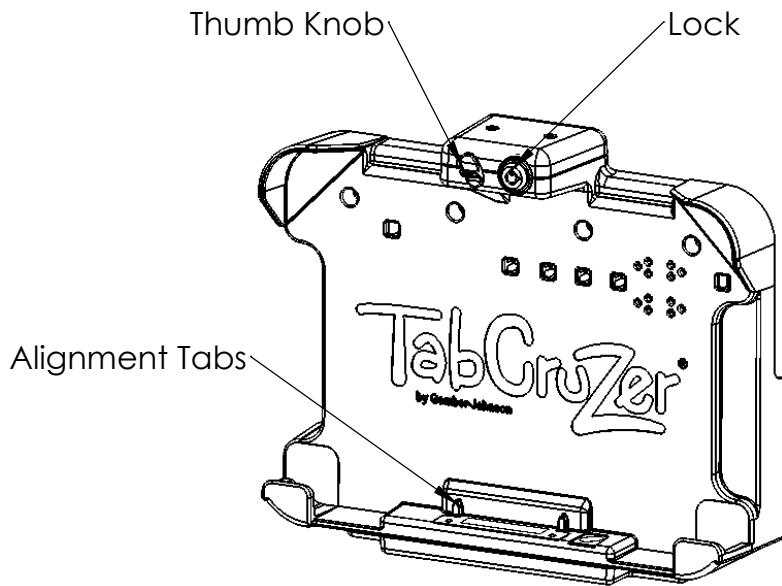
**Product Mounting Disclaimer**

Gamber-Johnson is not liable under any theory of contract or tort law for any loss, damage, personal injury, special, incidental or consequential damages for personal injury or other damage of any nature arising directly or indirectly as a result of the improper installation or use of its products in vehicle or any other application. In order to safely install and use Gamber-Johnson products full consideration of vehicle occupants, vehicle systems (i.e., the location of fuel lines, brakes lines, electrical, drive train or other systems), air-bags and other safety equipment is required. Gamber-Johnson specifically disclaims any responsibility for the improper use or installation of its products not consistent with the original vehicle manufactures specifications and recommendations, Gamber-Johnson product instruction sheets, or workmanship standards as endorsed through the Gamber-Johnson Certified Installer Program.

© Copyright 2016 Gamber-Johnson, LLC

If you need assistance or have questions, call Gamber-Johnson at 1-800-456-6868

# FZ-G1 CRADLE FEATURE IDENTIFICATION



# INSERTING THE COMPUTER INTO THE CRADLE

## INSERTING THE COMPUTER

1. Insert the bottom of the computer into the cradle.

Then rotate the top of the computer under the top latch until the computer is resting inside the main housing. The latch will spring down in front of the computer to hold it in place. (see Figures 1 & 2)

3. (Optional) The key lock can now be used for security purposes.

**Figure 1**



**Figure 2**



## TO REMOVE THE COMPUTER

1. Unlock if locked.

3. Push upward on the thumb knob and pull outward on the top of the computer until it clears the top latch. Lift the computer out of the cradle. (See figure 3)

**Figure 3**

