

# INSTALLATION INSTRUCTIONS

## Product

7160-0435, 7170-0222

## Revision

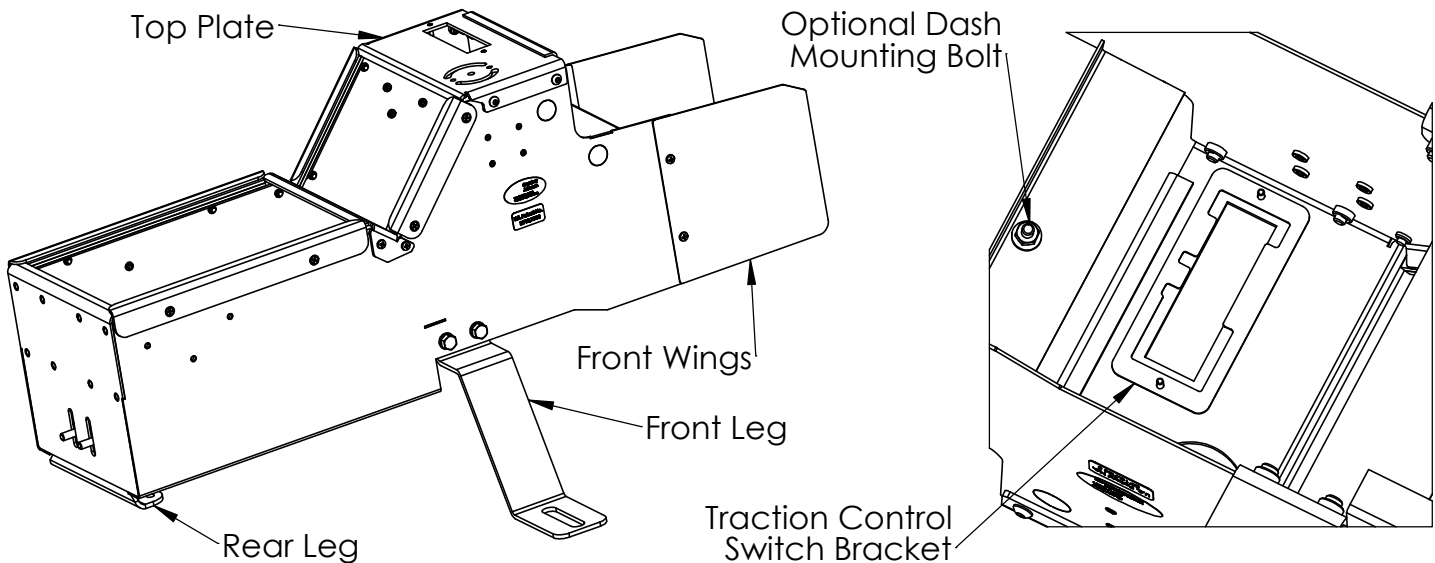
Rev.C

## Form

INST-574

**Description** CHEVY TAHOE CONSOLE, 2007+

**Printing Spec:**PS-001



1. Remove HAVAC/Radio Trim Bezel by carefully prying around the edges with a flat tool.
2. Remove the two screws retaining the 12 volt accessory outlet and traction control switch.
3. Unplug the 12 volt accessory outlet and traction control switch.
4. Remove the traction control switch from the panel by carefully prying at the edges with a small flat screwdriver.
5. Replace the HVAC/Radio Bezel. Do not reinstall the 12 volt accessory outlets and bracket. Run the traction control wire through the opening in the bezel.
6. Mount the traction control switch into the opening in the console box Top Plate using the supplied nuts and the Traction Control Switch Bracket.

1. Loosely install the Rear Leg to the console using the supplied 5/16-18 nuts and washers.
2. Remove the seat bolts from the front of the seats and loosen the rear seat bolts.
3. Lift the seat fronts enough to slide the Front Leg under the front inner seat mount bolt.
4. Replace the seats.
5. Slide the console into place.
6. Connect the harness to the traction control switch.
7. Loosely attach the Console to the Legs using the supplied 3/8-16 x .75" hex head bolts and lock washers.
8. Apply forward pressure to the console so that the rubber molding on the Top Plate contact the dash, then tighten the seat bolts (front and rear) and Leg hardware.
9. Slide the Rear Leg down to apply pressure to the floor and tighten bolts.
10. Optional: Drill and install bolts (not supplied) in Rear Leg to further support rear of box. Caution: Check for vehicle systems before drilling into the vehicle.
11. Install Front Wings using supplied #10-32 x 3/8" screws.
12. For additional Top Plate stability, a hole can be drilled in the underside of the vehicle dash and the console can be secured to the dash with the supplied bolt, washers and nut. If top plate is removed during installation torque (4) top plate bolts to 60-85 in-lbs when reinstalled.

#### Product Mounting Disclaimer

Gamber-Johnson is not liable under any theory of contract or tort law for any loss, damage, personal injury, special, incidental or consequential damages for personal injury or other damage of any nature arising directly or indirectly as a result of the improper installation or use of its products in vehicle or any other application. In order to safely install and use Gamber-Johnson products full consideration of vehicle occupants, vehicle systems (i.e., the location of fuel lines, brakes lines, electrical, drive train or other systems), air-bags and other safety equipment is required. Gamber-Johnson specifically disclaims any responsibility for the improper use or installation of its products not consistent with the original vehicle manufactures specifications and recommendations, Gamber-Johnson product instruction sheets, or workmanship standards as endorsed through the Gamber-Johnson Certified Installer Program.

© copyright 2011 Gamber-Johnson, LLC

If you need assistance or have questions, call Gamber-Johnson at 1-800-456-6868