



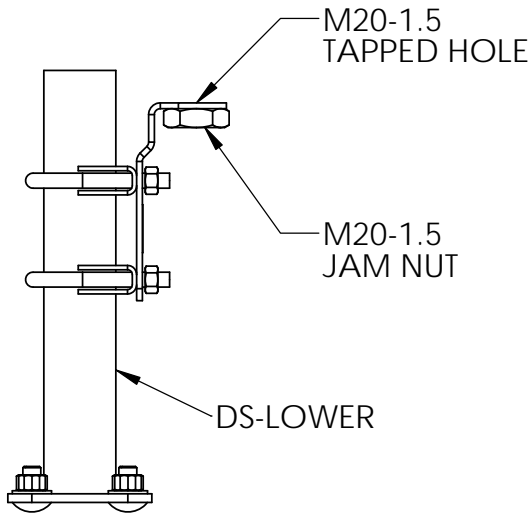
Very Well Connected™

# INSTALLATION INSTRUCTIONS

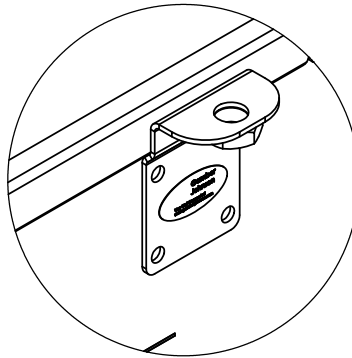
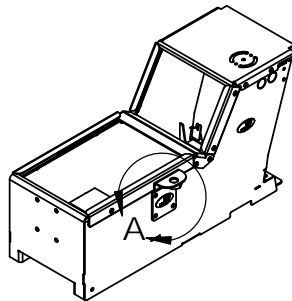
<b>Product</b> <b>7160-0440</b>	<b>Revision</b> Rev.A	<b>Form</b> INST-576
<b>MAX3 SURFACE/POLE MOUNT</b>		<b>Printing Spec:</b> PS-001

The MAX3 Surface/Pole Mount comes with mounting hardware for attaching to both a flat surface and a pole. Examples of both are shown below. Use the two clamps as shown for attaching to a DS Lower Pole. To attach to a flat surface, field drill holes in the mounting surface to attach the plate. 1/4 x 1" mounting hardware has been provided in the hardware bag.

Attach the Max3 knuckle to the mounting plate by screwing in one end of the knuckle into the tapped hole. Next, lock in place with the jam nut provided in the hardware bag.



view of Max3 knuckle



DETAIL A  
SCALE 1 : 4

**Product Mounting Disclaimer**

Gamber-Johnson is not liable under any theory of contract or tort law for any loss, damage, personal injury, special, incidental or consequential damages for personal injury or other damage of any nature arising directly or indirectly as a result of the improper installation or use of its products in vehicle or any other application. In order to safely install and use Gamber-Johnson products full consideration of vehicle occupants, vehicle systems (i.e., the location of fuel lines, brakes lines, electrical, drive train or other systems), air-bags and other safety equipment is required. Gamber-Johnson specifically disclaims any responsibility for the improper use or installation of its products not consistent with the original vehicle manufactures specifications and recommendations, Gamber-Johnson product instruction sheets, or workmanship standards as endorsed through the Gamber-Johnson Certified Installer Program.

© Copyright 2012 Gamber-Johnson, LLC

If you need assistance or have questions, call Gamber-Johnson at 1-800-456-6868