



Very Well Connected™

INSTALLATION INSTRUCTIONS

Product

7160-0554

VEHICLE BASE - FORD - F150 2015+

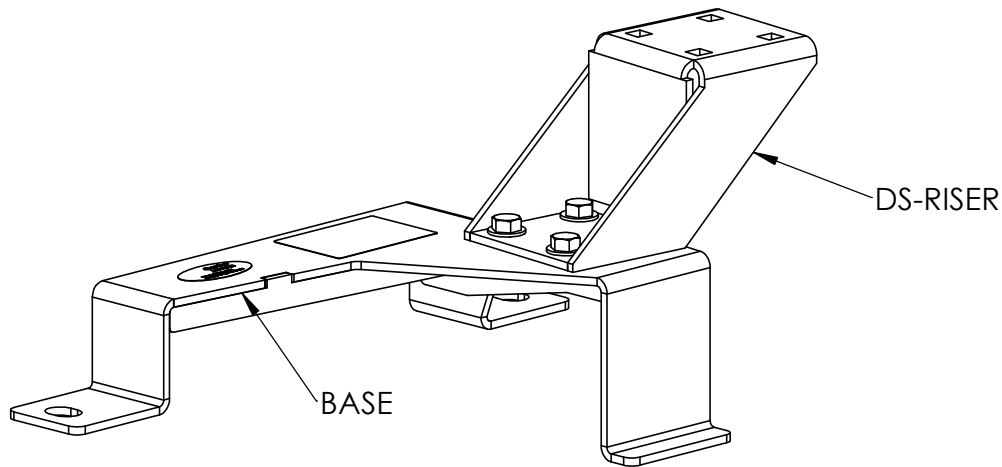
Revision

REV. B

Form

INST-660

Printing Spec: PS-001



PARTS LIST

<u>PART NO.</u>	<u>DESCRIPTION</u>	<u>QUANTITY</u>
15306	VEHICLE BASE	1
11519	DS-RISER	1
7120-0215	HARDWARE BAG	1
• 1173-3812	• 3/8-16 X .75 HHCS	• 4
• 3130-0052	• 3/8 FLAT WASHER	• 4

INSTALLATION INSTRUCTIONS:

1. Attach the DS-RISER to the Base using the 3/8 bolts and washers provided.
2. Remove any plastic trim that covers front and rear bolts of passenger seat.
3. Remove the two front seat bolts of the passenger seat and loosen the two rear seat bolts.
4. Lift the seat up and slide the Base in between the seat and floor such the slots on the base line-up with the seat bolt holes.
5. Install the two front seat bolts that were removed in step 3 and tighten the rear seat bolts.
6. Install any plastic trim removed in step 2.

Product Mounting Disclaimer

Gamber-Johnson is not liable under any theory of contract or tort law for any loss, damage, personal injury, special, incidental or consequential damages for personal injury or other damage of any nature arising directly or indirectly as a result of the improper installation or use of its products in vehicle or any other application. In order to safely install and use Gamber-Johnson products full consideration of vehicle occupants, vehicle systems (i.e., the location of fuel lines, brakes lines, electrical, drive train or other systems), air-bags and other safety equipment is required. Gamber-Johnson specifically disclaims any responsibility for the improper use or installation of its products not consistent with the original vehicle manufactures specifications and recommendations, Gamber-Johnson product instruction sheets, or workmanship standards as endorsed through the Gamber-Johnson Certified Installer Program.

© Copyright 2014 Gamber-Johnson, LLC

If you need assistance or have questions, call Gamber-Johnson at 1-800-456-6868



- You must read and follow all of these installation instructions. Failure to follow all of these installation instructions may result in serious bodily injury or death.
- Keep these installation instructions with the product and readily available in the vehicle for future reference of other users of the product.
- Additional copies of the installation instructions can be obtained from Gamber Johnson.
- If you need assistance or have any questions, call Gamber-Johnson at 1-800-456-6868.
- Do not remove warning label from product under any circumstances.
- Before installation of any equipment always check area for routing of wires / cables and if drilling is required check area where drilling above and below the drilling area.
- High speed vehicle turns may cause a motion attachment product to swivel, interfering with the driver or other equipment.
- The Vehicle Base, Upper Pole, Motion Attachment and Dock or Cradle should not be positioned in the area where the airbag will be deployed if it is activated. **DO NOT** position the equipment in front of an airbag. Equipment positioned in front of an airbag can cause serious injury or death if and airbag was activated, such as in an accident.
- The installer and user of this product(s) are responsible for installing and using Upper Pole, Motion Attachment and Dock or Cradle assemblies outside the airbag deployment zone. (See Product Mounting Disclaimer Below)
- If installation of the equipment requires that the equipment be placed in front of an airbag, deactivate the airbag in the vehicle so it cannot be activated in an accident. In order to secure permission for deactivating the airbag in these circumstances, contact the National Highway Traffic Safety Administration at 1-800-424-9393 to gain permission to do so. If you have any questions or need assistance, call Gamber Johnson at 1-800-456-6868.

Product Mounting Disclaimer

Gamber-Johnson is not liable under any theory of contract or tort law for any loss, damage, personal injury, special, incidental or consequential damages for personal injury or other damage of any nature arising directly or indirectly as a result of the improper installation or use of its products in vehicle or any other application. In order to safely install and use Gamber-Johnson products full consideration of vehicle occupants, vehicle systems (i.e., the location of fuel lines, brakes lines, electrical, drive train or other systems), air-bags and other safety equipment is required. Gamber-Johnson specifically disclaims any responsibility for the improper use or installation of its products not consistent with the original vehicle manufactures specifications and recommendations, Gamber-Johnson product instruction sheets, or workmanship standards as endorsed through the Gamber-Johnson Certified Installer Program.

© Copyright 2014 Gamber-Johnson, LLC

If you need assistance or have questions, call Gamber-Johnson at 1-800-456-6868