



INSTALLATION INSTRUCTIONS

Product

7160-1379

2019+ FORD RANGER VEHICLE BASE

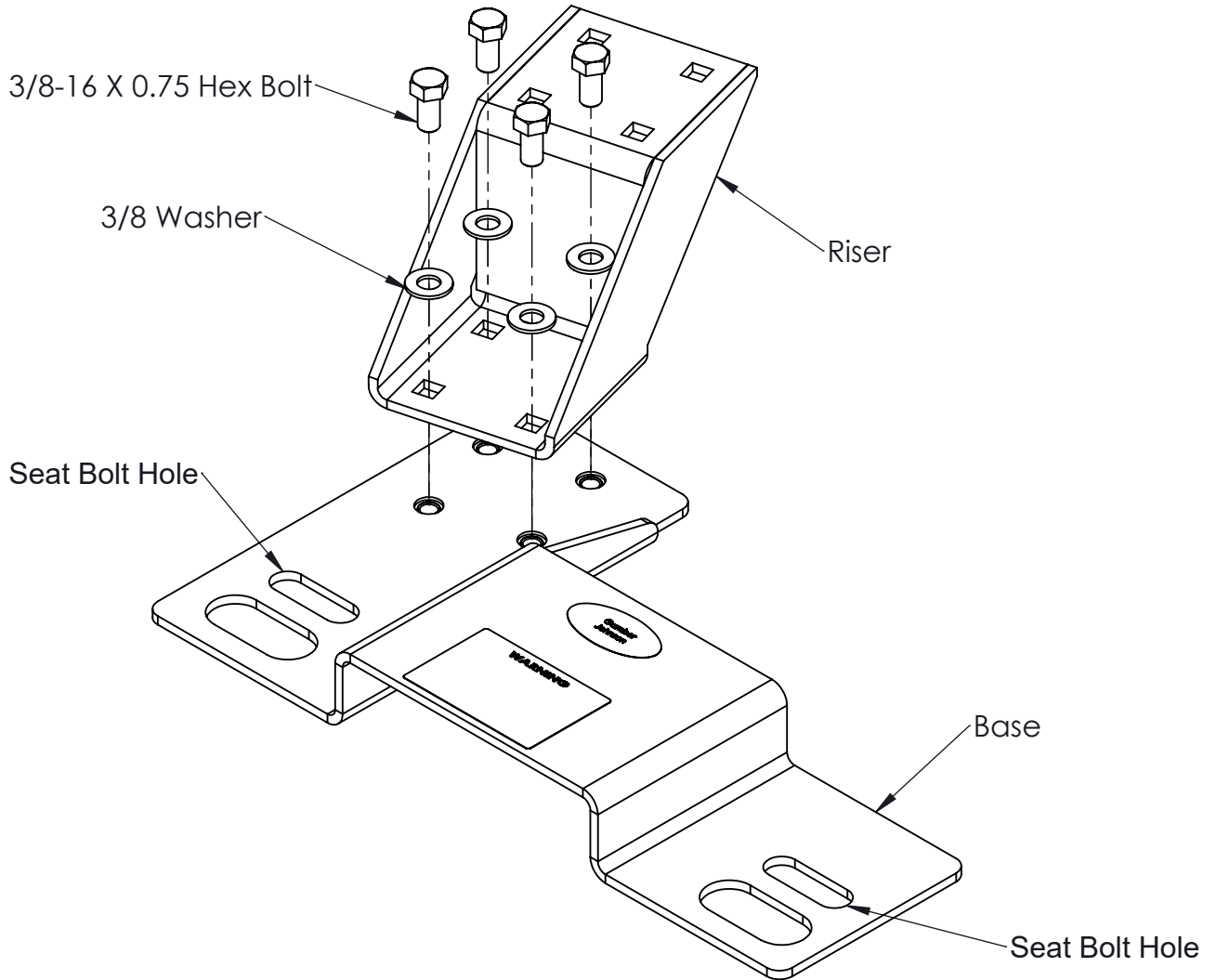
Revision

Rev A

Form

INST-899

Printing Spec: PS-001



These instructions cover the installation of Gamber-Johnson vehicle base for 2019+ Ford Ranger pickup trucks.

Product Mounting Disclaimer

Gamber-Johnson is not liable under any theory of contract or tort law for any loss, damage, personal injury, special, incidental or consequential damages for personal injury or other damage of any nature arising directly or indirectly as a result of the improper installation or use of its products in vehicle or any other application. In order to safely install and use Gamber-Johnson products full consideration of vehicle occupants, vehicle systems (i.e., the location of fuel lines, brake lines, electrical, drive train or other systems), air-bags and other safety equipment is required. Gamber-Johnson specifically disclaims any responsibility for the improper use or installation of its products not consistent with original vehicle manufactures specifications and recommendations, Gamber-Johnson product instruction sheets, or workmanship standards as endorsed through the Gamber-Johnson Certified Installer Program.

© Copyright 2019 Gamber-Johnson, LLC

If you need assistance or have questions, call Gamber-Johnson at 1-800-456-6868

To Install:

1. Remove the snap on covers, two front and two rear, on the passenger seat rail trim to expose the seat bolts and T20 screws holding the trim on.
2. Remove the two front seat bolts and T20 screws completely.
3. Loosen the rear seat bolts. Remove the T20 screw securing the rear trim on the outside seat rail. Remove the rear trim by sliding it backwards and loosening the plastic clip holding it. See FIG 1 below.
4. With the rear trim piece removed another T20 screw holds the outside rail front trim piece in place. Remove this screw and remove both front passenger seat trim pieces.
5. Slide the base between the floor and seat rails. Reinstall the front passenger seat bolts and tighten all seat bolts.
6. Attach the riser to the base using the 3/8-16 bolts and washers included in the hardware bag.



FIG 1 - Passenger Seat Rear Rail Trim Removal



FIG 2 - Passenger Seat Side/Front Trim Removal