



INSTALLATION INSTRUCTIONS

Product
7160-1303

Revision
Rev.B

Form
INST-869

FORKLIFT ANTENNA MOUNT

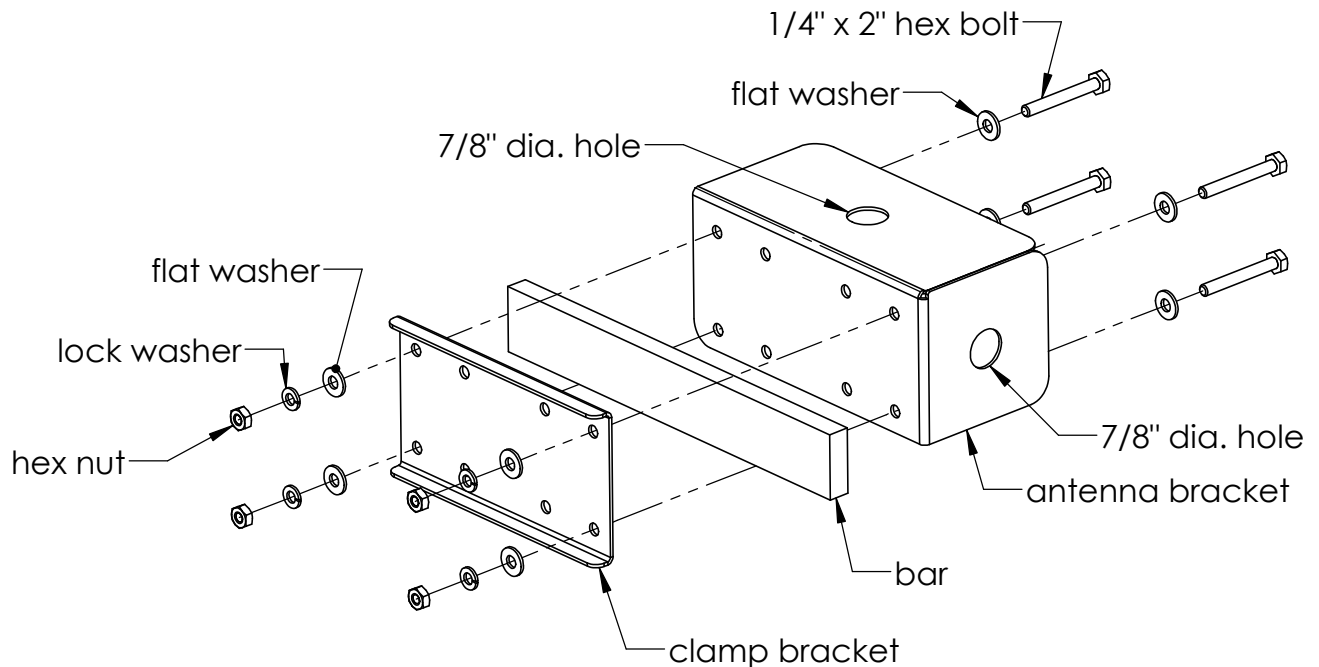
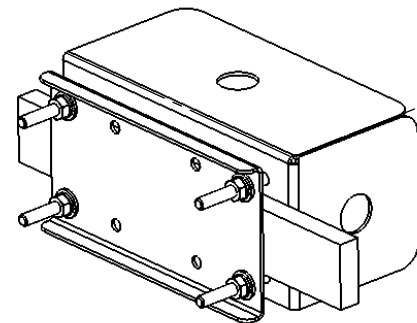
Printing Spec:PS-001

This instruction sheet is for mounting the Gamber-Johnson forklift antenna mount (7160-1303) only. For mounting other Gamber-Johnson products or the antennas being mounted, see their specific instruction sheets.

Attaching the mount:

1. The mount attaches to one of the bars on the overhead guard. Attach as shown below with the 1/4" hardware found in hardware bag 7120-0882. The mount can also be rotated 90 degrees for mounting on larger bars or tubes.

2. The antenna bracket has two 7/8" dia. holes for attaching the antenna (supplied by others).



Product Mounting Disclaimer

Gamber-Johnson is not liable under any theory of contract or tort law for any loss, damage, personal injury, special, incidental or consequential damages for personal injury or other damage of any nature arising directly or indirectly as a result of the improper installation or use of its products in vehicle or any other application. In order to safely install and use Gamber-Johnson products full consideration of vehicle occupants, vehicle systems (i.e., the location of fuel lines, brakes lines, electrical, drive train or other systems), air-bags and other safety equipment is required. Gamber-Johnson specifically disclaims any responsibility for the improper use or installation of its products not consistent with the original vehicle manufactures specifications and recommendations, Gamber-Johnson product instruction sheets, or workmanship standards as endorsed through the Gamber-Johnson Certified Installer Program.

© Copyright 2020 Gamber-Johnson, LLC

If you need assistance or have questions, call Gamber-Johnson at 1-800-456-6868