



# INSTALLATION INSTRUCTIONS

<b><u>Product</u></b> <b>7160-0910</b> <b>PANASONIC CF33 LAPTOP CRADLE</b>	<b><u>Revision</u></b> Rev. D	<b><u>Form</u></b> INST-762  Printing Spec: PS-001
--	----------------------------------	---

This instruction sheet is for the Panasonic CF33 Laptop cradle only. For instructions on features, set-up, and operation of the computer, please refer to the manual provided by Panasonic with the computer.

This cradle is designed to be used with a variety of Gamber-Johnson mounting systems. Installation instructions for other Gamber-Johnson products are provided with each individual product.

This instruction sheet is for the following products:

**Item No. 7160-0910-00** No RF



**Product Mounting Disclaimer**

Gamber-Johnson is not liable under any theory of contract or tort law for any loss, damage, personal injury, special, incidental or consequential damages for personal injury or other damage of any nature arising directly or indirectly as a result of the improper installation or use of its products in vehicle or any other application. In order to safely install and use Gamber-Johnson products full consideration of vehicle occupants, vehicle systems (i.e., the location of fuel lines, brakes lines, electrical, drive train or other systems), air-bags and other safety equipment is required. Gamber-Johnson specifically disclaims any responsibility for the improper use or installation of its products not consistent with the original vehicle manufactures specifications and recommendations, Gamber-Johnson product instruction sheets, or workmanship standards as endorsed through the Gamber-Johnson Certified Installer Program.

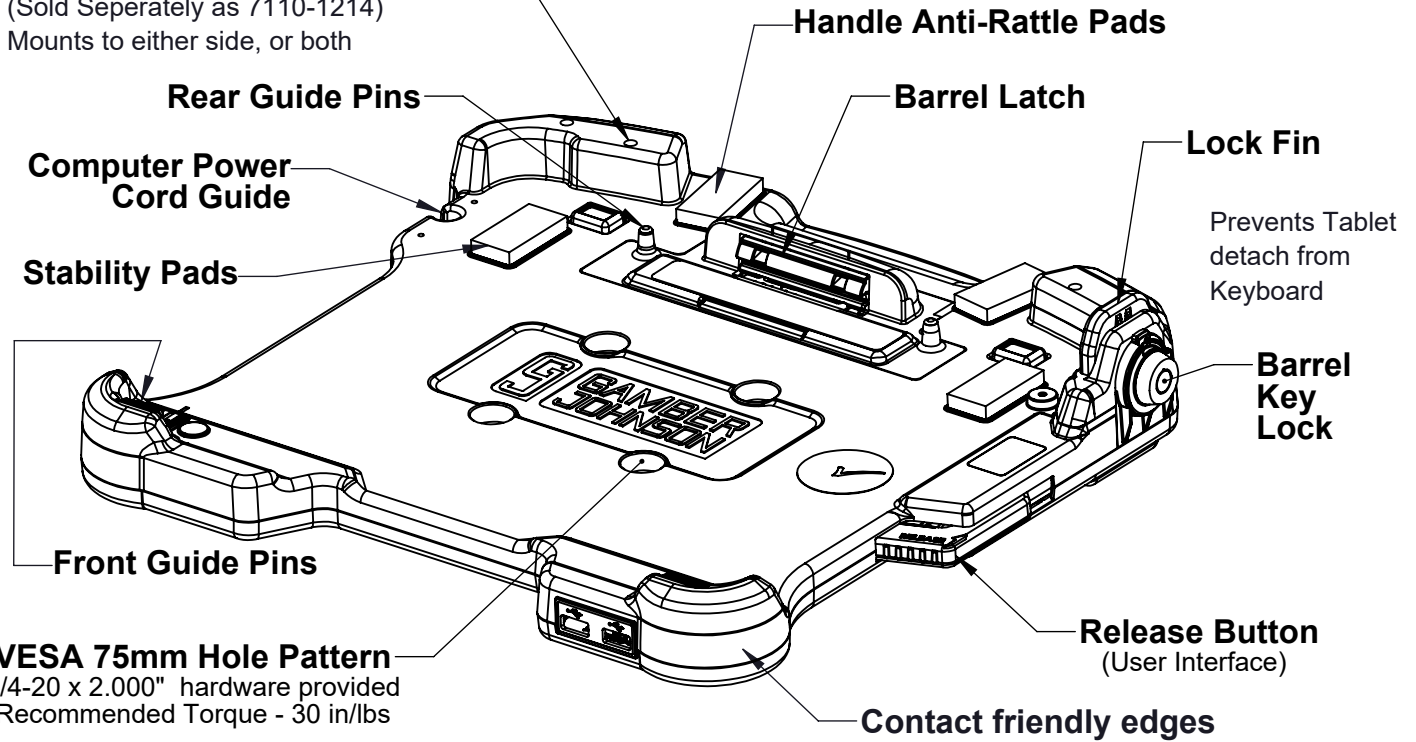
© Copyright 2017 Gamber-Johnson, LLC

If you need assistance or have questions, call Gamber-Johnson at 1-800-456-6868

# PANASONIC CF33 LAPTOP DOCK FEATURE IDENTIFICATION

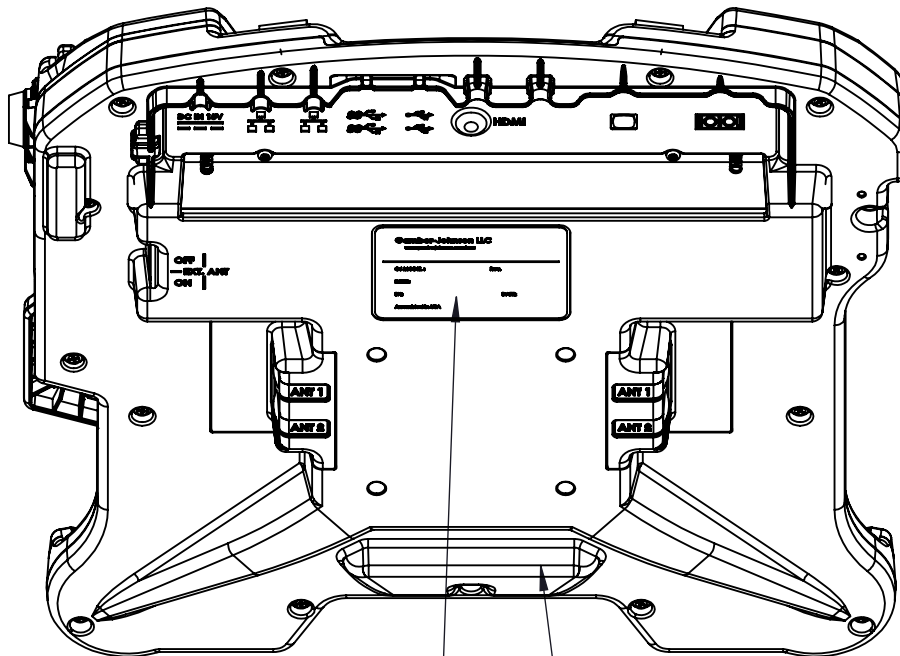
## Screen Support mount location

(Sold Separately as 7110-1214)  
Mounts to either side, or both



## VESA 75mm Hole Pattern

1/4-20 x 2.000" hardware provided  
Recommended Torque - 30 in/lbs



# DOCKING AND UNDOCKING THE COMPUTER

## TO DOCK THE COMPUTER

1. Insert the front of the computer into the front blue guide pins of the dock. Arrows on the dock point to the direction of installation. The round corner walls and plastic features will guide the computer into place.
2. Rotate the rear of the computer onto the dock, squeeze on both corners, overcoming the resistance until the Release Button returns to the "Latched" position. The grooves on the button line up with the lower groove on the dock. There will also be an audible confirmation as the latch system springs downward.
3. With the dock in the "Latched" position, turn the lock to the "LOCKED" position (Clockwise). The Lock Fin will move upward and block the tablet release button on the computer.



## TO UNDOCK THE COMPUTER

1. Turn the lock to the "UNLOCKED" position (Counter Clockwise). The Lock Fin will spring down.
2. Push up on the blue Release Button until the computer springs upward. There will be an audible recognition as well. At this point, the computer is free to be removed.
3. Remove the computer by pulling it away from the dock.

