

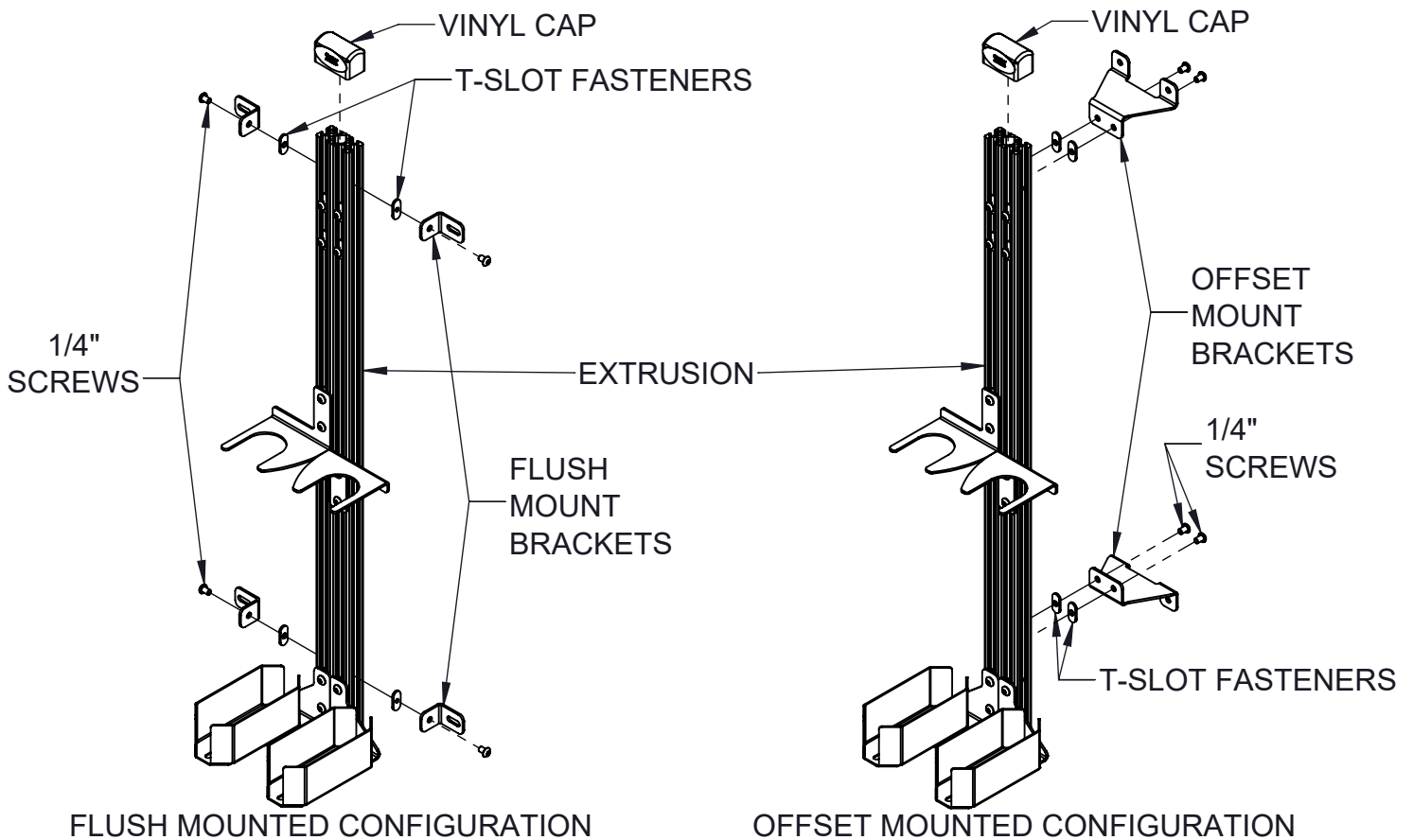


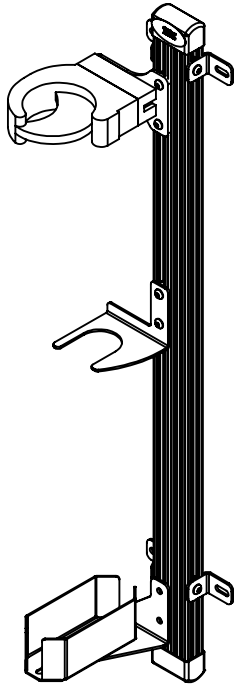
# INSTALLATION INSTRUCTIONS

<u>Product</u>	<u>Revision</u>	<u>Form</u>
7160-1097-01: GUN MOUNT, SINGLE LOCK	E	INST-819
7160-1097-02: GUN MOUNT, DOUBLE LOCK		
7160-1098-01: GUN MOUNT, SINGLE, NO LOCK		
7160-1098-02: GUN MOUNT, DOUBLE, NO LOCKS		
<b>Printing Spec:</b> PS-001		

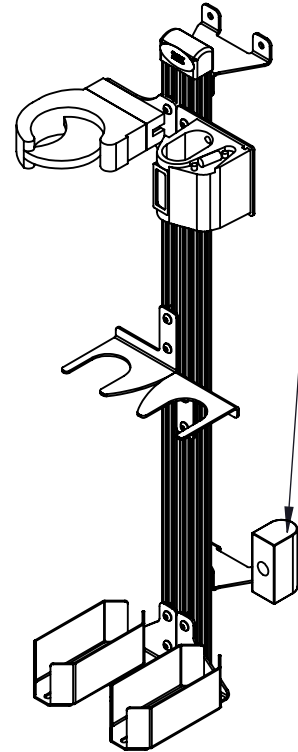
THE GAMBER-JOHNSON SINGLE AND DOUBLE GUN MOUNTS ARE DESIGNED TO BE INTERNALLY MOUNTED TO A VEHICLE PARTITION OR ANY FLAT SURFACE.

- CHOOSE DESIRED MOUNTING CONFIGURATION HARDWARE (FLAT OR OFFSET).
- REMOVE THE UPPER VINYL CAP.
- LOOSELY ASSEMBLE DESIRED BRACKETS WITH PROVIDED 1/4" SCREWS AND T-SLOT FASTENERS.
- SLIDE ASSEMBLED BRACKETS INTO MATING SLOTS IN THE EXTRUSION AS SHOWN BELOW.
- REPLACE UPPER VINYL CAP TO THE TOP OF THE EXTRUSION.
- ALIGN GUN MOUNT AND ADJUST MOUNTING BRACKETS TO DESIRED LOCATION(S).
- SECURE GUN MOUNT TO DESIRED LOCATION USING 1/4" HARDWARE (NOT INCLUDED).
- USE A 5/32" HEX KEY TO TIGHTEN MOUNTING BRACKETS TO THE EXTRUSION.
- ADJUST ANY NECESSARY BRACKETS TO PROPERLY FIT DESIRED FIREARM(S).





7160-1097-01 FLUSH MOUNTED CONFIGURATION



INSERTS CAN BE ADDED TO ACCOMODATE RIFLES

7160-1097-02 OFFSET MOUNTED CONFIGURATION



7160-1098-01 FLUSH MOUNTED CONFIGURATION

7160-1098-01 AND 7160-1098-02 ARE CONFIGURABLE TO WORK WITH VARIOUS STYLES OF LOCKS SOLD BY GAMBER-JOHNSON. ADDITIONAL ASSEMBLY OF THE LOCK AND LOCK MOUNTING PLATE IS REQUIRED.



7160-1098-02 OFFSET MOUNTED CONFIGURATION