



INSTALLATION INSTRUCTIONS

Product

7160-1486

TABLET PIVOTING AMPS MOUNT

Revision

Rev A

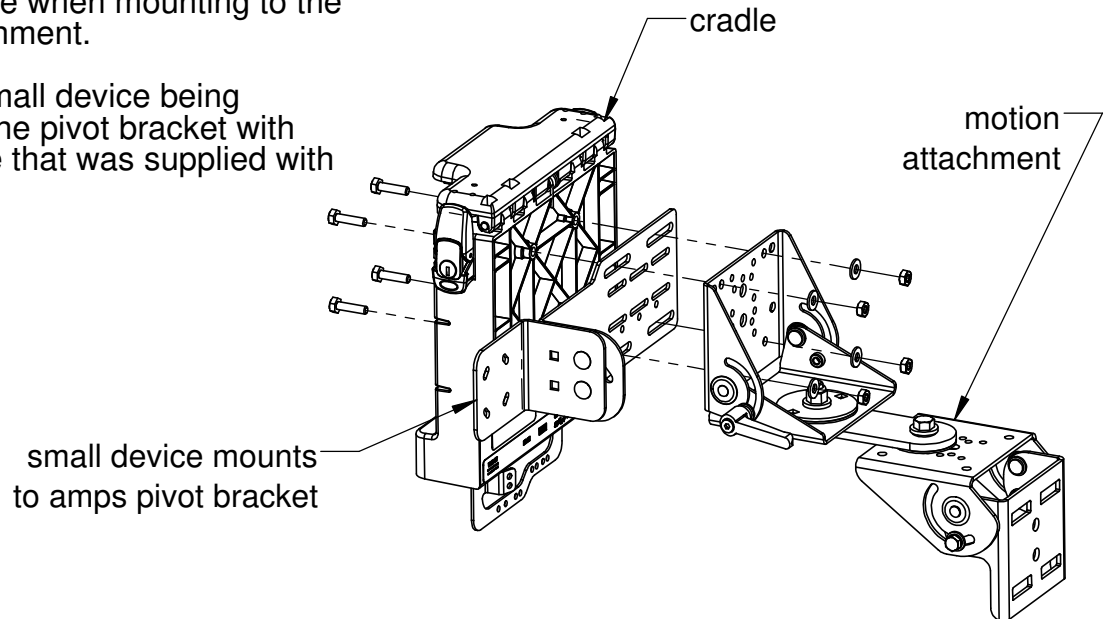
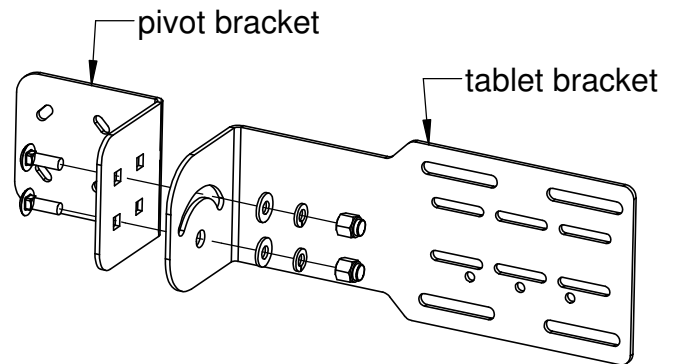
Form

INST-962

Printing Spec: PS-001

This instruction sheet is for mounting the 7160-1486 (tablet pivoting amps mount). The mount is designed to hold small devices with the AMPs hole pattern alongside a tablet docking station or cradle.

1. The tablet pivot amps mount comes assembled as show. The pivot bracket can be rotated or disassembled and reattached in multiple orientations using the square holes provided in the pivot bracket. Pick the orientation that best fits the device your mounting for your applicaiton.
2. The tablet pivot amps mount attaches between the computer cradle and the motion attachment. Use the hardware supplied with the dock or cradle when mounting to the motion attachment.
3. Attach the small device being mounted to the pivot bracket with the hardware that was supplied with the device.



Product Mounting Disclaimer

Gamber-Johnson is not liable under any theory of contract or tort law for any loss, damage, personal injury, special, incidental or consequential damages for personal injury or other damage of any nature arising directly or indirectly as a result of the improper installation or use of its products in vehicle or any other application. In order to safely install and use Gamber-Johnson products full consideration of vehicle occupants, vehicle systems (i.e., the location of fuel lines, brake lines, electrical, drive train or other systems), air-bags and other safety equipment is required. Gamber-Johnson specifically disclaims any responsibility for the improper use or installation of its products not consistent with original vehicle manufactures specifications and recommendations, Gamber-Johnson product instruction sheets, or workmanship standards as endorsed through the Gamber-Johnson Certified Installer Program.

© Copyright 2019 Gamber-Johnson, LLC

If you need assistance or have questions, call Gamber-Johnson at 1-800-456-6868