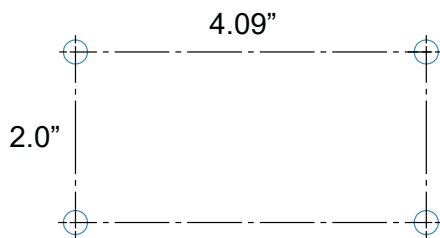


GAMBER-JOHNSON HOLE PATTERNS

Gamber-Johnson's range of hole patterns ensure that you always have the correct fit for your motion attachment or Zirkona mounting solution making installation frustration free. Each product has been pre-drilled with the proper hole pattern to save the installer time and to ensure that each solution meets Gamber-Johnson's rugged and reliable standards so you can be confident in your solution for the long haul.

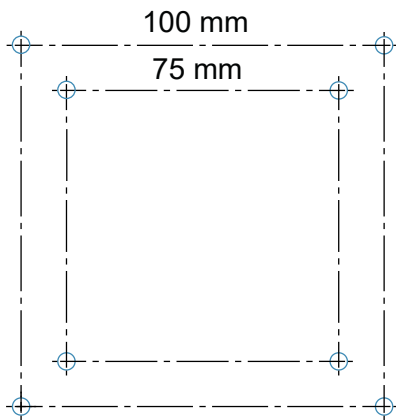


GAMBER-JOHNSON HOLE PATTERN

The Gamber-Johnson Hole Pattern is a 2x4 pattern specific to Gamber-Johnson products.

Where Used:

You will find the Gamber-Johnson Hole Pattern on the NotePad™ V Universal Cradle, on older versions of Gamber-Johnson docking stations and cradles, and on most motion attachments. It is used to mount the motion attachment to the docking station or cradle.

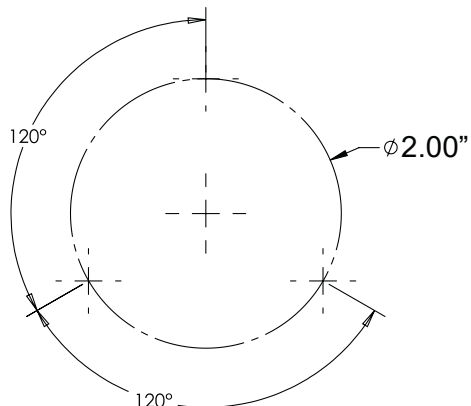


VESA 75 MM AND 100 MM HOLE PATTERN

The VESA 75 mm and 100 mm Hole Pattern is part of a family of standards as defined by the Video Electronics Standards Association for mounting flat panel monitors, TVs, and other displays to stands or wall mounts. VESA Pattern consists of four screws arranged in a square, with the horizontal and vertical distance between the screw centers.

Where Used:

You will find VESA 75 mm Hole Pattern on almost all Gamber-Johnson docking stations, on the Zirkona VESA device and base plate, and on certain motion attachments used to mount displays or docking stations (i.e. Mongoose Locking Slide Arm, Clam Shell for Material Handling or on the Universal Adapter Plate).



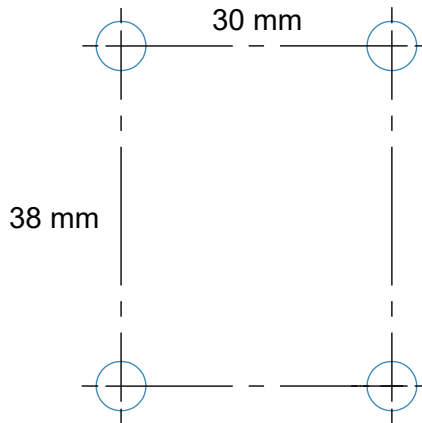
3-HOLE PATTERN

The center hole of the 3-Hole Pattern easily aligns the motion attachment while still allowing for a full range of motion.

Where Used:

The 3-Hole Pattern can be found on all newer console boxes (i.e. 7160-1335 and 7160-1446) and upper poles (7160-0178 and QADJ-UPPER-M).

GAMBER-JOHNSON HOLE PATTERNS

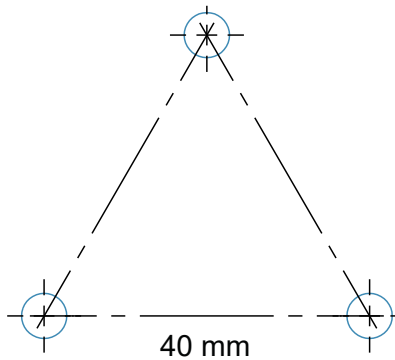


AMPS HOLE PATTERN

Most electronics manufacturers have adopted a common hole pattern for mounting their devices. This pattern is often called an AMPS Hole Pattern. This is a rectangular pattern measuring 30 X 38 mm.

Where Used:

You will find the AMPS Hole Pattern on smaller tablet and hand held Gamber-Johnson docking stations and cradles, on Zirkona round base plates, and on certain motion attachments used to mount displays (i.e. any Clam Shell for Material Handling or on most Clevis motion attachments like 7160-0775).



NEC TRIANGLE HOLE PATTERN

Electronics manufacturers have adopted a common hole pattern for mounting their devices. This pattern is often called a NEC Triangle Hole Pattern. This is a triangle pattern measuring 40 mm on each side. Most often the NEC and AMPS pattern are found on the same mounting device.

Where Used:

You will find the NEC Hole Pattern on Gamber-Johnson's Zirkona round base plates, and on certain motion attachments used to mount displays (i.e. any Clam Shell for Material Handling or most Clevis motion attachments like 7160-0775).