



INSTALLATION INSTRUCTIONS

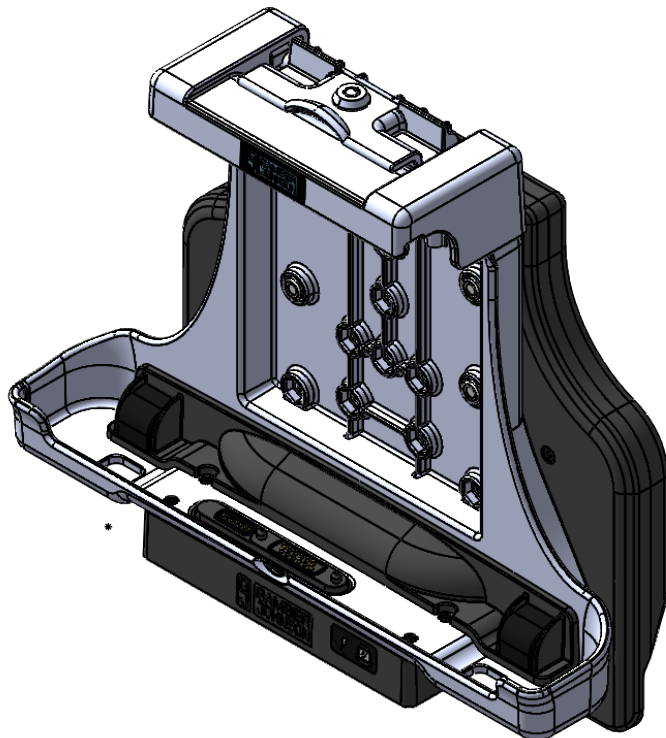
<u>Product</u>	<u>Revision</u>	<u>Form</u>
7160-1321 & 7160-1453 Zebra L10 Tablet Dock	A	INST-902
		Printing Spec: PS-001

This instruction sheet is for the Zebra L10 Tablet Dock only. For instructions on features, set-up, and operation of the computer, please refer to the manual provided by Zebra with the tablet.

This dock is designed to be used with a variety of Gamber-Johnson mounting systems. Installation instructions for other Gamber-Johnson products are provided with each individual product.

This instruction sheet is for the following products:

- Item No. 7160-1321-00**
- Item No. 7160-1321-01**
- Item No. 7160-1321-05**
- Item No. 7160-1453-00**
- Item No. 7160-1453-01**



Product Mounting Disclaimer

Gamber-Johnson is not liable under any theory of contract or tort law for any loss, damage, personal injury, special, incidental or consequential damages for personal injury or other damage of any nature arising directly or indirectly as a result of the improper installation or use of its products in vehicle or any other application. In order to safely install and use Gamber-Johnson products full consideration of vehicle occupants, vehicle systems (i.e., the location of fuel lines, brake lines, electrical, drive train or other systems), air-bags and other safety equipment is required. Gamber-Johnson specifically disclaims any responsibility for the improper use or installation of its products not consistent with original vehicle manufactures specifications and recommendations, Gamber-Johnson product instruction sheets, or workmanship standards as endorsed through the Gamber-Johnson Certified Installer Program.

© Copyright 2019 Gamber-Johnson, LLC

If you need assistance or have questions, call Gamber-Johnson at 1-800-456-6868

PRE-INSTALLATION RECOMMENDATIONS

Conduct a "Bench Test"

Gamber-Johnson strongly advises a "bench test" be conducted to verify all electronic and software issues are resolved prior to installation:

1. Make sure the computer is operational by itself.
2. Insert computer into the docking station and verify that the computer is operating in the dock.
3. Interconnect entire assembly and verify start-up of all components, including other equipment (printers, modems, scanners, etc.)

Gamber-Johnson recommends positioning of all mounts and equipment in the vehicle prior to the actual install to verify that mounting locations are safe and practical.

IMPORTANT SAFETY INFORMATION FOR INSTALLERS

Safety is dependent on the proper installation and servicing of this docking station. It is important to read and follow all instructions before installing this product.

To properly install a Gamber-Johnson docking station you must have a good understanding of automotive electrical procedures and systems, along with proficiency in the installation and service of aftermarket vehicle equipment.

There are no adjustments required at any time of the electrical components within the docking station. **Opening the docking station will void the product warranty.**

During Installation:

DO NOT connect this docking station to the vehicle battery until:

1. All other electrical connections are made
2. Mounting of all components is complete
3. Verification that no shorts exist in the entire system

DO NOT install equipment or route wiring or cords in the deployment path of any air bag.

When drilling into the vehicle, DO make sure that both sides of the surface are clear of anything that could be damaged.

CAUTION: *If wiring is shorted to the frame, high current conductors can cause hazardous sparks resulting in electrical fires or flying molten metal.*

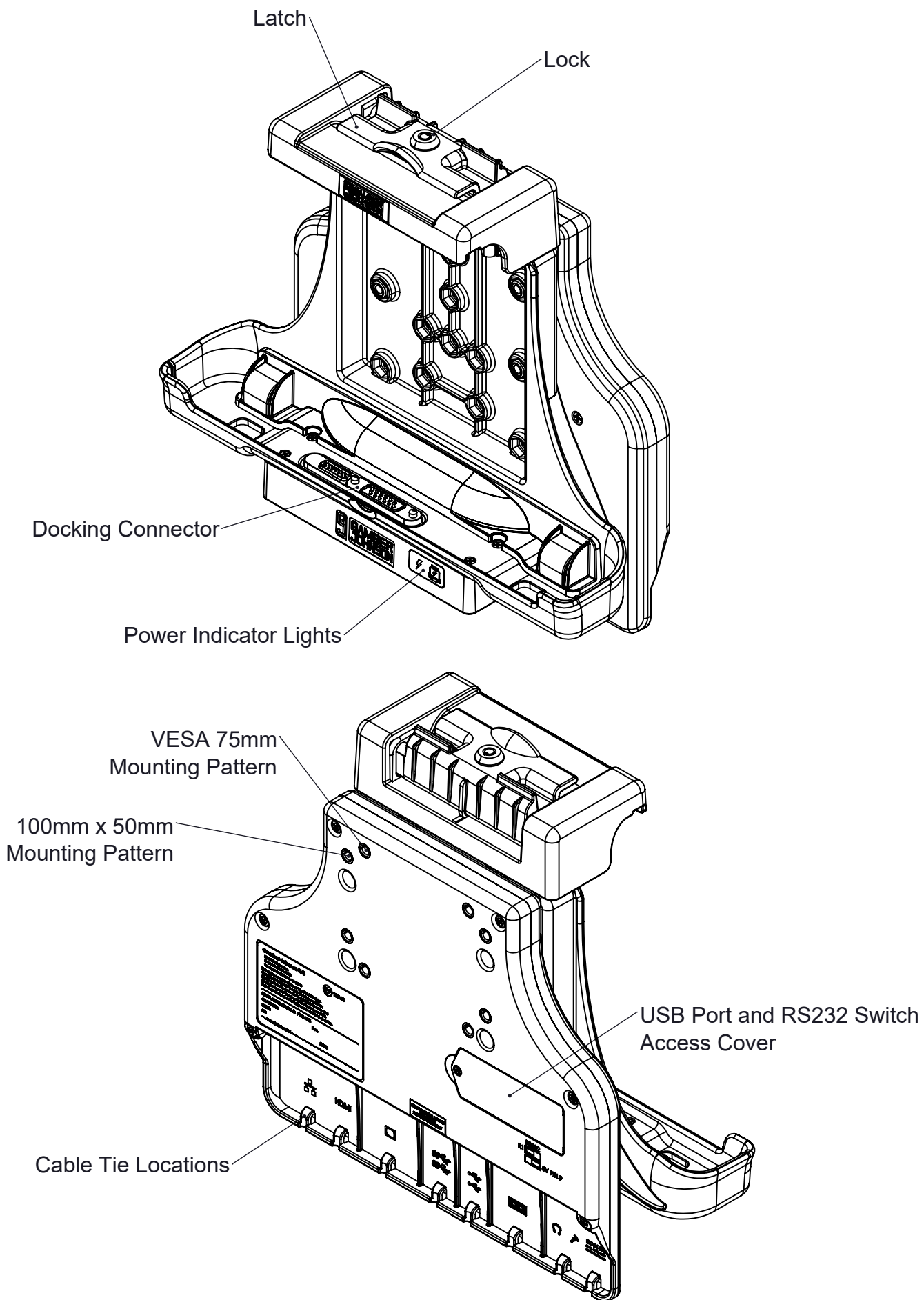
After installation:

Test the docking station to ensure that it is working properly.

File these instructions in a safe place and refer to them when performing maintenance or re-installing.

WARNING: *Failure to follow all safety precautions and instructions may result in property damage, serious injury, or death.*

ZEBRA L10 DOCKING STATION FEATURE IDENTIFICATION



ZEBRA L10 DOCKING STATION PORT REPLICATION

(1x) Ethernet RJ45
Not available on Android model

(1x) HDMI - 19 Pin
Not available on Android model

(1x) VGA - D-Sub 9 Pin
Not available on Android model

(2x) USB 3.0 - 9 Pin (900mA)
Function as USB 2.0 with Android

(2x) USB 2.0 - 4 Pin (500mA)

(1x) RS232 Serial - Power on Pin 9
See Page 5 for Details

(1x) Headphones/Speaker

(1x) Microphone

(1x) Power Input - 19V DC



The orientation of the ethernet port makes the cable release inaccessible by hand. Slide a zip tie or small screwdriver under the cable to release as shown at right.



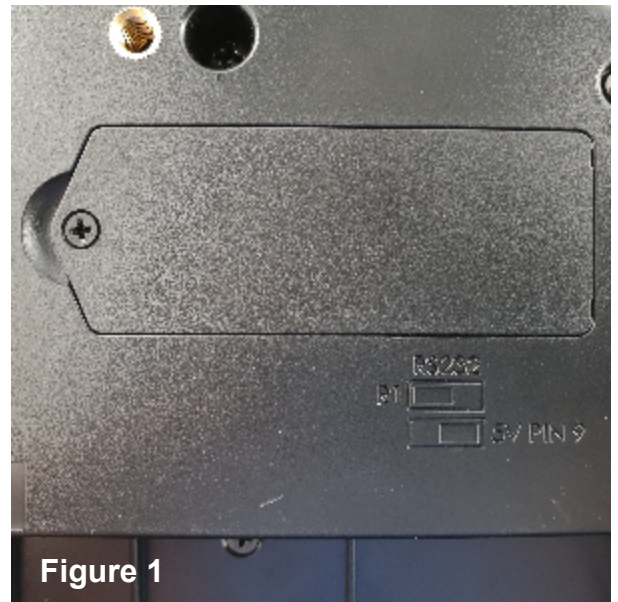
All cables should be secured to the dock using cable ties as illustrated at right



CHANGING RS232 SETUP

RS232 SWITCH ACCESS

1. Remove the screw that secures the back access panel in place (Figure 1)
2. Use needle nose pliers or tweezers to move the jumper to the desired position
3. The default jumper position is the left side to set Serial pin 9 to RI (Figure 2)
4. Alternatively, the bridge can be moved to the right side to set Serial pin 9 to 5V (Figure 3)
5. Close the access door and secure with the screw.



USB ACCESS

1. Remove the screw that secures the back access panel in place (Figure 1)
2. Insert the desired USB module. The module must be sized appropriately to fit inside the closed unit. Do not use this port for USB devices with a cable or devices that prevent the access door from being closed.
3. Close the access door and secure with the screw.



Do not use the dock with the rear access door open



DOCKING AND UNDOCKING THE TABLET

TO DOCK THE TABLET

1. Insert the bottom of the tablet into the docking station (Figure 1)
2. Rotate the top of the tablet into the dock (Figure 2)
3. While holding the tablet in place, pull the latch down into the closed position (Figure 3)
4. **Use the key to lock and secure the latch when the dock is in use**

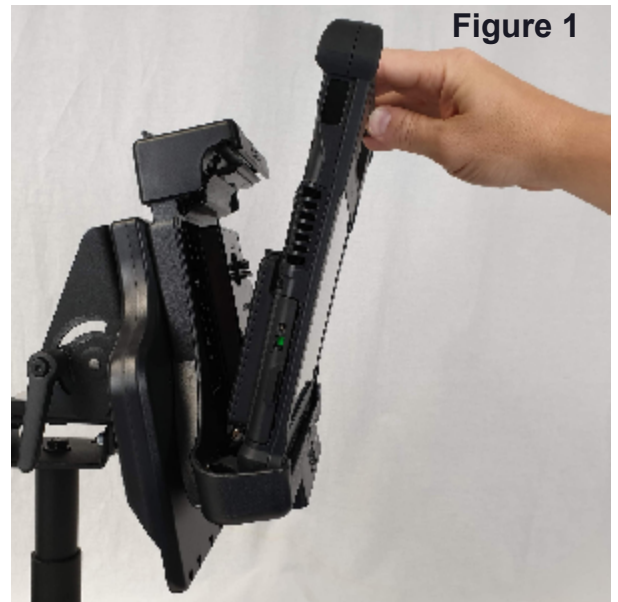


Figure 1



Figure 2

TO UNDOCK THE TABLET

1. Unlock the latch
2. Flip the latch up to release the tablet
3. Pull the tablet out of the dock from the top of the tablet



Figure 3

JOINING THE ZEBRA L10 MODULE TO A CRADLE

ASSEMBLY

1. Align the pogo connector with the cutout in the bottom of the cradle (see image at right).
2. Insert the front of the cradle first, then press the back of the cradle onto the docking module until it clicks into place.
3. Use the parts from the hardware bag labeled 7120-0941 to secure the module to the cradle.
4. The (4) #10 nuts fit into the locations marked in the image below with the letter A. Insert the #10 screws through the back of the docking module and thread them into the nuts on the front of the cradle.
5. The (4) #4 flat head screws thread into the module through the bottom of the cradle at the locations marked in the image below with the letter B.

Note: These images show a cradle with the RF pass-through module. The same assembly process should be used with cradles that do not include the RF unit.



Regulatory Certification Information

Regulatory Model #: 7160-1321, 7160-1543

GJ Model #'s: 7160-1321-00, 7160-1321-01, 7160-1321-05
7160-1543-00, 7160-1543-01

Descriptions: Dock-Zebra L10 Tablet

Certifications:

- EN 55032:2012/AC: 2013
- FCC 47 CFR Part 15B Class B
- AS/NZS CISPR 32: 2016
- VCCI-CISPR 32: 2016
- EN 50498:2010
- ECE R10 Rev.5
- IEC 62368-1(ed.2);am1;am2
- E-Mark

This device complies with Part 15 of the FCC Rules. Operation is subject to the following two conditions. (1) this device may not cause harmful interference, and (2) this device must accept any interference received, including interference that may cause undesired operation.



Gamber-Johnson LLC, 3001 Borham Ave., Stevens Point, WI, 54481, USA, 715-344-3482