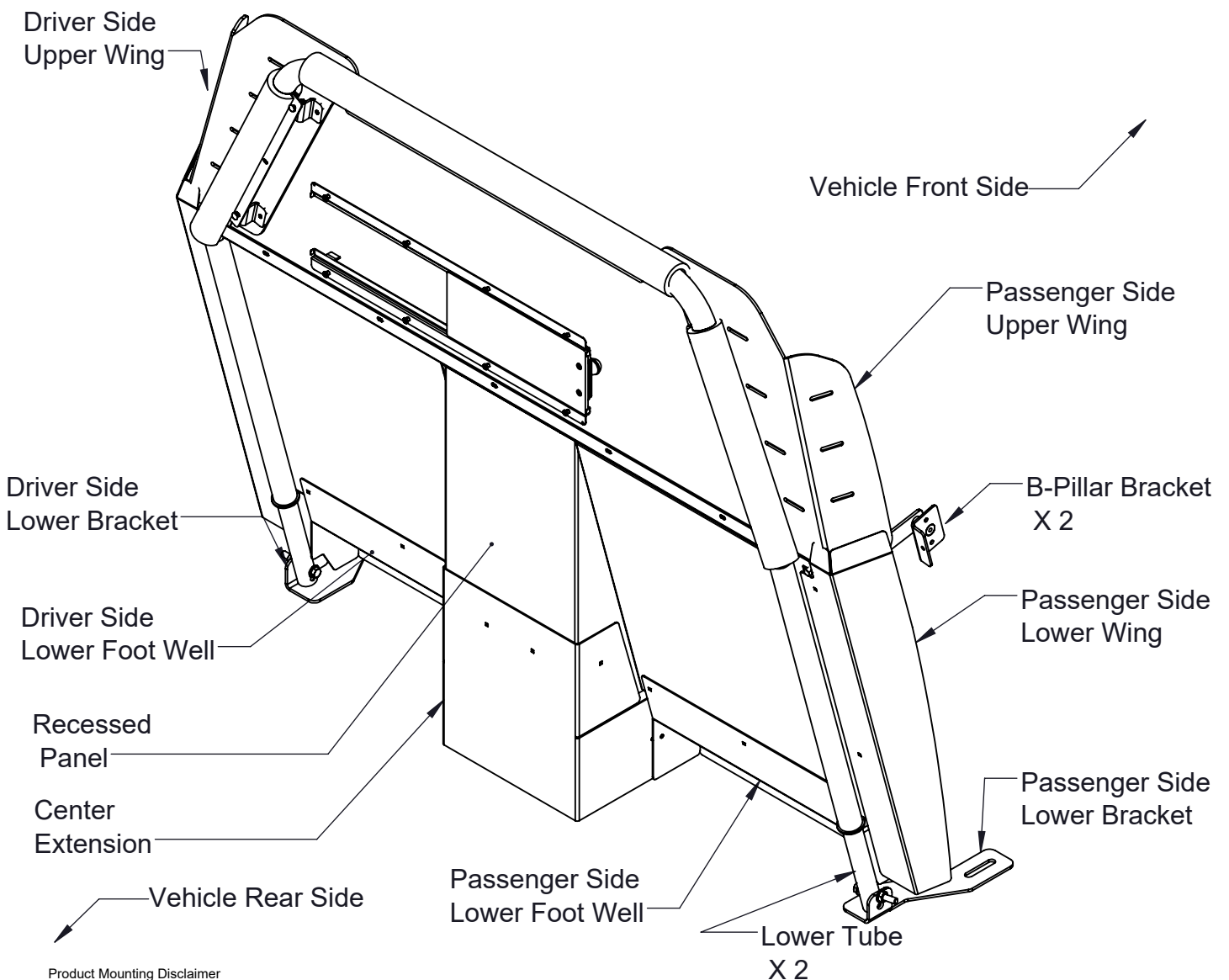




INSTALLATION INSTRUCTIONS

<u>Product</u> 7160-1402 INSTRUCTION SHEET 2015+ F-150 PASSENGER PARTITION	<u>Revision</u> Rev A	<u>Form</u> INST-0987
Printing Spec: PS-001		

WARNING: Locate all wiring, fuel lines, brake lines, coolant lines & refrigerant lines before drilling any holes or installing any self-drilling fasteners.



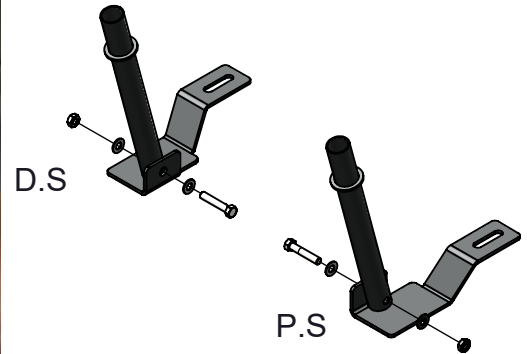
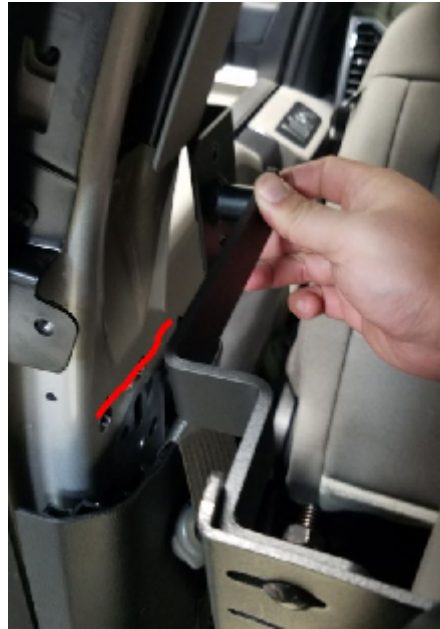
Product Mounting Disclaimer

Gamber-Johnson is not liable under any theory of contract or tort law for any loss, damage, personal injury, special, incidental or consequential damages for personal injury or other damage of any nature arising directly or indirectly as a result of the improper installation or use of its products in vehicle or any other application. In order to safely install and use Gamber-Johnson products full consideration of vehicle occupants, vehicle systems (i.e., the location of fuel lines, brake lines, electrical, drive train or other systems), air-bags and other safety equipment is required. Gamber-Johnson specifically disclaims any responsibility for the improper use or installation of its products not consistent with original vehicle manufactures specifications and recommendations, Gamber-Johnson product instruction sheets, or workmanship standards as endorsed through the Gamber-Johnson Certified Installer Program.

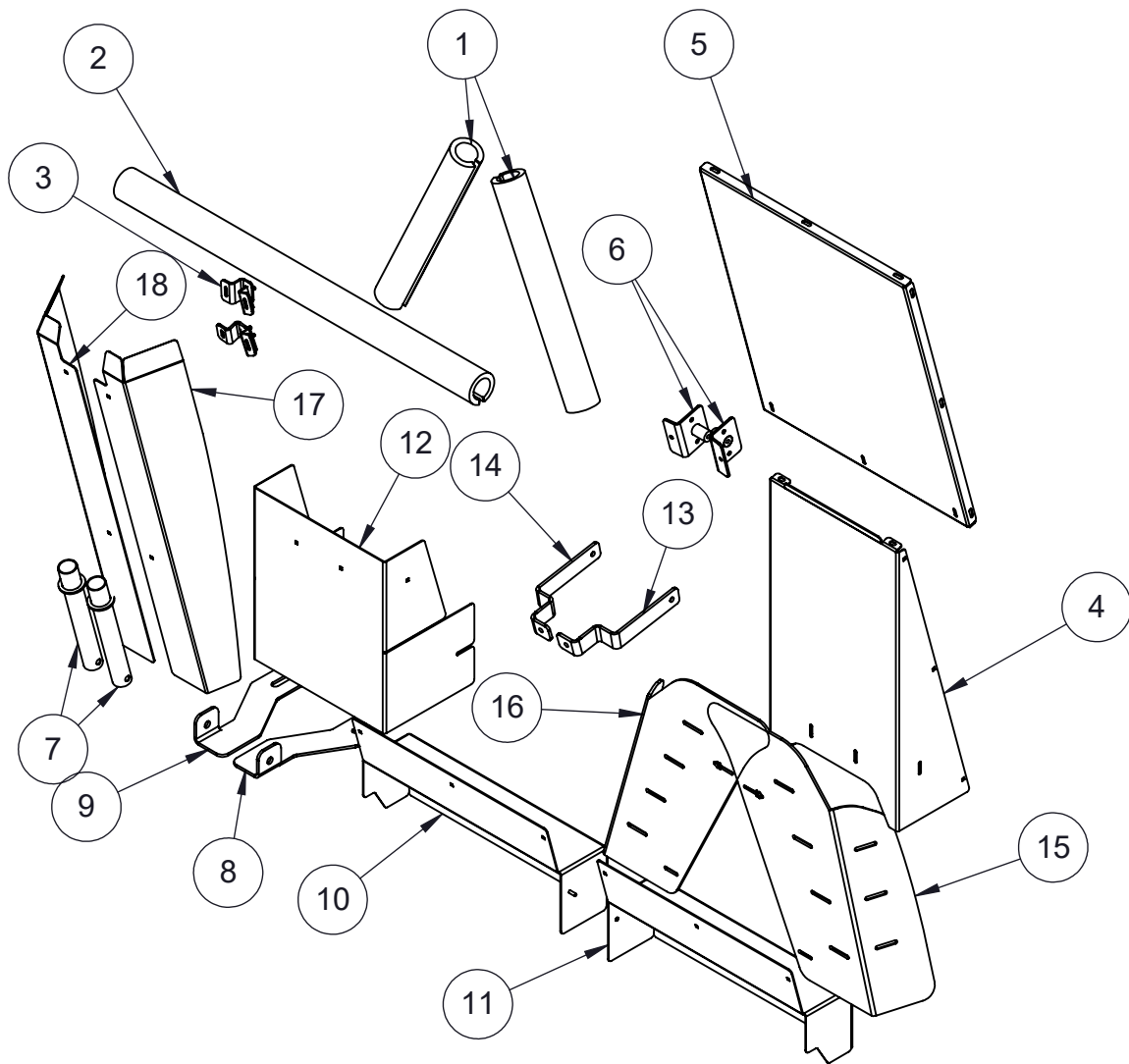
© Copyright 2019 Gamber-Johnson, LLC

If you need assistance or have questions, call Gamber-Johnson at 1-800-456-6868

- 1) Slide & lean front driver & passenger seats forward.
- 2) Remove both rear seat bolts from each seat then slide passenger & driver side lower brackets underneath the seat track. Loosely reinstall the mounting bolts.
- 3) Loosely mount the lower tube to each of the passenger & driver side lower brackets using 3/8 hardware.
- 4) Remove the B-pillar trims both driver and passenger side. Remove the seat belt bolt installed to the B-pillar to remove trim.
- 5) Insert main frame into vehicle with sliding window knob facing towards front seats. Align main frame with lower tube and lower it onto them.
- 6) Attach foam padding 16" on the sides of main frame & 32" padding on top of main frame.
- 7) Install driver and passenger side B-Pillar brackets to main frame. Attach loosely using 1/4-20 Carriage bolts hardware.



- 8) Attach Gamber Johnson B-pillar plates to the driver and passenger side B-pillar brackets using 5/16 hardware supplied. Attach loosely.
- 9) Then mark up holes to drill B-Pillar plate to OEM B-Pillar by tilting the partition forward.
- 10) Once marked, unbolt the 5/16 hardware and drill the B-Pillar plate to vehicle OEM B-Pillar. To drill use 1/4-14 Self Drilling Screw that is supplied in the hardware bag. Place the Gamber Johnson B-Pillars such that the threaded hole faces towards the B-pillar trim. Cut a hole of 1" dia. On the Vehicle B-Pillar such that the threaded hole sticks out.
- 11) Tilt partition forward & loosely attach driver and passenger side B-Pillar brackets using 5/16 hardware to the B-Pillar plate.
- 12) Ensure partition is centered with vehicle & mitigate any gap between vehicle headliner and upper partition frame.
- 13) Fully tighten rear seat bolts, B-Pillar brackets and lower tube hardware to secure partition position.
- 14) Loosely attach driver and passenger side foot well to flat panel using #10-32 hardware.
- 15) Attach recessed panel to main frame. First install top two bolts and this will make it easy to install rest of bolts. Use #10-32 hardware supplied.
- 16) Finalize adjustments & tighten center extension. Fully tighten all hardware.
- 17) Install Lower Wings using #10-32 hardware. Ensure they are adjusted to minimize gaps along B-Pillar trim.
- 18) Attach Upper wings to upper wing bracket using #10-32 hardware, use washer. Make use of the slots to close gap between upper wings & vehicle trim.
- 19) At upper wings, centre extension & foot wells, use cap nuts supplied to avoid injuries.



ITEM	QTY	PartNo	DESCRIPTION
1	2	17762	SIDE PADDING 16"
2	1	18737	FOAM TUBE COVER 32"
3	4	18220	UPPER WING BRACKET
4	1	18323	RECESSED PANEL
5	1	18324	FLAT PANEL
6	2	17788	B-PILLAR PLATE
7	2	18903	LOWER TUBE WELDMENT 7.5"
8	1	18904	PASSENGER SIDE LOWER BRACKET
9	1	18905	DRIVER SIDE LOWER BRACKET
10	1	18942	FOOT WELL, DRIVER SIDE,
11	1	18943	FOOT WELL, PASSENGER SIDE
12	1	18944	CENTER EXTENSION
13	1	19301	PASSENGER SIDE UPPER BRACKET
14	1	19302	DRIVER SIDE UPPER BRACKET
15	1	19303	PASSENGER SIDE UPPER WING
16	1	19304	DRIVER SIDE UPPER WING
17	1	19305	PASSENGER SIDE LOWER WING
18	1	19306	DRIVER SIDE LOWER WING