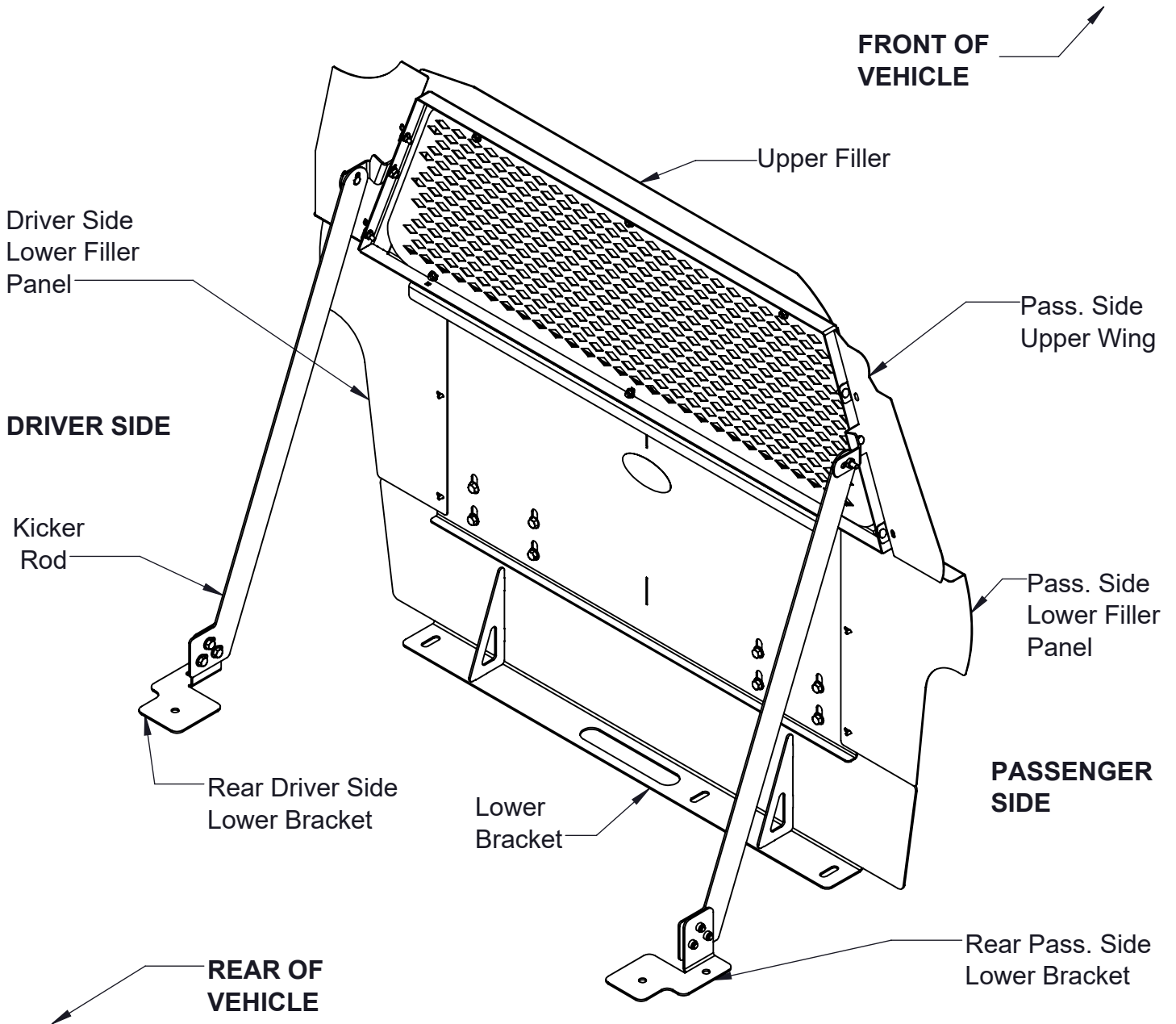




INSTALLATION INSTRUCTIONS

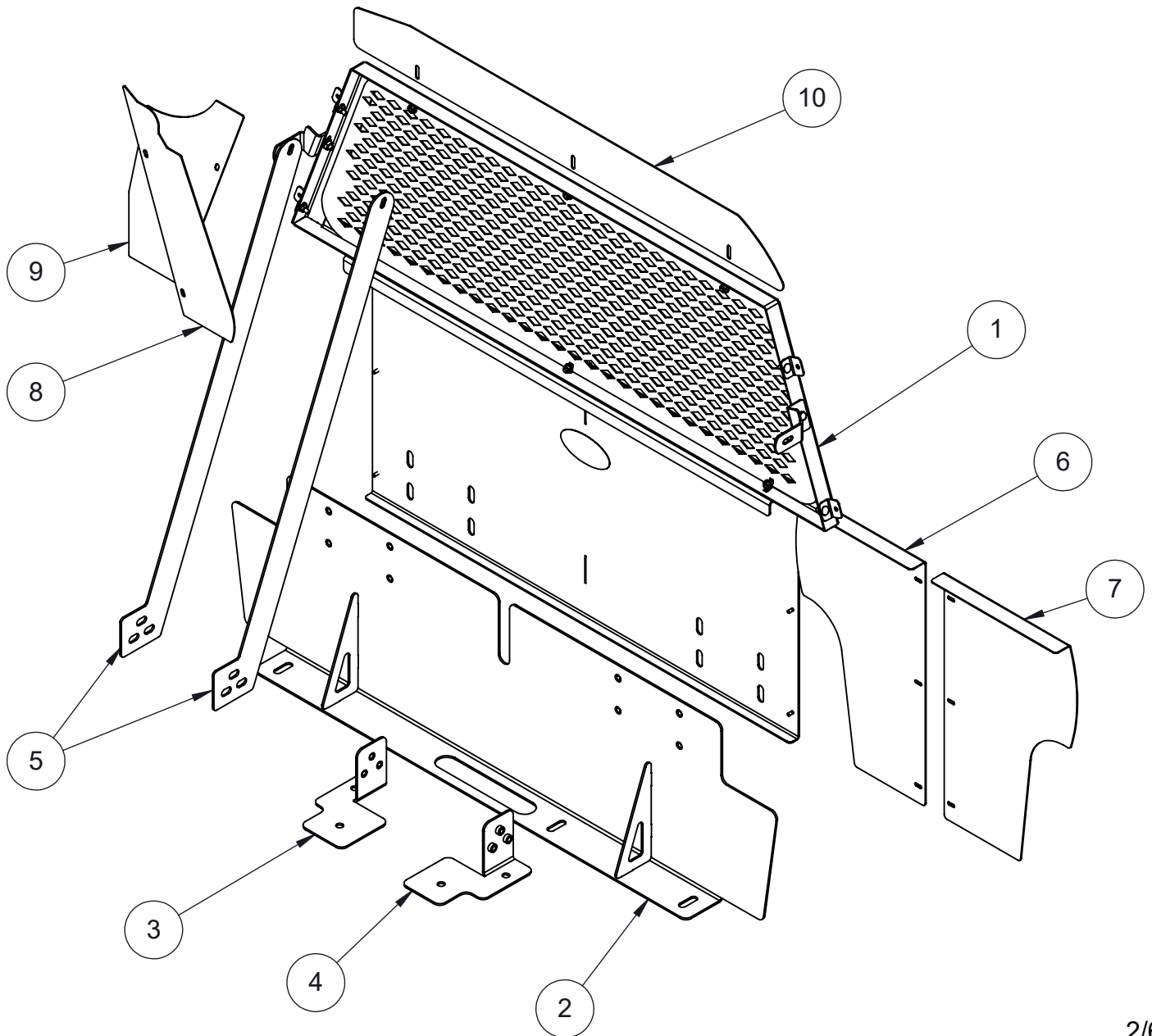
<u>Product</u> 7160-1557 2021+ TAHOE CARGO PARTITION	<u>Revision</u> Rev A	<u>Form</u> INST-1018 Printing Spec: PS-005
---	---------------------------------	--



Product Mounting Disclaimer

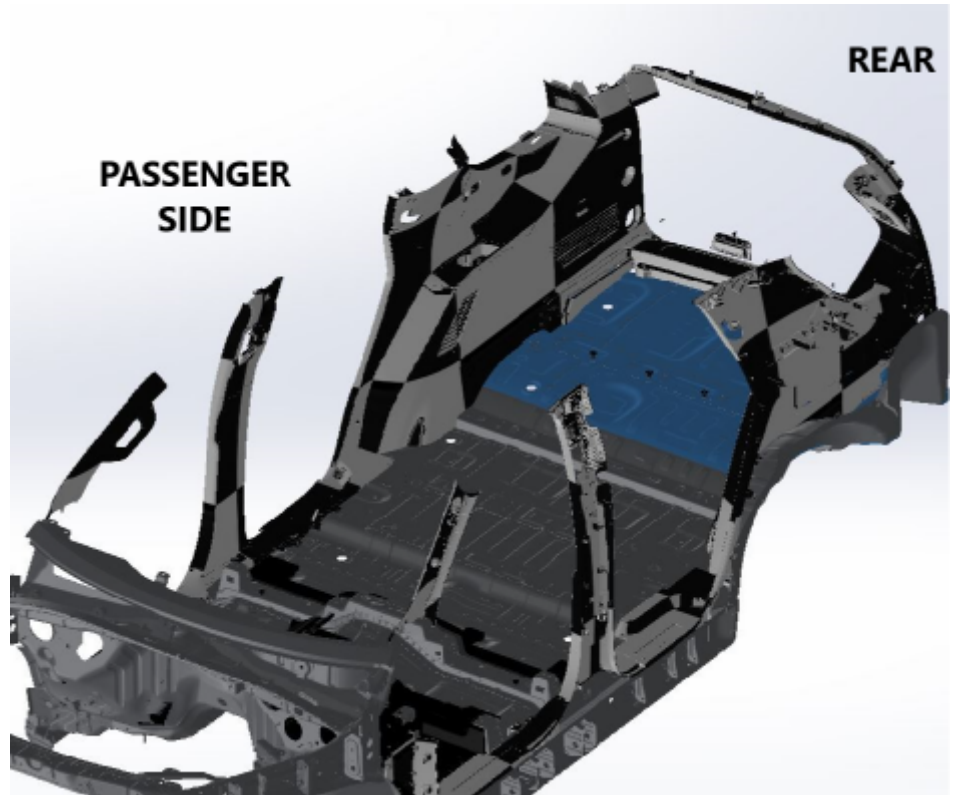
Gamber-Johnson is not liable under any theory of contract or tort law for any loss, damage, personal injury, special, incidental or consequential damages for personal injury or other damage of any nature arising directly or indirectly as a result of the improper installation or use of its products in vehicle or any other application. In order to safely install and use Gamber-Johnson products full consideration of vehicle occupants, vehicle systems (i.e., the location of fuel lines, brake lines, electrical, drive train or other systems), air-bags and other safety equipment is required. Gamber-Johnson specifically disclaims any responsibility for the improper use or installation of its products not consistent with original vehicle manufactures specifications and recommendations, Gamber-Johnson product instruction sheets, or workmanship standards as endorsed through the Gamber-Johnson Certified Installer Program.

ITEM	QTY	PartNo	DESCRIPTION
1	1	19496	MAIN FRAME
2	1	19666	LOWER BRACKET
3	1	19682	REAR DRIVER SIDE LOWER BRACKET
4	1	19683	REAR PASSENGER SIDE, LOWER BRACKET
5	2	19685	KICKER ROD
6	1	19708	DRIVER SIDE LOWER FILLER PANEL
7	1	19709	PASSENGER SIDE LOWER FILLER PANEL
8	1	19710	PASSENGER SIDE WING- MESH
9	1	19711	DRIVER SIDE WING-MESH
10	1	19812	UPPER FILLER
11	1	7120-0980	HARDWARE BAG



1. Unbolt the battery bracket hardware on the driver side by loosening the OEM Cargo Vinyl Cover. You do NOT have to Remove the Cover entirely. Repeat the step on passenger side. Get access to Four bolts as shown in Fig.02

Fig.1
Shows outline of
Frame



2. Install driver & passenger lower brackets (Item# 3 & 4) using hardware provided. You will have to cut 2" X 0.5" on vinyl cover for brackets to stick out for kicker rod (Item#5) to be installed later. (Fig.2 & Fig.3)

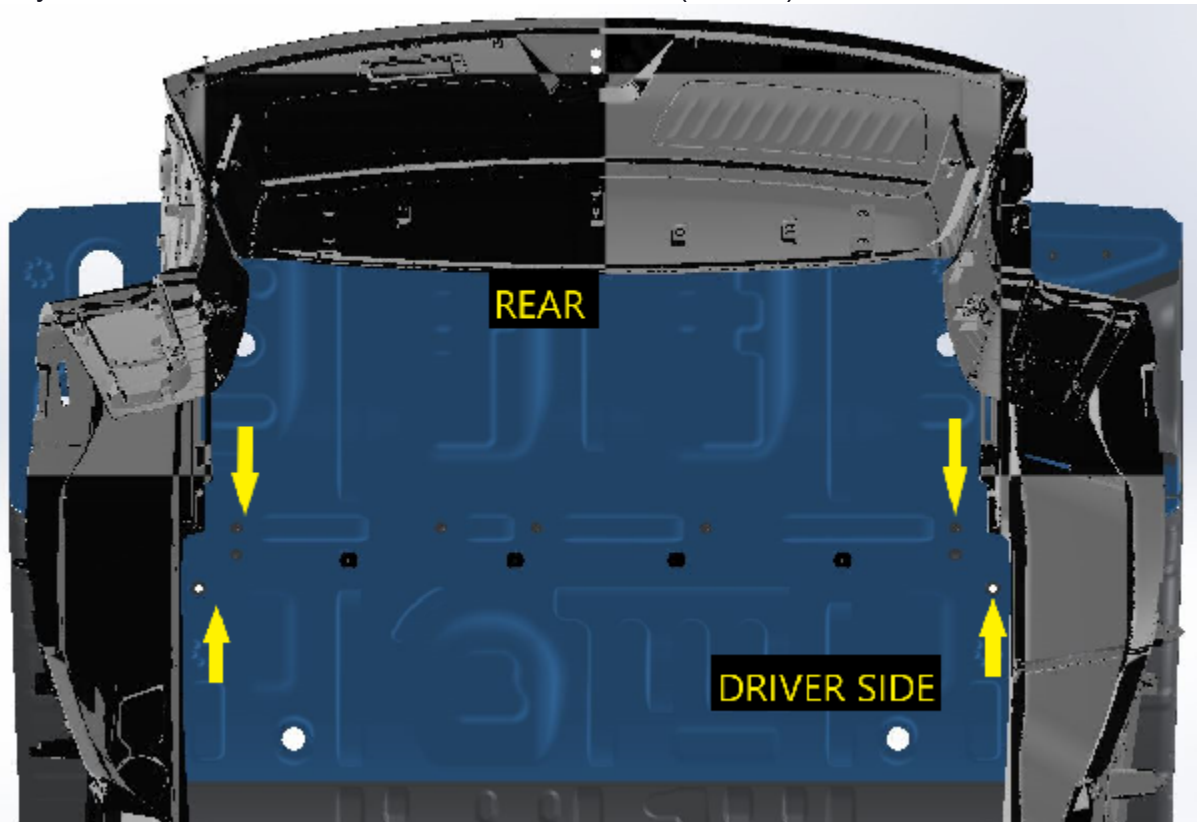


Fig.2

Shows the Top view of frame, Highlighted 4 arrows are mounting points for rear bracket/kicker rods

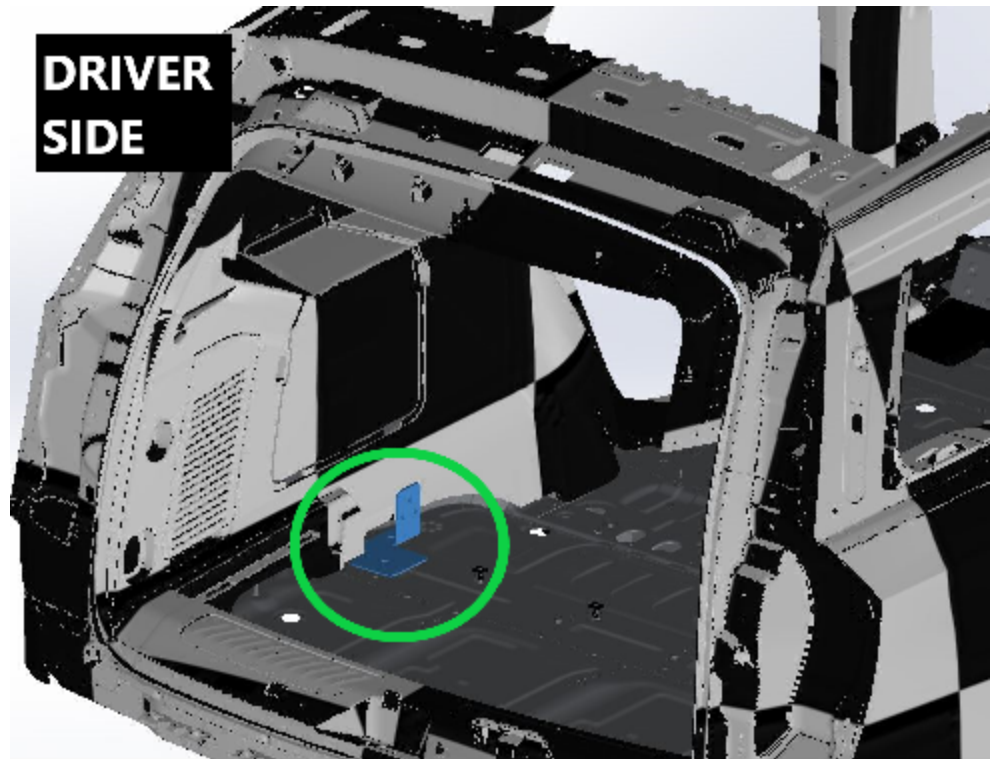


Fig.3
Rear Driver Lower Bracket
(Item#3) Installed

3) To Install lower base, mark up a point to locate the mounting point. Measure from the face of the (Item#3) to 15.45 in X 4.25 in towards Front side. Get access to the mounting point by cutting into OEM Vinyl Flooring. (Fig.4)

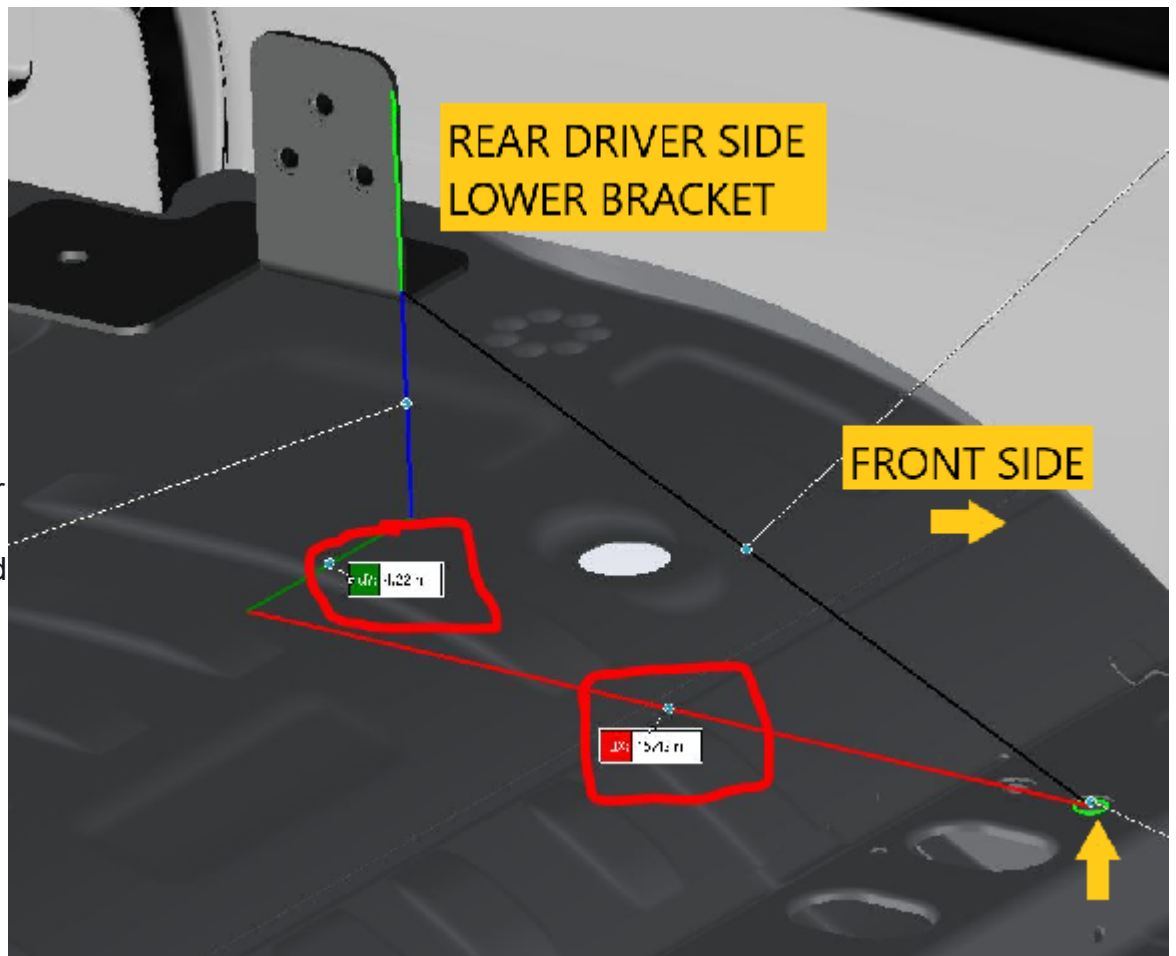


Fig.4
Rear Driver Lower Bracket
(Item#3) Installed

4. Once mounting location is found, align Lower Bracket (Item#2) to the hole as shown in Fig.5. Mark up other two holes of off Lower Bracket Slots (Item#2) & using hardware provided tie tie down lower bracket (Item#2) to OEM Frame.

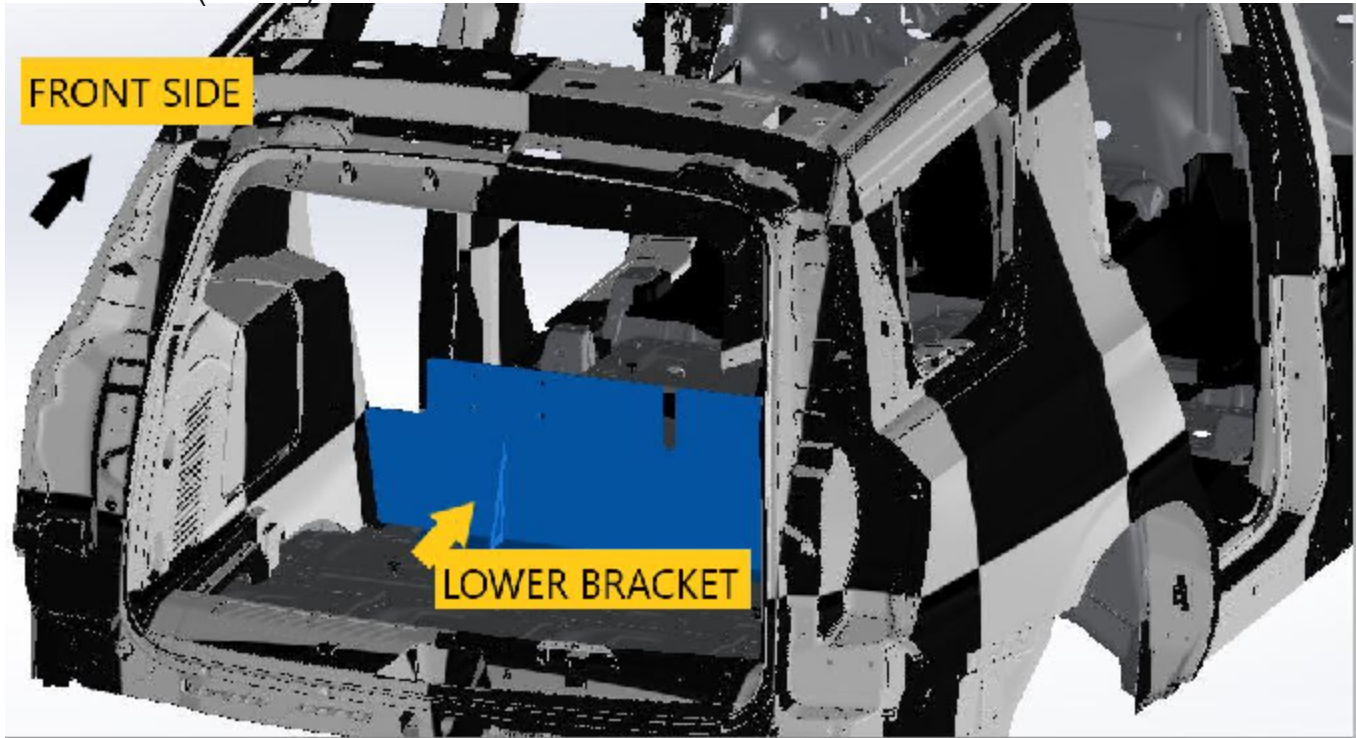


Fig.5 Lower Bracket (Item#2) Installed, viewing from rear

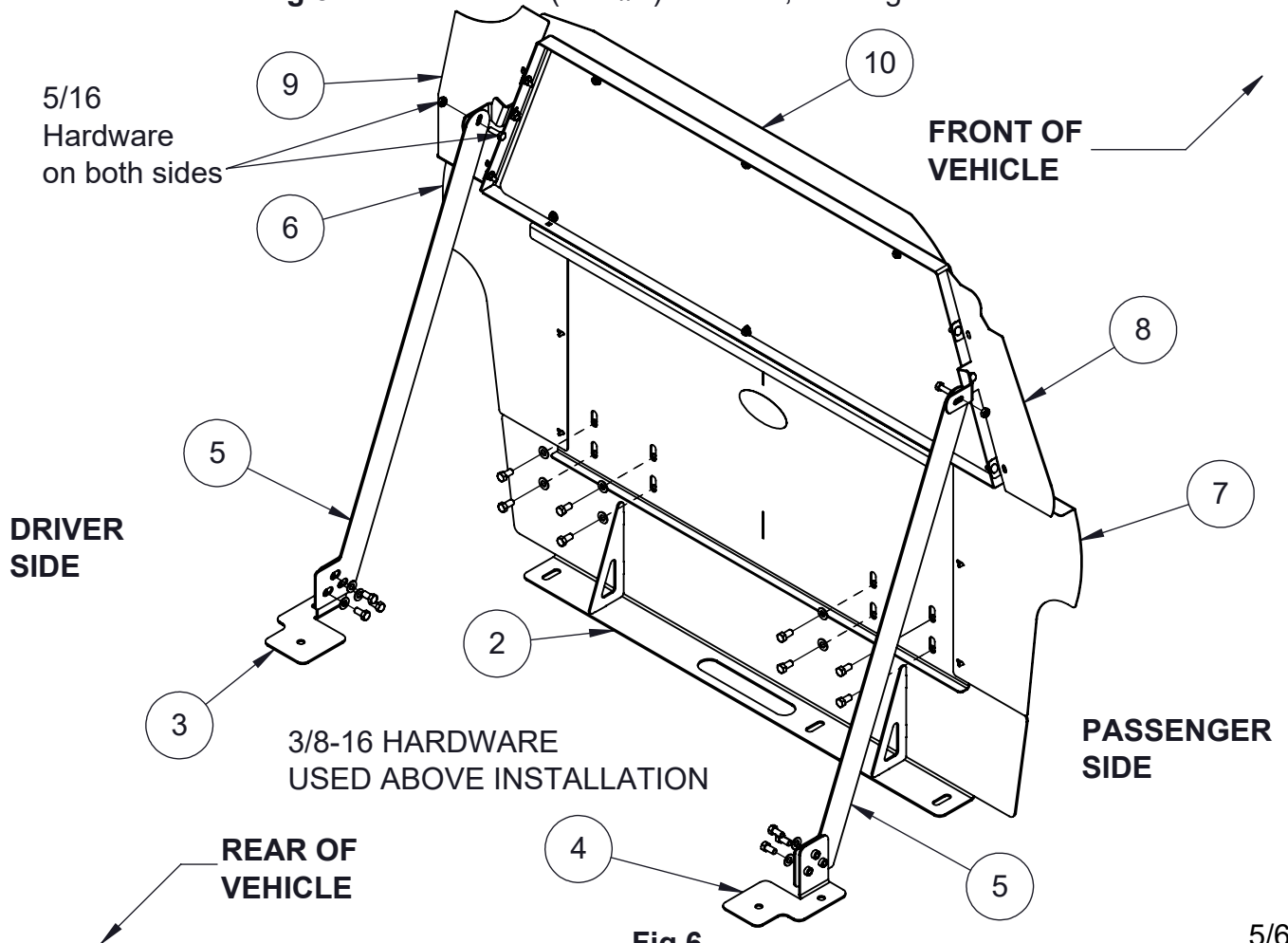


Fig.6

5. Place Main Frame(Item#1) inside vehicle such that label faces towards rear door. (Fig.6)
6. Using 3/8-16 hardware provided attach lower bracket (Item#2) to main frame (Item#1) (Fig.6)
7. Attach kicker rods (Item#5) to main frame (Item#1) ,See Fig.6 Using 5/8-16 hardware provided.
8. Ensure Main Frame (Item#1) is straight & tighten all the bolts.
- 9.Using 1/4-20 Hardware provided install driver and passenger side upper wing (Item#8, 9) to main frame (Item#1)
10. Using 10-32 hardware nuts provided install the driver and passenger side lower wings (Item#6 & Item#7) to the main frame (item#1)
11. Remove three 1/4-20 bolts on Main Frame (Item#1) and reinstall upper filler panel (Item# 10) (Fig.7)



Fig.7