

### DPW Series Racks

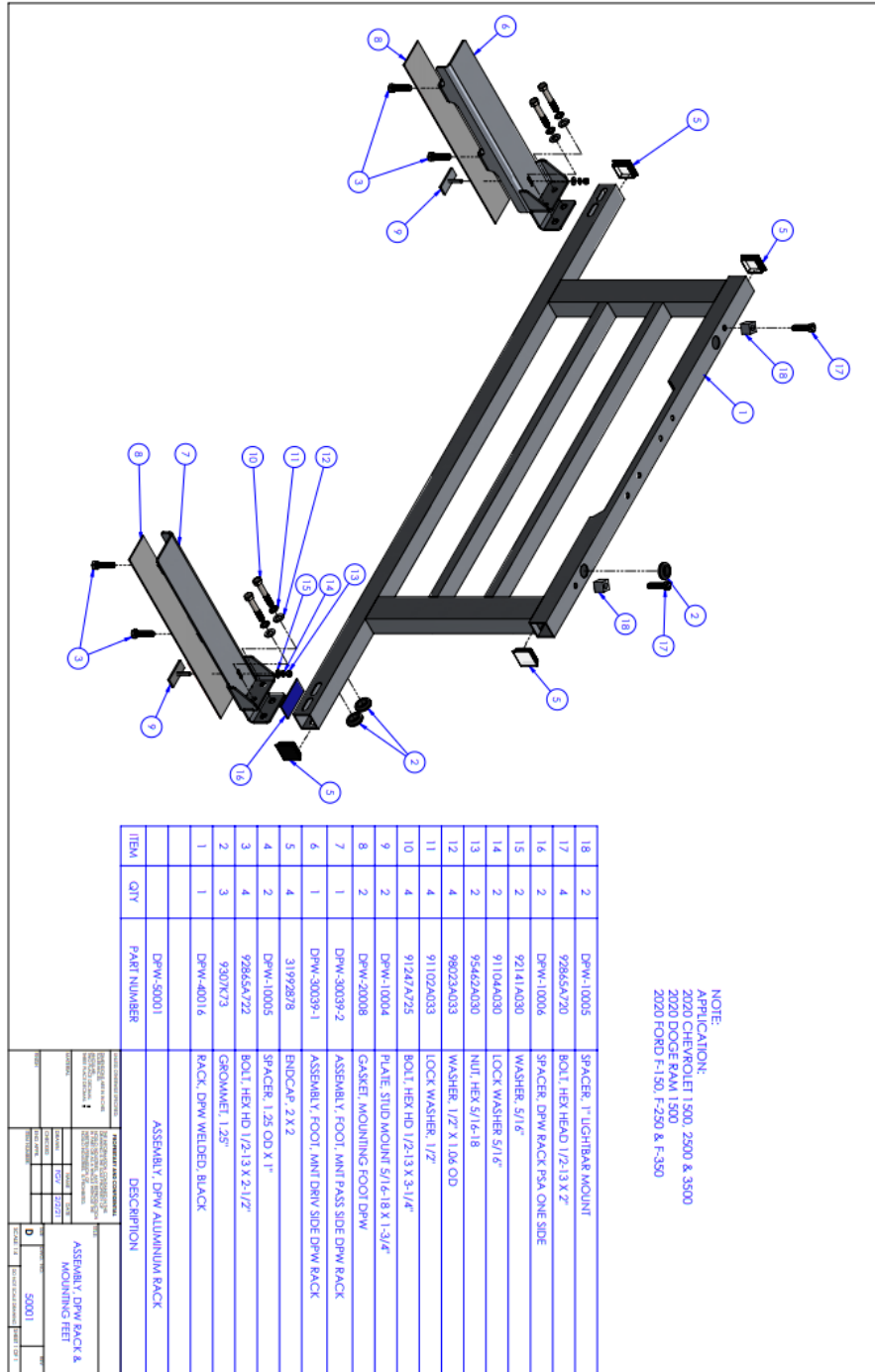
\*Note: The DPW Rack is a one size fits all for the 2020 – 2021 Model year for Chevy/GMC, Dodge & Ford Pickup Series Vehicles

\*\*Note: Your Rack is tubular design with open channels for routing wiring for accessories mounted to the rack

\*\*\*Note Your Rack is not intended to be mounted forward of the vertical plane created by the exterior forward bed wall extended to the horizontal height of the cab

- 1) Unpack the four major components: DPW rack, left and right mounting feet, and mounting kit.
- 2) Mounting Kit includes: T-Stop Grip, bolts, washers & lock washers, mounting foot adhesive backed gaskets, adhesive backed DPW rack spacers, end caps. See Fig.1
- 3) Locate the truck bed forward 'side bed extender recess' detail near the rear window of the truck
- 4) The NOSLO T-Stop Grip (item 9) will be inserted into the rectangular bed recess to assist in securing the rack assembly through the slotted hole in the base of the mounting foot
- 5) Take the mounting feet (items 6 & 7), hand start the ½ inch by 2-½ inch bolts into the press-nut just a few threads should show on the other side.
- 6) Stick the adhesive foam pad (item 8) to the bottom of the mounting foot
- 7) Holding the T-Stop Grip place it at an angle allowing it to be recessed into the bed extender hole
- 8) Being assisted or by holding the mounting foot pressure push the T-Stop grip through the foam pad bringing the threads exposed on top of the foot
- 9) Hand tighten the nut (items 13, 14, 15) on top and two bolts on each foot so slight adjustments can be made and so the main vertical rack can be installed. Repeat for left and right mounting foot
- 10) Peel the adhesive liner from the spacer (item 16) and place the spacer into the "U" channel of the mounting foot with the long edge pressed against the welded side of the channel.
- 11) Set vertical rack in foot slots moving the rack left and right so as to be even and level, insert the provided ½ inch bolts, flat washer and lock washer loosely while making adjustments
- 12) Once the rack and mounting feet are satisfactorily aligned, tighten the bolts and nuts of the mounting foot and the four bolts securing the rack tightly to those bed mounts

Figure 1.



NOTE:  
 APPLICATION:  
 2020 CHEVROLET 1500, 2500 & 3500  
 2020 DODGE RAM 1500  
 2020 FORD F-150, F-250 & F-350

ITEM	QTY	PART NUMBER	DESCRIPTION
18	2	DPW-10005	SPACER, T-TIGHTBAR MOUNT
17	4	92865A720	BOLT, HEX HEAD 1/2-13 X 2"
16	2	DPW-10006	SPACER, DPW RACK PSA ONE SIDE
15	2	92141A030	WASHER, 5/16"
14	2	91104A030	LOCK WASHER, 5/16"
13	2	95462A030	NUT, HEX 5/16-18
12	4	98023A033	WASHER, 1/2" X 1.04 OD
11	4	91102A033	LOCK WASHER, 1/2"
10	4	91247A725	BOLT, HEX HD 1/2-13 X 3-1/4"
9	2	DPW-10004	PLATE, STUD MOUNT, 5/16-18 X 1-3/4"
8	2	DPW-20008	GASSET, MOUNTING FOOT DPW
7	1	DPW-30039-2	ASSEMBLY, FOOT, MNT PASS SIDE DPW RACK
6	1	DPW-30039-1	ASSEMBLY, FOOT, MNT DRIV SIDE DPW RACK
5	4	319292878	ENDCAP, 2 X 2
4	2	DPW-10005	SPACER, 1.25 OD X 1"
3	4	92865A722	BOLT, HEX HD 1/2-13 X 2-1/2"
2	3	9307073	GRGOMMET, 1.25"
1	1	DPW-40016	RACK, DPW WELDED, BLACK
		DPW-50001	ASSEMBLY, DPW ALUMINUM RACK

**REVISIONS**

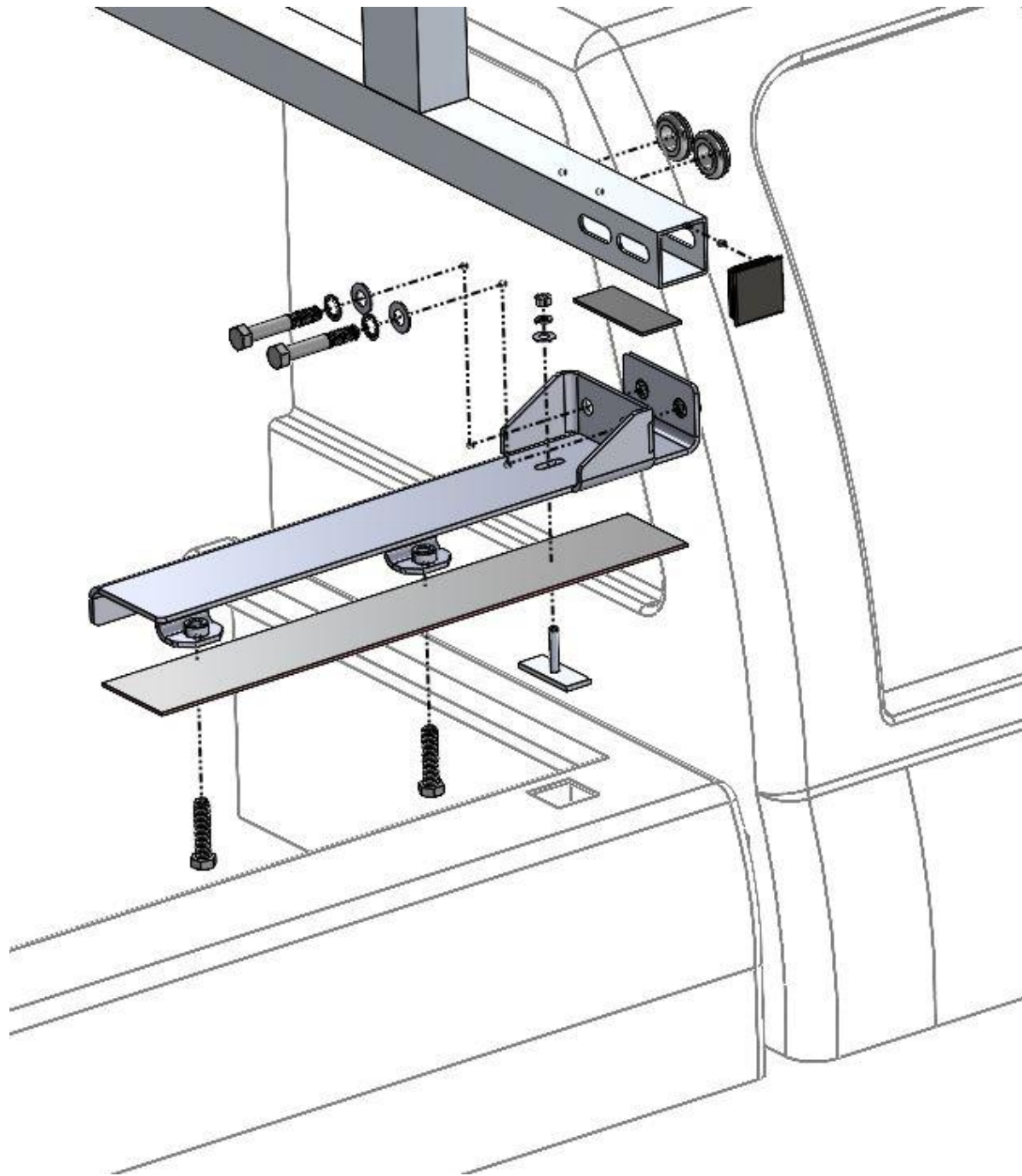
REV	DATE	DESCRIPTION
1	01/15/20	ASSEMBLY, DPW ALUMINUM RACK

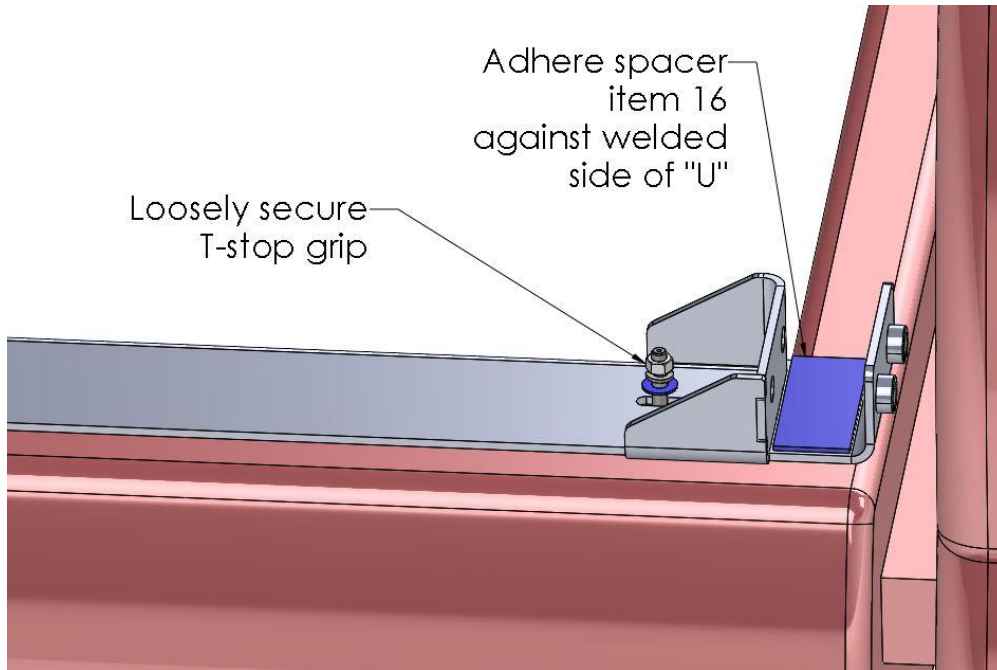
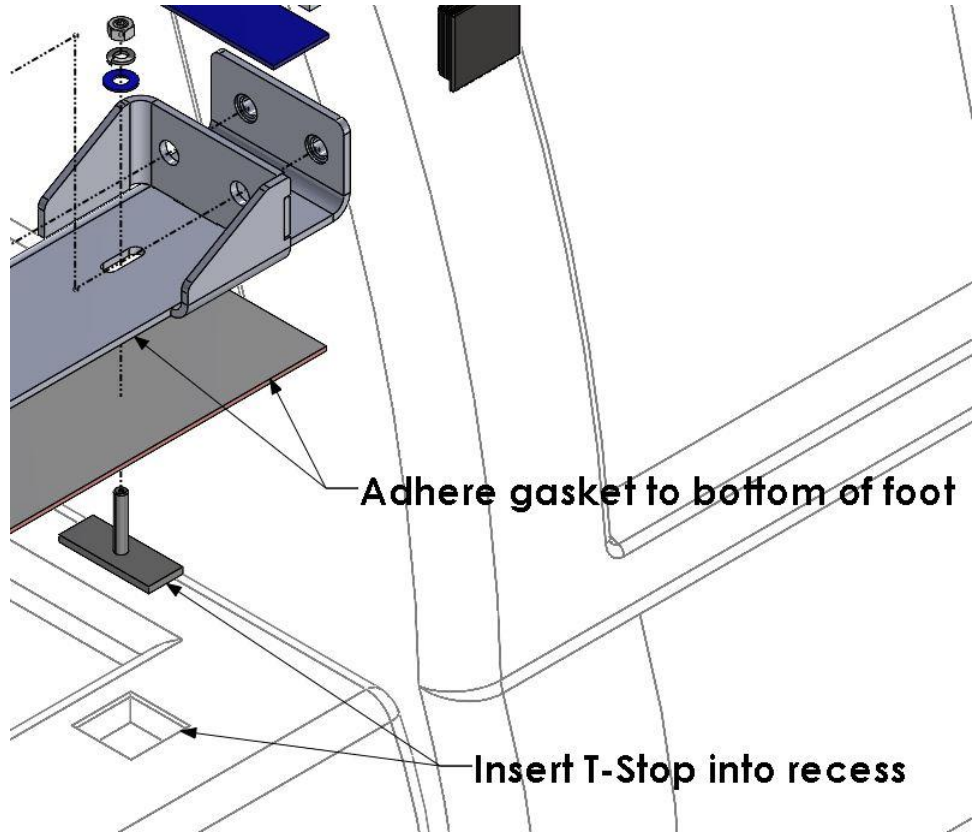
**APPROVALS**

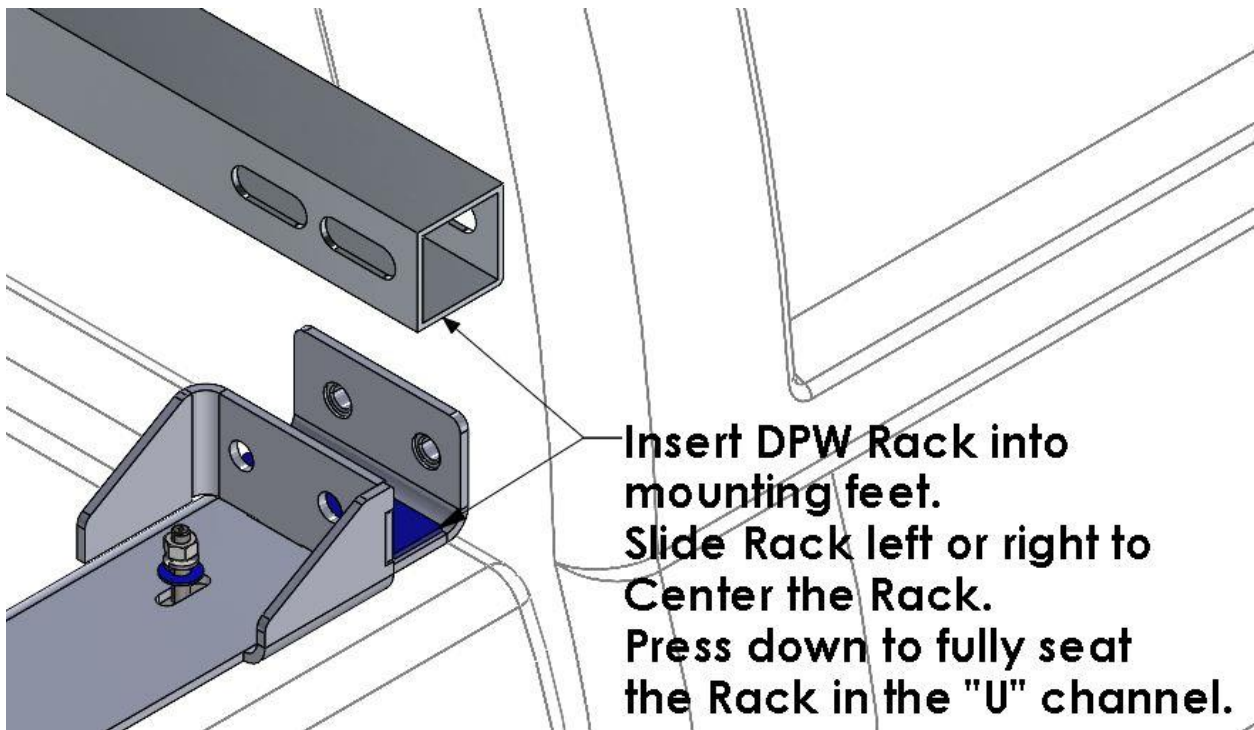
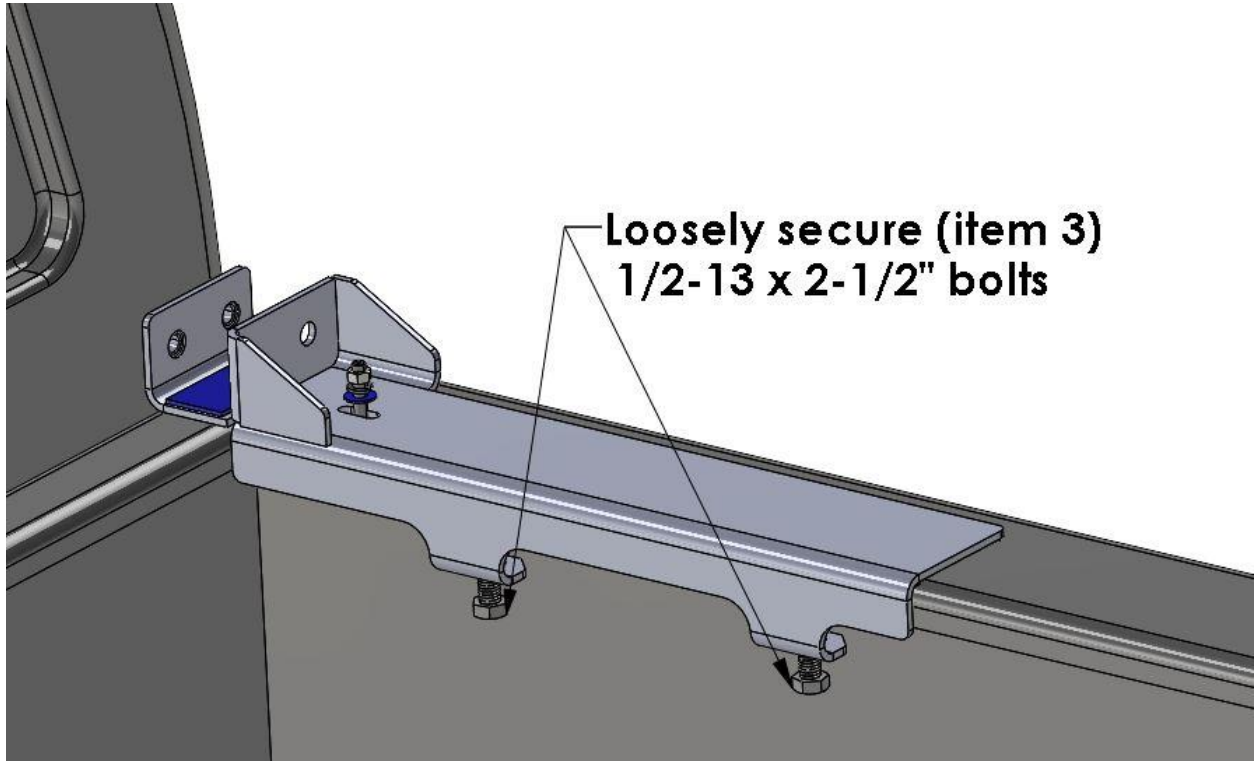
DESIGNED BY	CHECKED BY	DATE

**ASSEMBLY, DPW RACK & MOUNTING FEET**

Part Number: 50001







## INSTALLATION INSTRUCTIONS

