



INSTALLATION INSTRUCTIONS

<u>Product</u> 7160-1683 RUGGED LITE BACKLIT KEYBOARD	<u>Revision</u> Rev. A	<u>Form</u> INST-1070 Printing Spec: PS-001
--	----------------------------------	--

This instruction sheet is for the Gamber-Johnson Rugged Lite Backlit Keyboard only. For instructions on features, set-up, and operation of a computer, please refer to the manual provided with the computer.

This keyboard is designed to be used with a variety of Gamber-Johnson docking stations and other products with USB ports. Installation instructions for other Gamber-Johnson products are provided with each individual product. This keyboard is designed to be used with the purposefully built mounts listed below.

- 7160-1470-00** - Cradle, Rugged Lite Keyboard (Available with the keyboard as KIT 7170-0817)
- 7160-1474** - Fixed Mount, Rugged Lite Keyboard

This instruction sheet is for the following products:

- Item No. 7160-1683-00** English (US)*
- Item No. 7160-1683-01** English (UK)
- Item No. 7160-1683-02** German
- Item No. 7160-1683-03** French
- Item No. 7160-1683-04** Spanish
- Item No. 7160-1683-05** French (CA)

For more language options, please contact a Gamber-Johnson representative.

*All images in this document are of the U.S. layout only.



Product Mounting Disclaimer

Gamber-Johnson is not liable under any theory of contract or tort law for any loss, damage, personal injury, special, incidental or consequential damages for personal injury or other damage of any nature arising directly or indirectly as a result of the improper installation or use of its products in vehicle or any other application. In order to safely install and use Gamber-Johnson products full consideration of vehicle occupants, vehicle systems (i.e., the location of fuel lines, brakes lines, electrical, drive train or other systems), air-bags and other safety equipment is required. Gamber-Johnson specifically disclaims any responsibility for the improper use or installation of its products not consistent with the original vehicle manufactures specifications and recommendations, Gamber-Johnson product instruction sheets, or workmanship standards as endorsed through the Gamber-Johnson Certified Installer Program.

© Copyright 2021 Gamber-Johnson, LLC

If you need assistance or have questions, call Gamber-Johnson at 1-800-456-6868.

PRE-INSTALLATION RECOMMENDATIONS

Gamber-Johnson (GJ) recommends the positioning of all mounts and equipment in the vehicle prior to the actual install to verify mounting locations are safe and practical.

Gamber-Johnson strongly advises a "bench test" be conducted to verify all electronic and software issues are resolved prior to installation. Follow these steps:

1. Make sure the computer functions by itself as intended.
2. Connect the keyboard and make sure it functions with the device.
3. Connect other equipment and verify start-up of all components and specific software (mouse, flashdrives, printers, etc.).

IMPORTANT SAFETY INFORMATION FOR INSTALLERS

Before Installation

Safety is dependent on the proper installation and servicing of this keyboard. It is important to read and follow all instructions before installing this product. Use proper mounting equipment or hardware to secure this keyboard.

Safety is a top priority for Gamber-Johnson. To properly install Gamber-Johnson equipment, you must have a good understanding of automotive electrical procedures and systems, along with proficiency in the installation and service of aftermarket vehicle equipment.

WARNING: Opening the keyboard will void the product warranty. There is no need to adjust the electrical components within the keyboard at any time.

During Installation

Do not install equipment or route wires or cords in the deployment path of any air bag.

When drilling into the vehicle, ensure both sides of the surface are clear of anything that could be damaged.

WARNING: If wiring is shorted to the frame, high current conductors can cause hazardous sparks resulting in electrical fires or flying molten metal.

After Installation

Test the keyboard to ensure it is working properly.

1. Do not use the keyboard if the cable or plug are damaged.
2. Damage to the product may result in a void IP54 rating.
3. The IP54 rating does not apply to the USB male plug.

File these instructions in a safe place and refer to them when performing maintenance or re-installing.

WARNING: Failure to follow all safety precautions and instructions may result in property damage, serious injury, or death.

FEATURE IDENTIFICATION



USB 2.0 Output Cable
Provides a coiled connection to a computer or docking station through USB type A

Rubber Backlit Keys
Standard U.S. layout with 12 function keys, and an optional programmable Emergency Key. All keys have red backlighting.

Backlit Control
Use F12 key to cycle through backlit brightness.

Mouse Buttons

Touchpad
Capacitive touch allows for multi-finger gestures.



Front Pockets
Purposefully designed pockets to allow for vehicle mounting using GJ quick release cradle: 7160-1470-00

Rear Pocket

Rear Mounting Holes
Purposefully designed holes for #6 machine screws. They allow vehicle mounting for customers not wanting the keyboard to be removed. This is also available on 7160-1470-00.



USB 2.0 Input Port
(500 mA)
Provides a port to quickly connect digital devices such as flash drives or a mouse. This port is not designed to permanently mount a device during vehicle operation.



Rubber Pads
Provides protection and a non-slip surface.

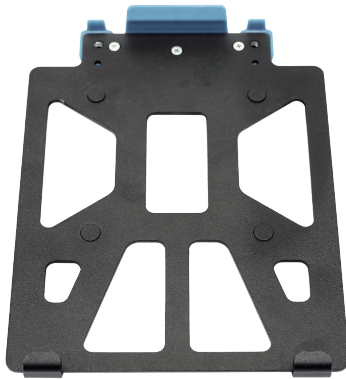
Part Number Label
Provides information on the product. Reference this information regarding any service needs.

DOCKING AND UNDOCKING THE KEYBOARD

Available Mounting Products

Please reference the instructions provided with products recommended for this keyboard. The Quick Release Keyboard Cradle can also be used as a fixed mount. Both are designed to be low profile and easy to use.

Quick Release Keyboard Cradle
7160-1470-00 (shown below)



Fixed Keyboard Mount
7160-1474 (shown below)



INFORMATION ABOUT USING THIS PRODUCT

Environmental Conditions

This keyboard is IP54 rated, including the US B2.0 Input Port. No plug or cover is needed. This rating does NOT include the USB 2.0 Output Cable. Make sure this cable is plugged into a port that is protected from environmental conditions or accidental liquid spills.

This keyboard is rated for use and storage at these temperatures:

Operating -20 °C to 60 °C (-4 °F to 140 °F)
Storage -40 °C to 85 °C (-40 °F to 185 °F)

This keyboard is tested to the full Gamber-Johnson rugged standards including MIL-STD 810G vibration, shock, and life cycle tests. This product is safe to mount in vehicles.

Using the Product

This keyboard is designed to be plug & play with the USB 2.0 Output Cable. Simply plug it into the computer or docking station. The keyboard supports Windows (XP or newer), Android, Linux, and Mac OS/iOS platforms.

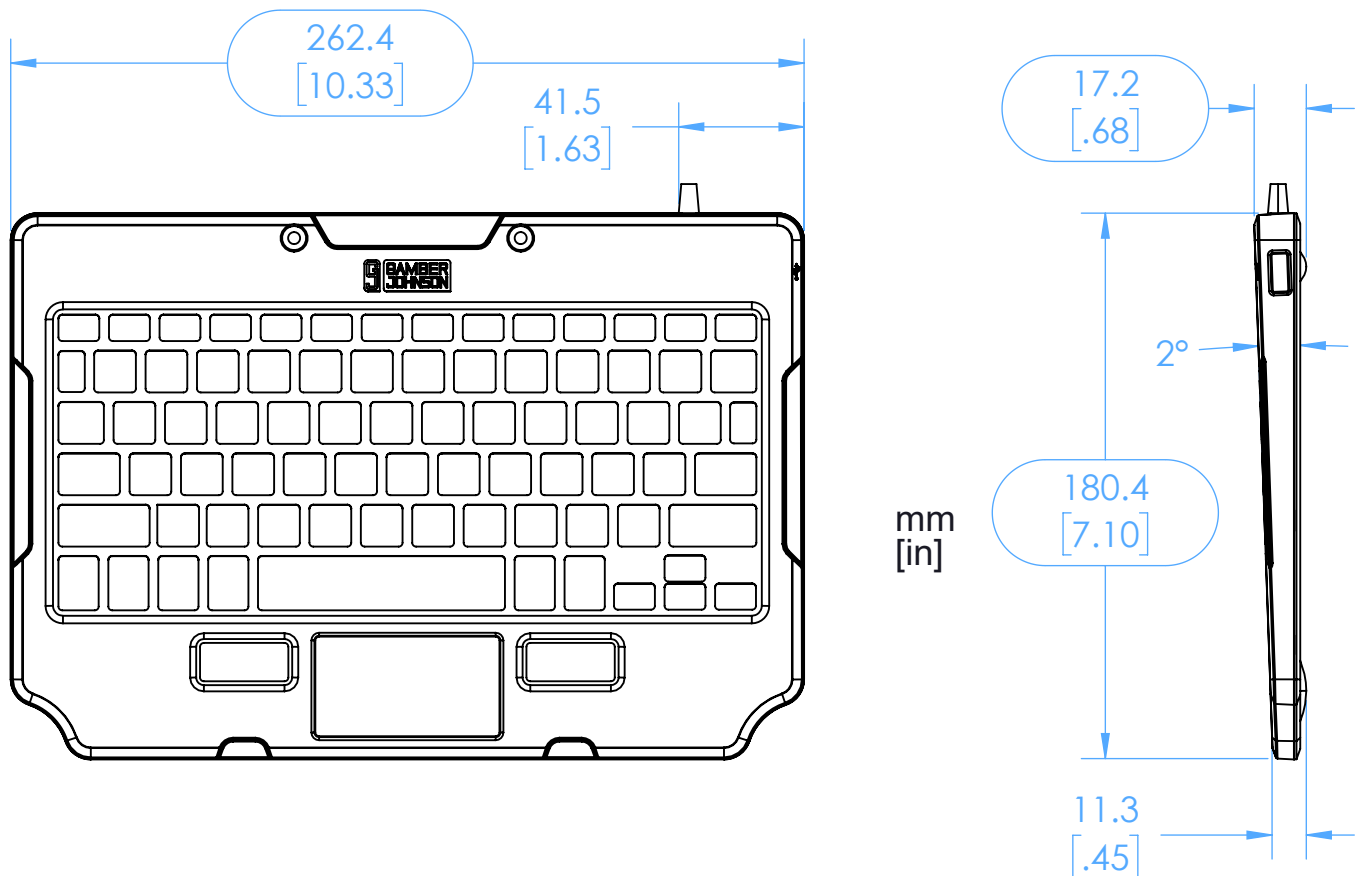
This keyboard has 12 function keys as well as a range of preset quick keys. These keys will not necessarily perform the same function on each platform (Android versus Windows) or within different applications on the same platform. There is also a programmable Emergency Key on the left side. This key is not functional if it is not programmed. Use the F12 key to cycle through the red backlit brightness. Setting one is the highest, setting four is the lowest, and setting five is off.

This keyboard has an available USB 2.0 Input Port on the right side that supplies 500mA of power. This port can be used to quickly and easily attach a flash drive, mouse, or other digital device with a USB type A plug. It is not designed to permanently mount a device and is not tested to the Gamber-Johnson standard MIL-STD 810G vibration, shock, or crash requirements.

KEYBOARD DETAILS

SPECIFICATIONS

Data Port	USB 2.0 type A, 500 mA
Connection Style	USB 2.0 type A cable plug
Power	Keyboard uses power from USB cable attached device
Dimensions	262.4 mm (10.33") x 180.4 mm (7.10") x 17.2 mm (0.68")
Weight - Keyboard	0.476 kg (1.05 lbs)
Cable Length - Straight	254.0 mm (10.0")
Cable Length - Coil	114.3 mm (4.5") normal, 571.5 mm (22.5") stretched
Cable Length - Total	457.2 mm (18.0") normal, 914.4 mm (36.0") stretched
Operating Temperature	-20°C to 60°C (-4°F to 140°F)
Storage Temperature	-40°C to 85°C (-40°F to 185°F)
Ingress - Keyboard	IP54
Mounting	Gamber-Johnson products 7160-1470-00 and 7160-1474
Compatibility	Windows (XP or newer), Android, Linux, Mac OS/iOS
Warranty	1 Year
Backlit	Red. Multiple brightness and Off settings



REGULATORY CERTIFICATION INFORMATION

Regulatory Model #: **7160-1449**

GJ Model #s & Description:

7160-1683-00	Keyboard, Rugged Lite Backlit, English (US)
7160-1683-01	Keyboard, Rugged Lite Backlit, English (UK)
7160-1683-02	Keyboard, Rugged Lite Backlit, German
7160-1683-03	Keyboard, Rugged Lite Backlit, French
7160-1683-04	Keyboard, Rugged Lite Backlit, Spanish
7160-1683-05	Keyboard, Rugged Lite Backlit, French (CA)

Certifications:

- EN 55032: 2015 + A11:2020, Class B
- EN 55035: 2017 + A11:2020
- ICES-003 Issue 7:2020
- IEC60529: 2013, IP54 rated

This device complies with Part 15 of the FCC Rules. Operation is subject to the following two conditions: (1) This device may not cause harmful interference, and (2) this device must accept any interference received, including interference that may cause undesired operation.



Gamber-Johnson LLC, 5001 Joerns Drive,
Stevens Point, WI, 54481, USA, 715-344-3482