



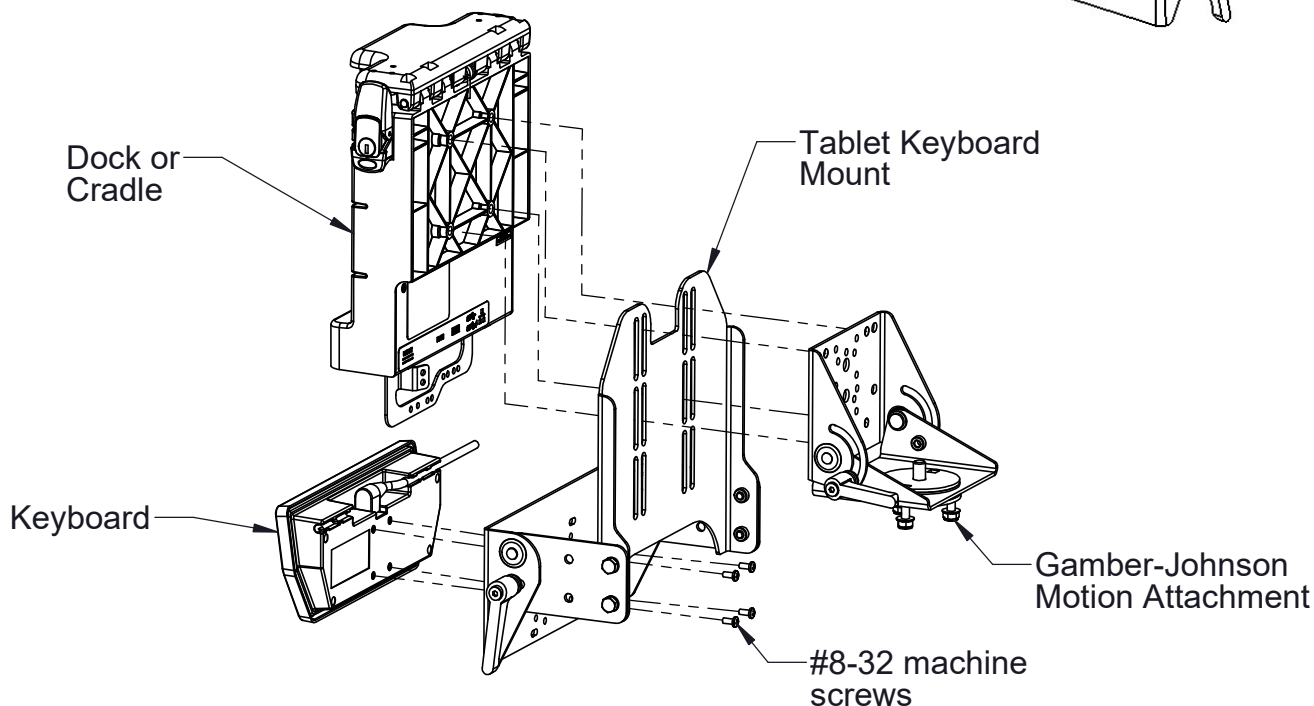
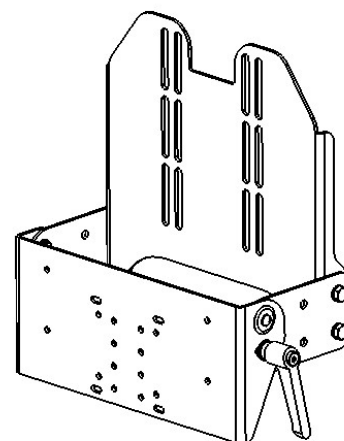
# INSTALLATION INSTRUCTIONS

<u>Product</u>	<u>Revision</u>	<u>Form</u>
7160-1257 VERTICAL TABLET KEYBOARD MOUNT	Rev. B	INST-857
		Printing Spec: PS-001

This instruction sheet is for the Vertical Tablet Keyboard Mount only. This mount is designed to be used with Gamber-Johnson tablet docking stations and cradles.

## Attaching the Mount

1. The Tablet Keyboard Mount attaches between the docking station or cradle and the motion attachment using the hardware provided with the dock or cradle.
2. The keyboard attaches using the 8-32 x 3/8" machine screws provided in hardware bag 7120-0714.

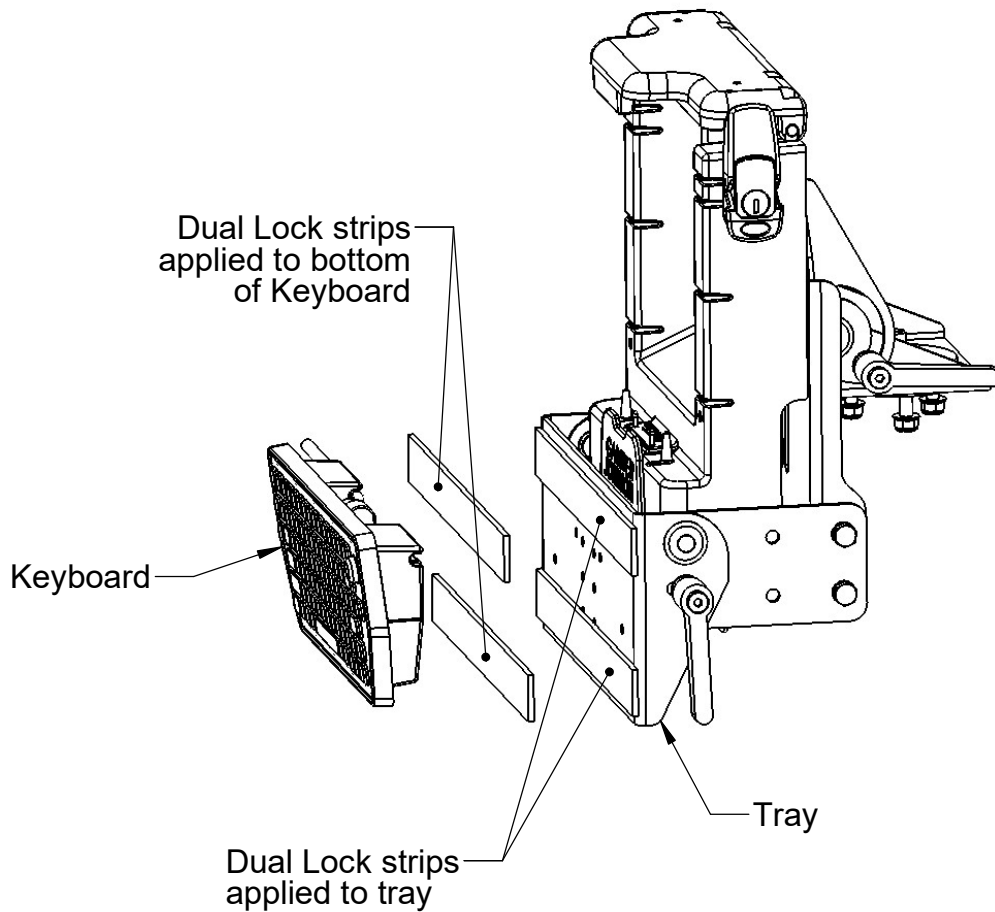


### Product Mounting Disclaimer

Gamber-Johnson is not liable under any theory of contract or tort law for any loss, damage, personal injury, special, incidental or consequential damages for personal injury or other damage of any nature arising directly or indirectly as a result of the improper installation or use of its products in vehicle or any other application. In order to safely install and use Gamber-Johnson products full consideration of vehicle occupants, vehicle systems (i.e., the location of fuel lines, brakes lines, electrical, drive train or other systems), air-bags and other safety equipment is required. Gamber-Johnson specifically disclaims any responsibility for the improper use or installation of its products not consistent with the original vehicle manufacturers specifications and recommendations, Gamber-Johnson product instruction sheets, or workmanship standards as endorsed through the Gamber-Johnson Certified Installer Program.

© Copyright 2019 Gamber-Johnson, LLC

If you need assistance or have questions, call Gamber-Johnson at 1-800-456-6868



### **Attaching Keyboard to Tray with Dual Lock Fastener**

The Keyboard can be attached to the tray using (4) 8" long pieces of Dual Lock fastener supplied in hardware bag 7120-0714.

Lock 2 pieces of the Dual Lock fastener together with the release liners toward the outside. Remove the release liner from one side and attach the Dual Lock strips to the tray surface. Remove the remaining release liner from the Dual Lock strips and place the Keyboard on the tray surface. The bottom surface of the Keyboard will adhere to the Dual Lock strips.

To remove the Keyboard from the tray, hold the sides of the Keyboard and pull away from the tray. The Dual Lock strips will separate.  
To attach the Keyboard to the tray, press the Keyboard onto the tray, aligning the Dual Lock strips. The Dual Lock strips will mesh holding the Keyboard in place.