



# INSTALLATION INSTRUCTIONS

## Product

7110-1001; 7160-1553

ARMREST, INTERNAL

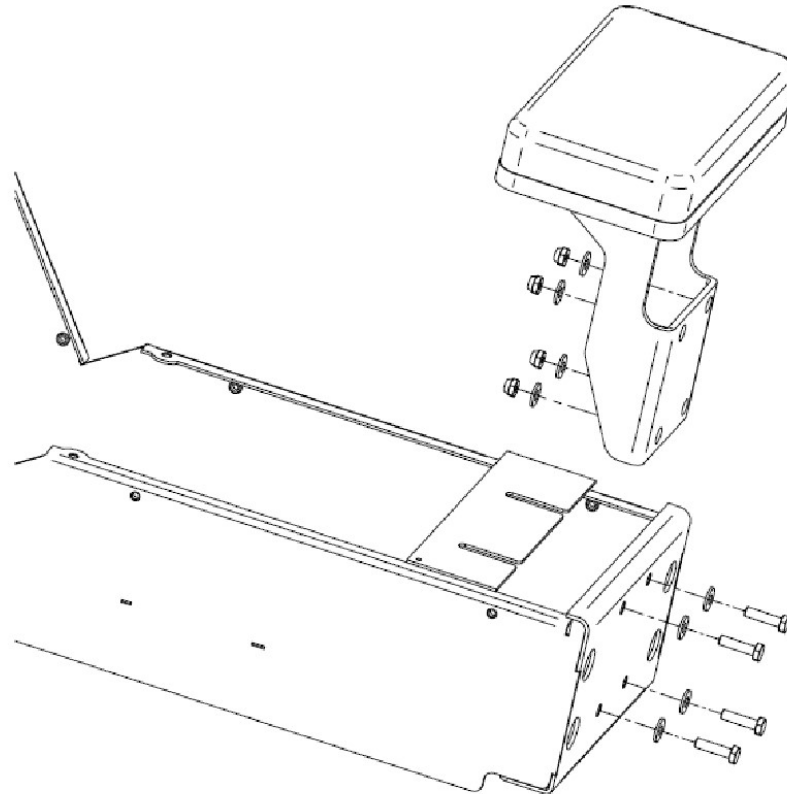
## Revision

Rev A

## Form

INST-551

Printing Spec: PS-001



1. Install and tighten four (4) 1/4-20 x 1" bolts and washers to threaded inserts on rear of console box
2. Install armrest to inside of console box over bolts.
3. Attach armrest to console box using washers and 1/4-20 nuts.
4. Install Cover Plate to cover opening. Press down to firmly seat Dual Lock.

#### Product Mounting Disclaimer

Gamber-Johnson is not liable under any theory of contract or tort law for any loss, damage, personal injury, special, incidental or consequential damages for personal injury or other damage of any nature arising directly or indirectly as a result of the improper installation or use of its products in vehicle or any other application. In order to safely install and use Gamber-Johnson products full consideration of vehicle occupants, vehicle systems (i.e., the location of fuel lines, brake lines, electrical, drive train or other systems), air-bags and other safety equipment is required. Gamber-Johnson specifically disclaims any responsibility for the improper use or installation of its products not consistent with original vehicle manufactures specifications and recommendations, Gamber-Johnson product instruction sheets, or workmanship standards as endorsed through the Gamber-Johnson Certified Installer Program.

© Copyright 2021 Gamber-Johnson, LLC

If you need assistance or have questions, call Gamber-Johnson at 1-800-456-6868