



# INSTALLATION INSTRUCTIONS

## Product

7160-1425

CAB OVERHEAD GUARD MOUNT

## Revision

Rev C

## Form

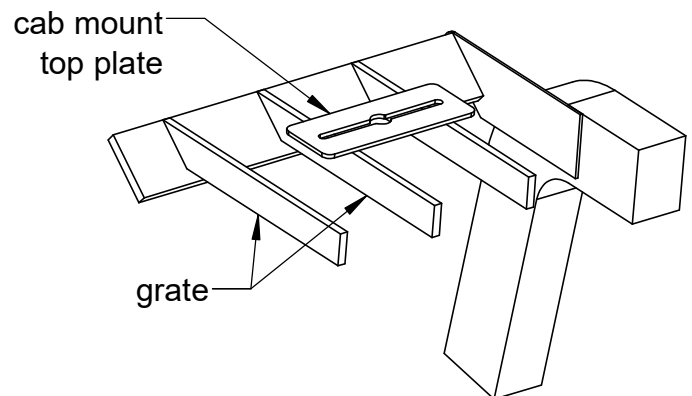
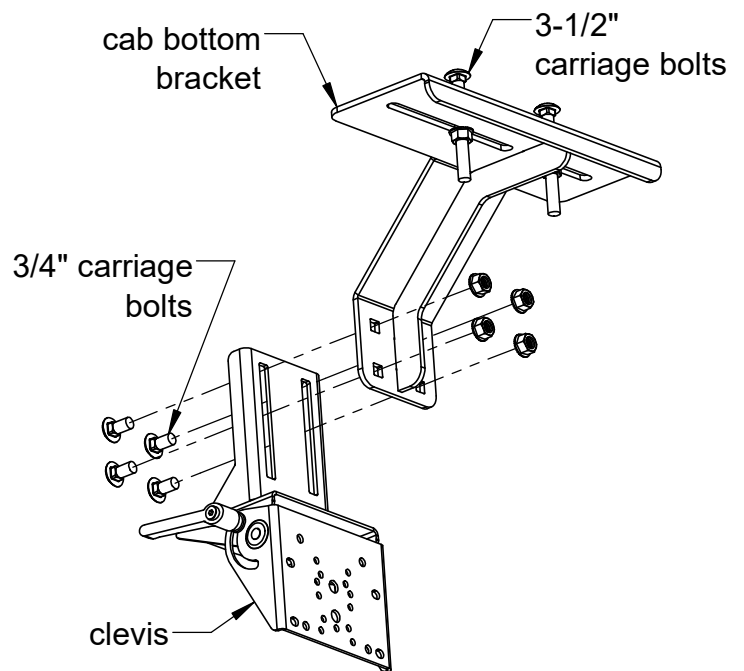
INST-936

Printing Spec: PS-001

This instruction sheet is for the Gamber-Johnson Cab Overhead Guard Mount (7160-1425). It is designed to mount a computer cradle or docking station near the roof of an enclosed cab forklift. There are 2 ways to mount it based on how close the roof is to the overhead grate.

### Attaching the mount when there is a minimum 1/2" clearance between the cab roof and the overhead grate:

1. Attach the clevis portion of the mount to the cab bottom bracket with the (4) 3/8 x 3/4" carriage bolts and serrated flange nuts found in hardware bag 7120-0932.
2. Loosely attach the (2) 3/8 x 3-1/2" carriage bolts and serrated flange nuts into the long slots of the bottom bracket as shown.
3. Place the cab mount top plate on top of the grate in the approximate location the mount will be located.



#### Product Mounting Disclaimer

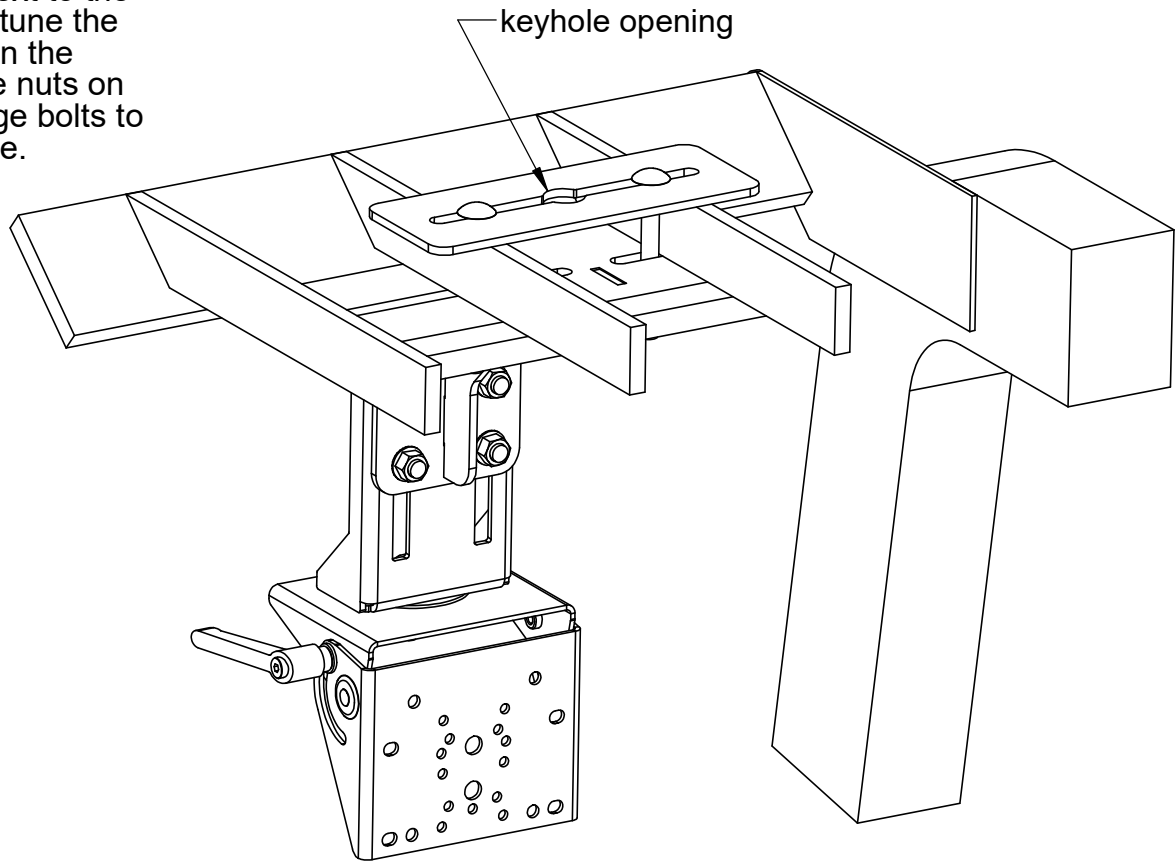
Gamber-Johnson is not liable under any theory of contract or tort law for any loss, damage, personal injury, special, incidental or consequential damages for personal injury or other damage of any nature arising directly or indirectly as a result of the improper installation or use of its products in vehicle or any other application. In order to safely install and use Gamber-Johnson products full consideration of vehicle occupants, vehicle systems (i.e., the location of fuel lines, brake lines, electrical, drive train or other systems), air-bags and other safety equipment is required. Gamber-Johnson specifically disclaims any responsibility for the improper use or installation of its products not consistent with original vehicle manufactures specifications and recommendations, Gamber-Johnson product instruction sheets, or workmanship standards as endorsed through the Gamber-Johnson Certified Installer Program.

© Copyright 2021 Gamber-Johnson, LLC

If you need assistance or have questions, call Gamber-Johnson at 1-800-456-6868

## Attaching the mount:

Insert the heads of the 3/8" x 3-1/2" carriage bolts through the keyhole opening in the top plate and slide the carriage bolts outward so they are next to the overhead grate. Fine tune the position of the mount in the vehicle and tighten the nuts on the 3/8 x 3-1/2" carriage bolts to hold the mount in place.



**Attaching the mount when there is only 1/4" to 1/2" clearance between the cab roof and the overhead grate:**

1. Attach the clevis portion of the mount to the cab mount bottom plate with the (4) 3/8 x 3/4" carriage bolts and serrated flange nuts found in hardware bag 7120-0932.

2. Loosely connect the short and tall hooks together with the remaining 3/8 x 3/4" long carriage bolt and serrated lock nut found in hardware bag 7120-0932.

3. Insert the (2) 3/8 x 3-1/2" long carriage bolts found in hardware bag 7120-0932 through the slots as shown. Place the hooks on top of the overhead grate and adjust the width as shown so the hooks are tight against the inside edges of the grate. Tighten the 3/4" long carriage bolt to hold the hooks in place.

Note: if the bars are too close together. The 3/4" carriage bolt can be eliminated. One of the 3-1/2" carriage bolts will need to run through both hooks and be held in place with the lock nut.

4. Attach the cab bottom bracket to the 3-1/2" long carriage bolts with the serrated lock nuts found in hardware bag 7120-0932. Fine tune the position of the mount in the vehicle and tighten the nuts in place.

