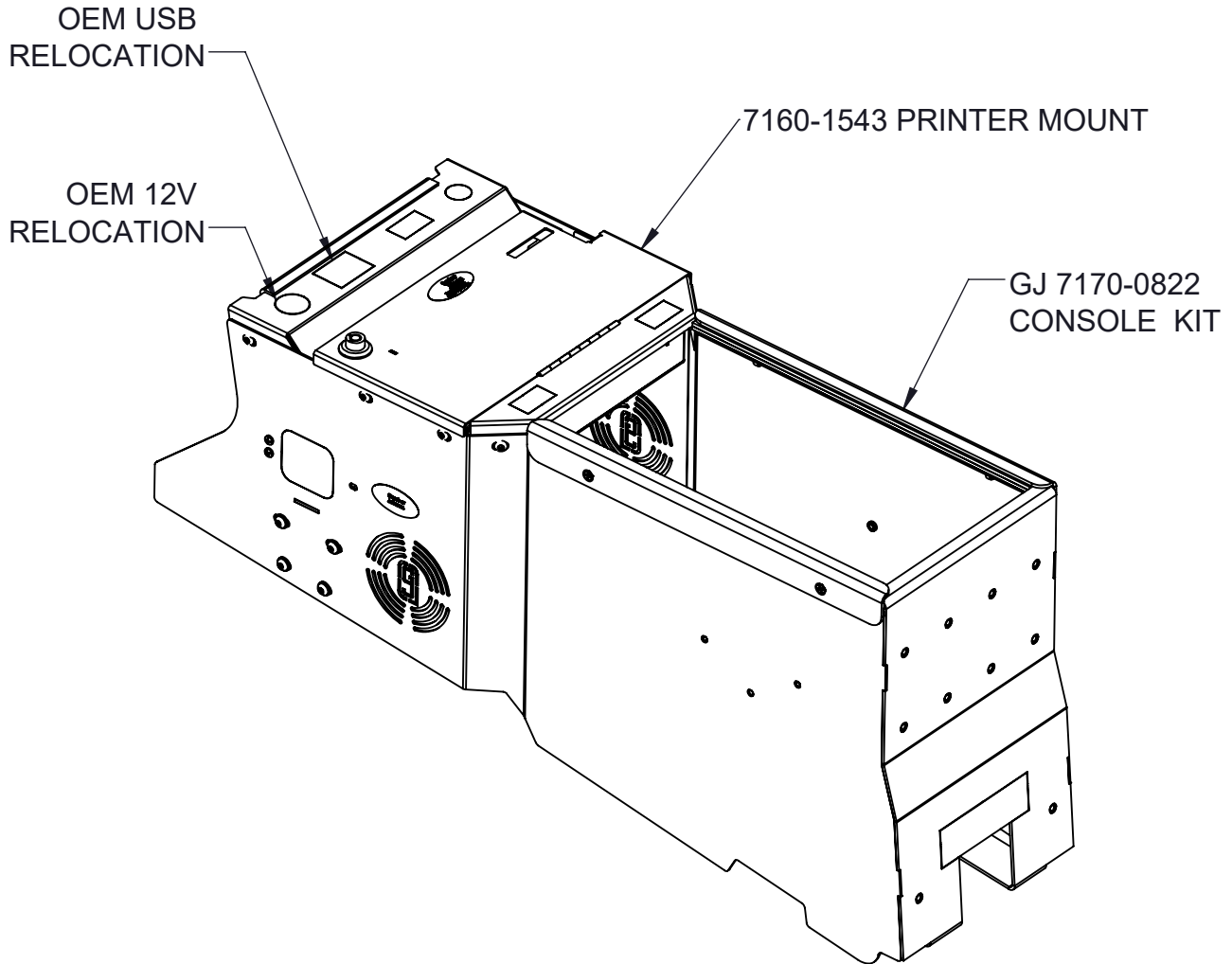




INSTALLATION INSTRUCTIONS

<u>Product</u> 7160-1543 IN-CONSOLE PRINTER MOUNT FOR 7160-1477	<u>Revision</u> A	<u>Form</u> INST-1000 Printing Spec: PS-001
--	-----------------------------	--



***NOTE:**
IF A GJ MOTION DEVICE IS REQUIRED, A SIDE MOUNT MAYBE PRUCHASED AND INSTALLED. PN 19416 OR DS-138

Product Mounting Disclaimer

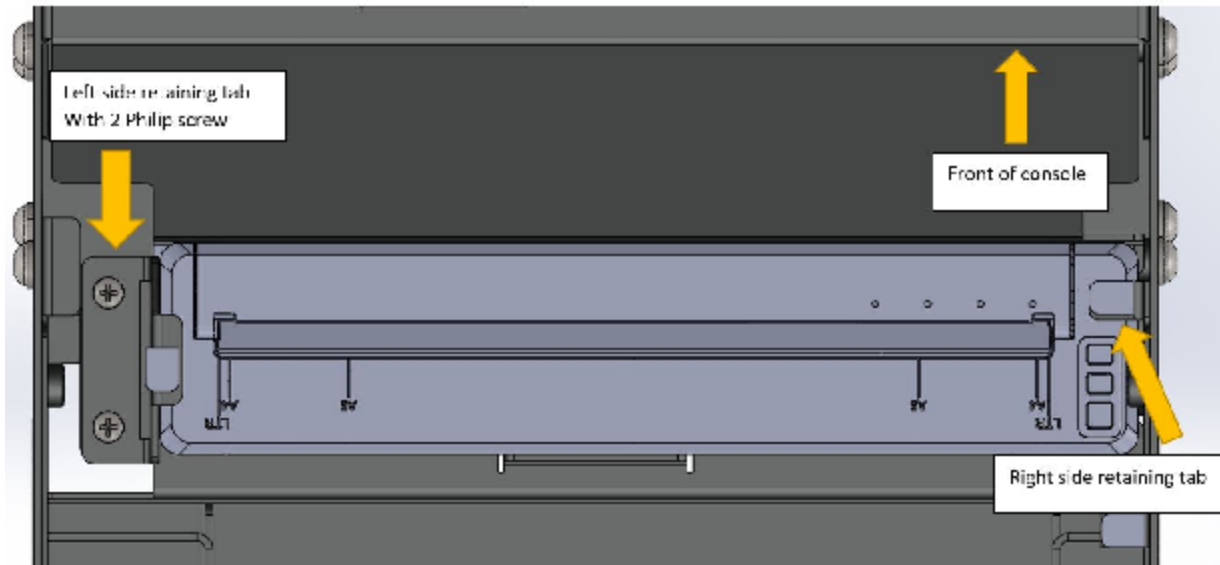
Gamber-Johnson is not liable under any theory of contract or tort law for any loss, damage, personal injury, special, incidental or consequential damages for personal injury or other damage of any nature arising directly or indirectly as a result of the improper installation or use of its products in vehicle or any other application. In order to safely install and use Gamber-Johnson products full consideration of vehicle occupants, vehicle systems (i.e., the location of fuel lines, brake lines, electrical, drive train or other systems), air-bags and other safety equipment is required. Gamber-Johnson specifically disclaims any responsibility for the improper use or installation of its products not consistent with original vehicle manufactures specifications and recommendations, Gamber-Johnson product instruction sheets, or workmanship standards as endorsed through the Gamber-Johnson Certified Installer Program.

© Copyright 2020 Gamber-Johnson, LLC

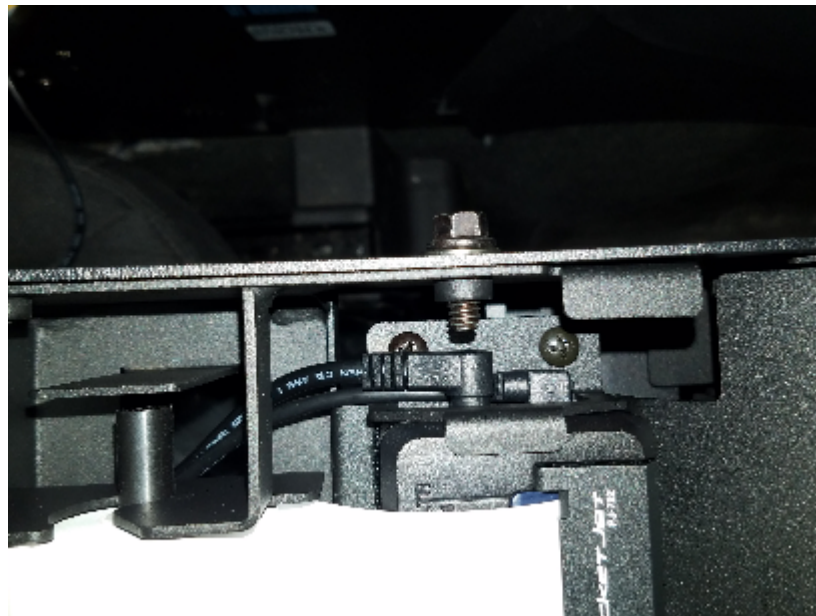
If you need assistance or have questions, call Gamber-Johnson at 1-800-456-6868

Install

#1 To install the printer mount, first install the Brother Printer in place slide it from left to right to make sure the right side tucks under the right side tab and install the printer retainer with 2 philip screw on the left side.



#2. Install the supplied USB cable first then the Power cable (not supplied) then route the cable as desired for best function



#4. With printer installed in the mount, the mount can now be installed in the GJ console as shown.
*the Lid of the printer mount does not attached to the lower half.
After installed check the lid locking function and adjust as needed.

