

INSTALLATION INSTRUCTIONS

Product

9", 13" & 17" EPIC Console Boxes
MCS-EPIC9, MCS-EPIC13, MCS-EPIC17

Revision

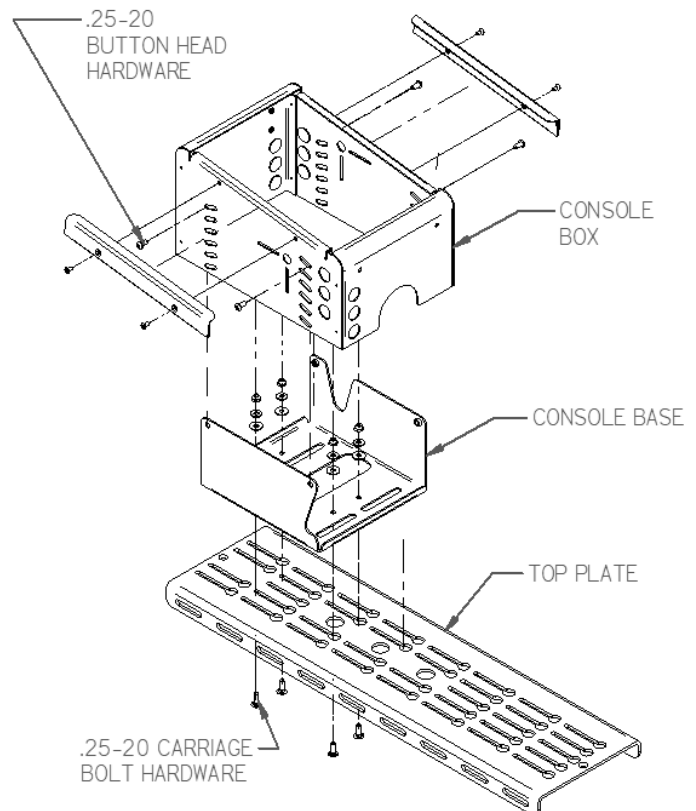
Rev. E

Form

INST-104

PS-004

The MCS-EPIC9, MCS-EPIC13 or MCS-EPIC17 can be installed on Gamber-Johnson MCS-Top Plates and on top plates made by other mount manufacturers, or may be bolted directly to the floor or transmission hump of your vehicle. When bolting to the floor, check under the vehicle to be sure you will not damage the transmission housing or other under-floor parts. Bolts for attaching the console to the floor are not furnished with the mount.



Installing MCS-EPIC9, MCS-EPIC13 or MCS-EPIC17 on Gamber-Johnson MCS-Top Plate:

1. Place the MCS-Top Plate in the vehicle in the approximate position it will occupy when it is installed. Set the console on the top plate to determine the desired position. Mark that position or make note of which slots line up with the mounting holes in the console base. Remove the console and top plate from vehicle.

2. Insert (4) .25-20 x 1.00 carriage bolts, from the bottom side, through slots in the top plate and mounting holes in console base. Add (4) flat washers, (4) lock washers and (4) .25-20 hex nuts from the top side.

3. Install console base and top plate into vehicle according to the instructions provided with the vehicle base.

4. Assemble faceplates to control heads as described in instruction sheet INST3.

Install the control heads, accessories and blank panels into the console box.

6. Electrically connect the equipment at this time. It is important to allow extra wire length for servicing the equipment. Grommets are provided for lining knockout holes.

7. Slide the console box over the console base. The height and angle can be adjusted if needed by removing the (4) .25-20 x .50 Button Head Screws from the sides of the console box, repositioning the slots on the console box with the threaded inserts on the console base and reinstall the Button Head Screws.

Installing MCS-EPIC9, MCS-EPIC13 or MCS-EPIC17 on Top Plates by other manufacturers:

The slotted hole pattern in the base of the Epic Boxes lines up with the hole pattern in several top plates made by other mount manufacturers.

Installation is similar to that listed above except for item #2.

Size and quantity hardware depends on top plate being used and must be supplied by customer.

Product Mounting Disclaimer

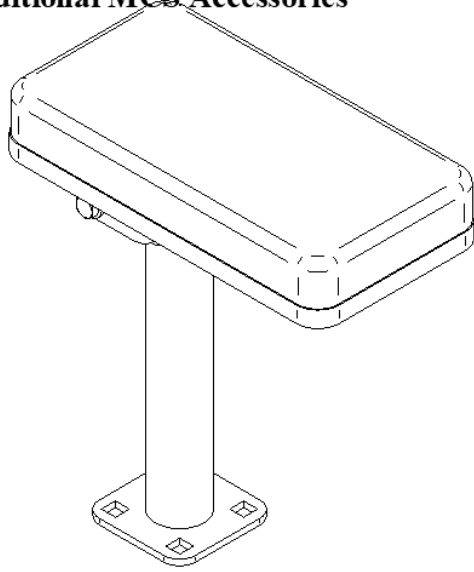
Gamber-Johnson is not liable under any theory of contract or tort law for any loss, damage, personal injury, special, incidental or consequential damages for personal injury or other damage of any nature arising directly or indirectly as a result of the improper installation or use of its products in vehicle or any other application. In order to safely install and use Gamber-Johnson products full consideration of vehicle occupants, vehicle systems (i.e., the location of fuel lines, brakes lines, electrical, drive train or other systems), air-bags and other safety equipment is required. Gamber-Johnson specifically disclaims any responsibility for the improper use or installation of its products not consistent with the original vehicle manufactures specifications and recommendations, Gamber-Johnson product instruction sheets, or workmanship standards as endorsed through the Gamber-Johnson Certified Installer Program.

© copyright 2012 Gamber-Johnson, LLC

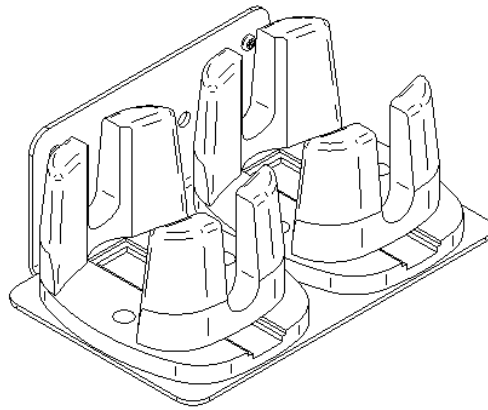
If you need assistance or have questions, call Gamber-Johnson at 1-800-456-6868

Sheet 1 of 2

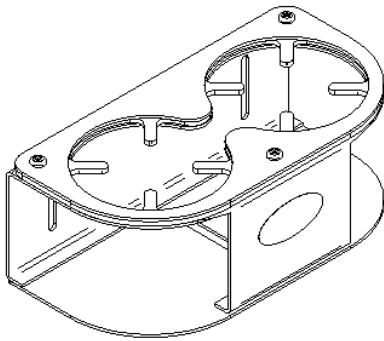
Additional MCS Accessories



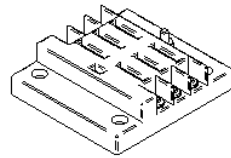
MCS-ARMREST



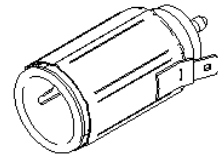
MCS-CUP2



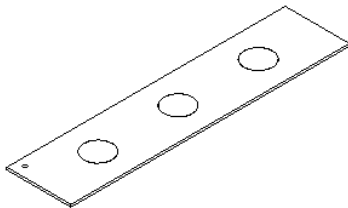
MCS-CUPHOLD2



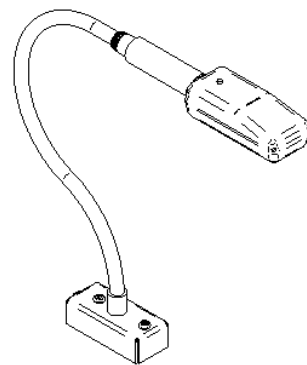
7160-0110
(6 Circuit Power Strip)



7160-0063
(Cigarette Lighter Adapter Kit)



3130-0361
(Knockout Filler Panel)



7160-0100
(LED Light Assembly)

INSTALLATION INSTRUCTIONS

Product
Faceplates

Date
02/23/01

Form #
INST3

ASSEMBLING MCS FACEPLATES: (Refer to figure 1)

1. Check that the following pieces are present:

Dual lock fastener (supplied w/console box)

(1) faceplate vertical offset

(1) faceplate top bracket

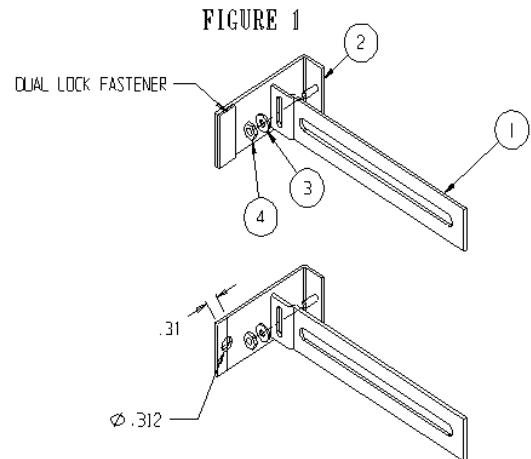
(1) flat washer #6

(1) 6-32 nut

2. For each faceplate, slide the faceplate vertical offset (item 1) on the stud in faceplate top bracket (item 2).

Add flat washer (item 3) and hex nut (item 4). Remove the extra strips of dual lock fastener pressed onto each console box under holddown rails, cut to same length as each faceplate, remove protective film covering the adhesive strip and apply to top bracket as shown.

3. If the faceplates are being mounted in an older style MCS Console Box (those with threaded inserts on the top surface of the side panels/holddown screws passing through slots in existing face plates or blank panels), DO NOT attach the strip of dual lock fastener on each faceplate as described above. When installing faceplates into these MCS Console Boxes, mark any that cover the threaded inserts and drill a .312 diameter clearance hole as shown in Figure 1.



ASSEMBLING MCS FACEPLATES TO CONTROL HEADS AND INSTALLING IN MCS CONSOLE BOXES (Refer to figures 2 & 3).

1. Install the faceplates on each control head as shown in figure 2. Adjust the faceplates so the mounting holes in the sides of the control head line up in the slots of the faceplate vertical offsets and so the desired amount of the control head will extend from the console. Make sure to allow enough room underneath for any connectors that may be required. Test the fit of each control head, the tallest heads may need to be installed near the higher end of the console.
2. Arrange the control heads in the console box as desired. Blank panels of various sizes have been provided to act as spacers between each control head, if needed. Secure in place by attaching a piece of dual lock fastener to each end of the blank panel and then pressing the strips of dual lock fastener on the faceplates, blank panels and console box together.
3. Attach the MCS Console Box holddowns to the sides of the console box and over faceplates with (6) 10-32 x .38 Phillips head machine screws.

