

INSTALLATION INSTRUCTIONS

Product

DS-114 VEHICLE BASE

FORD EXPLORER (2002-2010)
FORD EXPLORER SPORT TRACK (2007)

Revision

Rev B

Form

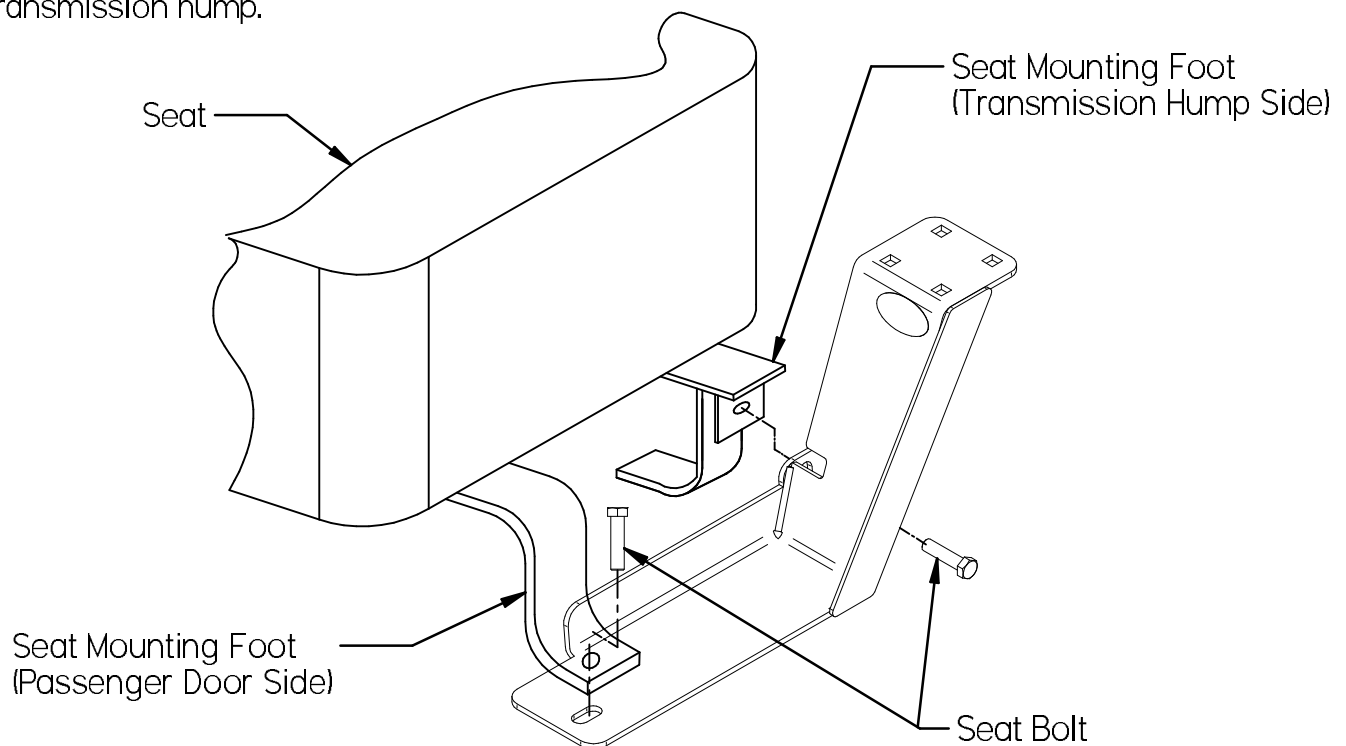
INST-152

Printing Spec: PS-001

The DS-114 (2002 Ford Explorer base) is a No-Holes-Bored base. The base mounts to the seat brackets and is compressed to the floor using the seat bolts.

Mounting the DS-114 to the passenger side bucket seat: (See Figure I.)

1. Remove the front passenger side seat bolts that attach the seat to the floor.
2. Slide the base under the seat mounting foot closest to the passenger door. The base rests up against the outside of the seat mounting foot for the bolt location closest to the transmission hump.
4. Using a socket and 6" extension, place the seat bolt inside of the socket. Install the seat bolt closest to the transmission hump by feeding the bolt between the riser portion of the base and the transmission hump. Hand thread the bolt a couple of turns.
5. Reinstall the seat bolt closest to the passenger side door. Tighten down the bolt.
6. While pushing down on the upper portion of the base, tighten the seat bolt closest to the transmission hump.



Product Mounting Disclaimer

Gamber-Johnson is not liable under any theory of contract or tort law for any loss, damage, personal injury, special, incidental or consequential damages for personal injury or other damage of any nature arising directly or indirectly as a result of the improper installation or use of its products in vehicle or any other application. In order to safely install and use Gamber-Johnson products full consideration of vehicle occupants, vehicle systems (i.e., the location of fuel lines, brakes lines, electrical, drive train or other systems), air-bags and other safety equipment is required. Gamber-Johnson specifically disclaims any responsibility for the improper use or installation of its products not consistent with the original vehicle manufactures specifications and recommendations, Gamber-Johnson product instruction sheets, or workmanship standards as endorsed through the Gamber-Johnson Certified Installer Program.

© copyright 2012 Gamber-Johnson, LLC