

INSTALLATION INSTRUCTIONS

Product

DS-140 VEHICLE BASE

FORD ESCAPE (2002-2012)
MERCURY MARINER (2002-2010)
MAZDA TRIBUTE (2002-2011)

Revision

Rev B

Form

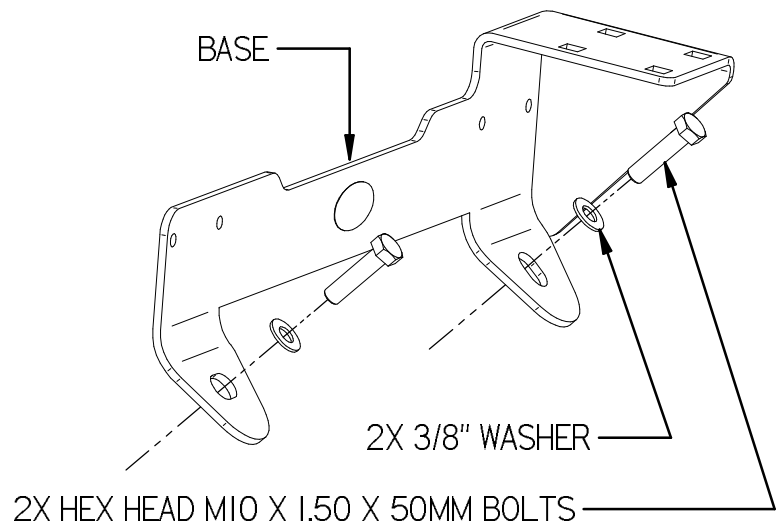
INST-303

Printing Spec: PS-001

The instructions that follow describe the method of installation recommended by the manufacturer.

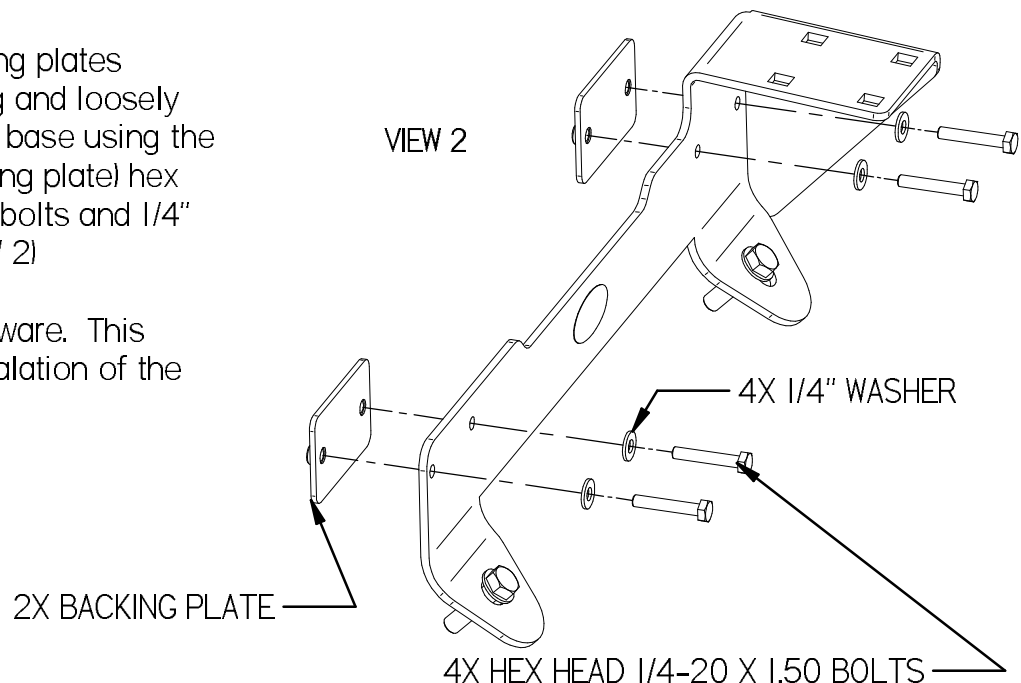
1. Remove the base from all its packaging.
2. Remove the front seat bolts on the passenger seat of the Ford Escape.
3. Place the base in the proper orientation, in front of the seat frame and loosely fasten the base to the seat using two hex head M10 x 1.50 x 50mm bolts with 3/8" washers supplied with hardware bag 7120-0366. (See VIEW 1)

VIEW 1



4. Place the backing plates behind the seat leg and loosely fasten them to the base using the four (two per backing plate) hex head 1/4-20 x 1.50 bolts and 1/4" washers. (See VIEW 2)

VIEW 2



5. Tighten all hardware. This concludes the installation of the DS-140.

Product Mounting Disclaimer

Gamber-Johnson is not liable under any theory of contract or tort law for any loss, damage, personal injury, special, incidental or consequential damages for personal injury or other damage of any nature arising directly or indirectly as a result of the improper installation or use of its products in vehicle or any other application. In order to safely install and use Gamber-Johnson products full consideration of vehicle occupants, vehicle systems (i.e., the location of fuel lines, brakes lines, electrical, drive train or other systems), air-bags and other safety equipment is required. Gamber-Johnson specifically disclaims any responsibility for the improper use or installation of its products not consistent with the original vehicle manufactures specifications and recommendations, Gamber-Johnson product instruction sheets, or workmanship standards as endorsed through the Gamber-Johnson Certified Installer Program.

© copyright 2012 Gamber-Johnson, LLC

If you need assistance or have questions, call Gamber-Johnson at 1-800-456-6868