

# INSTALLATION INSTRUCTIONS

## Product

ARMREST PRINTER MOUNT - PENTAX POCKETJET  
7160-0006, 7110-0995

## Date

Rev. B

## Form #

INST-317

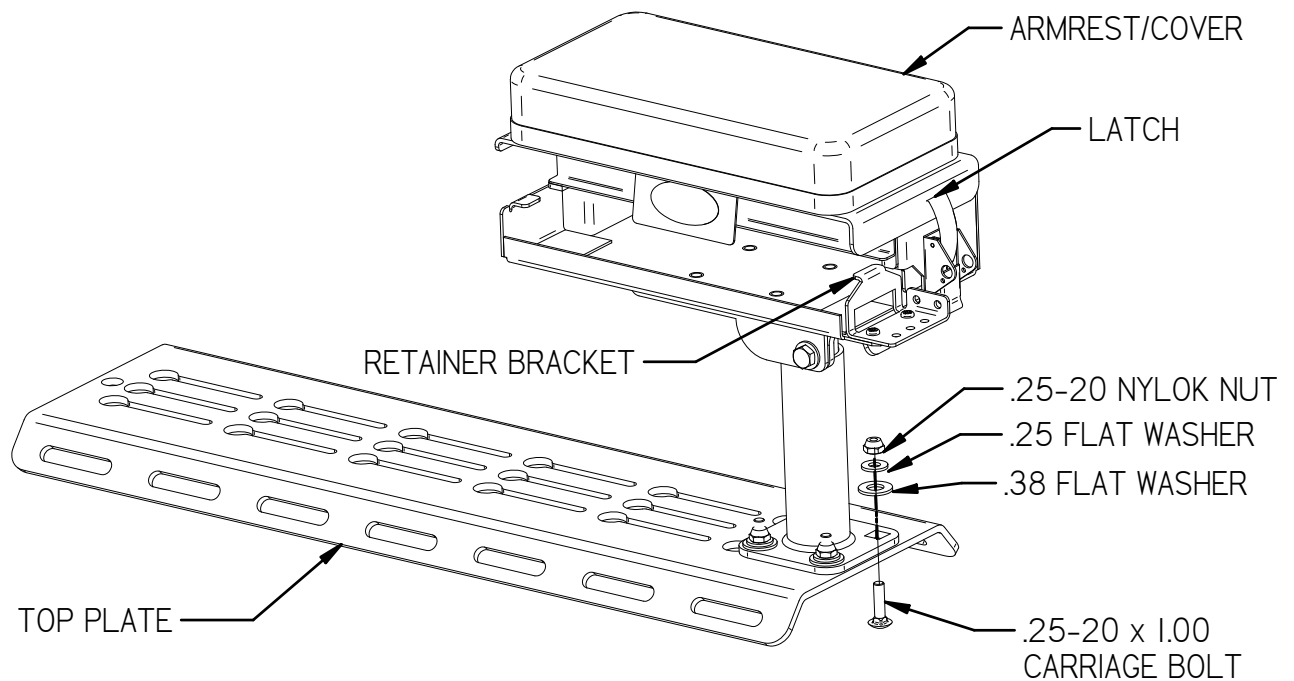
The **7160-0006 & 7110-0995 Armrest Printer Mounts for Pentax Pocketjet printers** are typically mounted on a Top Plate installed between the driver and passenger seats.

The hardware bag supplied with the 7160-0006 mount includes bolts, washers and nuts to attach the printer mount as shown below.

The height of the Armrest can be adjusted by tilting the upper portion of the mount back and loosening the bolt which runs down the center of the pole. Position the Armrest at the required height and re-tighten the bolt.

The Pentax Pocketjet Printer is installed by removing the Retainer Bracket and sliding the printer into the mount. Re-attach the Retainer Bracket to hold the printer in place. Connect power and data cables to the printer and secure them with cable ties.

Paper Rolls are installed into the Printer mount by releasing the latch and opening the Armrest/Cover. Place the paper roll on the nylon rod and feed into the printer per the instructions supplied with the printer. Close and latch the Armrest/Cover to protect the paper.



### Product Mounting Disclaimer

Gamber-Johnson is not liable under any theory of contract or tort law for any loss, damage, personal injury, special, incidental or consequential damages for personal injury or other damage of any nature arising directly or indirectly as a result of the improper installation or use of its products in vehicle or any other application. In order to safely install and use Gamber-Johnson products full consideration of vehicle occupants, vehicle systems (i.e., the location of fuel lines, brakes lines, electrical, drive train or other systems), air-bags and other safety equipment is required. Gamber-Johnson specifically disclaims any responsibility for the improper use or installation of its products not consistent with the original vehicle manufactures specifications and recommendations, Gamber-Johnson product instruction sheets, or workmanship standards as endorsed through the Gamber-Johnson Certified Installer Program.

© copyright 2011 Gamber-Johnson, LLC

If you need assistance or have questions, call Gamber-Johnson at 1-800-456-6868