

INSTALLATION INSTRUCTIONS

Product

7160-0045 VEHICLE BASE

Revision

Rev C

Form

INST-371

FORD F-250, F-350, F-450, F-550, F-750 SUPER DUTY (1999-2010 AUTOMATICS ONLY)
FORD EXCURSION (2000-2005)

Printing Spec: PS-001

The purpose of this installation instruction is to illustrate the manufacturer's recommended method of installation. The 2008 Ford Super Duty base is a no holes bored vehicle mount. The base mounts under the seat bracket and is compressed to the floor using the seat bolts.

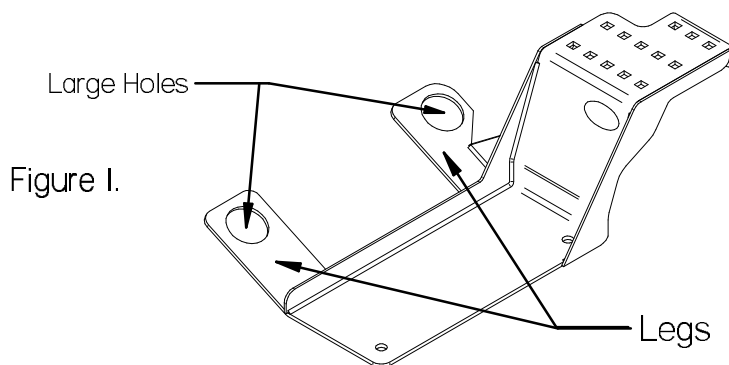
Note: For extra stability a support brace (LAC-02 W/U-DS or LAC-03 W/U-DS) is recommended.



- You must read and follow all of these installation instructions. Failure to follow all of these installation instructions may result in serious bodily injury or death.
 - Do not install or use the vehicle base in the area in which the airbag on the vehicle may be deployed if it is activated. The installer and user of the '08 Ford Super Duty Vehicle Base are responsible for installing and using the mounting system outside the area in which an airbag may be deployed if activated. (See Product Mounting Disclaimer Below)
 - Keep these installation instructions with the product and readily available in the vehicle for future reference of other users of the product.
 - Additional copies of the installation instructions can be obtained from Gamber-Johnson.
- If you need assistance or have any questions, call Gamber-Johnson at 1-800-456-6868.
- Do not remove warning label from product under any circumstances.

Mounting the base to a passenger side bucket seat: (See figure I.)

1. Remove the front seat bolts from the passenger seat. While lifting the front of the seat, slide the legs of the base under the passenger seat mounting brackets. When the legs of the base are centered under the passenger seat mounting brackets, let the seat settle back into place. The legs of the seat brackets each have a large depression where the seat bolt passes through. These large depressions will align with the large holes in the legs of the '08 Super Duty vehicle base.
2. If you find difficulty aligning the front seat bolts with the base in place, try loosening the rear seat bolts. This will give you enough play to align the holes.
3. Fasten the front of the passenger seat and the vehicle base with the seat bolts you removed earlier.
4. Fasten the rear seat bolts if you had to loosen them.



Product Mounting Disclaimer

Gamber-Johnson is not liable under any theory of contract or tort law for any loss, damage, personal injury, special, incidental or consequential damages for personal injury or other damage of any nature arising directly or indirectly as a result of the improper installation or use of its products in vehicle or any other application. In order to safely install and use Gamber-Johnson products full consideration of vehicle occupants, vehicle systems (i.e., the location of fuel lines, brakes lines, electrical, drive train or other systems), air-bags and other safety equipment is required. Gamber-Johnson specifically disclaims any responsibility for the improper use or installation of its products not consistent with the original vehicle manufacturer's specifications and recommendations, Gamber-Johnson product instruction sheets, or workmanship standards as endorsed through the Gamber-Johnson Certified Installer Program.

© copyright 2012 Gamber-Johnson, LLC

Mounting the '08 Super Duty Base to a bench seat: (See figure 2.)

1. Remove the front seat bolt from the passenger side of the seat. While lifting the front of the seat, slide the leg of the Vehicle Base under the passenger seat mounting bracket. When the leg of the Base is centered under the passenger seat mounting bracket, let the seat settle back into place. The leg of the seat bracket has a large depression where the seat bolt passes through. This large depression will align with the large hole in the leg of the '08 Super Duty Vehicle Base.
2. Most Ford floor pans (when used with a bench seat) have a hole in the floor with a welded nut on the underside of the vehicle. This hole is usually covered with a plastic plug. (If there is no hole previously placed in the floorpan from the factory, you must drill a hole.)
3. Cut a small hole in the floor covering and remove the plastic plug.
4. From the hardware bag, place the spacer with an outer diameter of 1.75" into the large hole of the inner leg of the '08 Super Duty Vehicle Base. Align the hole in the spacer with the hole in the floor.
5. Fasten down the inner leg of the Vehicle Base with a M12 bolt, and the washer with an outer diameter of 3.00"; both found in the hardware bag (If you had to drill a hole in the floor you will need to fasten down the base with a fender washer and lock nut, NOT INCLUDED, on the under side of the vehicle).
6. Fasten the passenger seat and the outer leg of the '08 Super Duty Vehicle Base with the seat bolt you removed earlier.

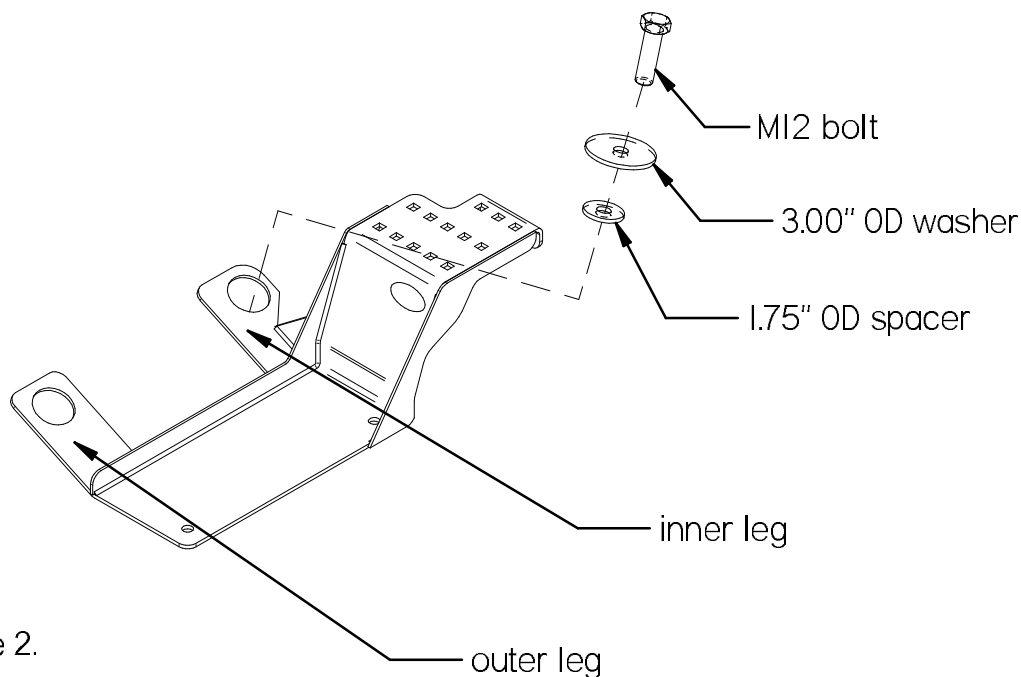


Figure 2.



- The components added to the '08 Ford Super Duty Vehicle Base should not be positioned in the area where the airbag may be deployed if it is activated. **DO NOT** position the equipment in front of an airbag. Equipment positioned in front of an airbag may cause serious injury or death if an airbag was activated.
- High speed vehicle turns may cause the assembly to swivel, interfering with the driver or other equipment.
- If installation of the equipment requires that the equipment be placed in front of an airbag, deactivate the airbag in the vehicle so it cannot be activated. In order to secure permission for deactivating the airbag in these circumstances, contact the National Highway Traffic Safety Administration at 1-800-424-9393. If you have any questions or need assistance, call Gamber-Johnson at 1-800-456-6868.