

INSTALLATION INSTRUCTIONS

Product

7160-0133 VEHICLE BASE

Revision

Rev D

Form

INST-382

FORD E-SERIES VAN (1995-2005)
GMC G-SERIES VAN (1995-2009)

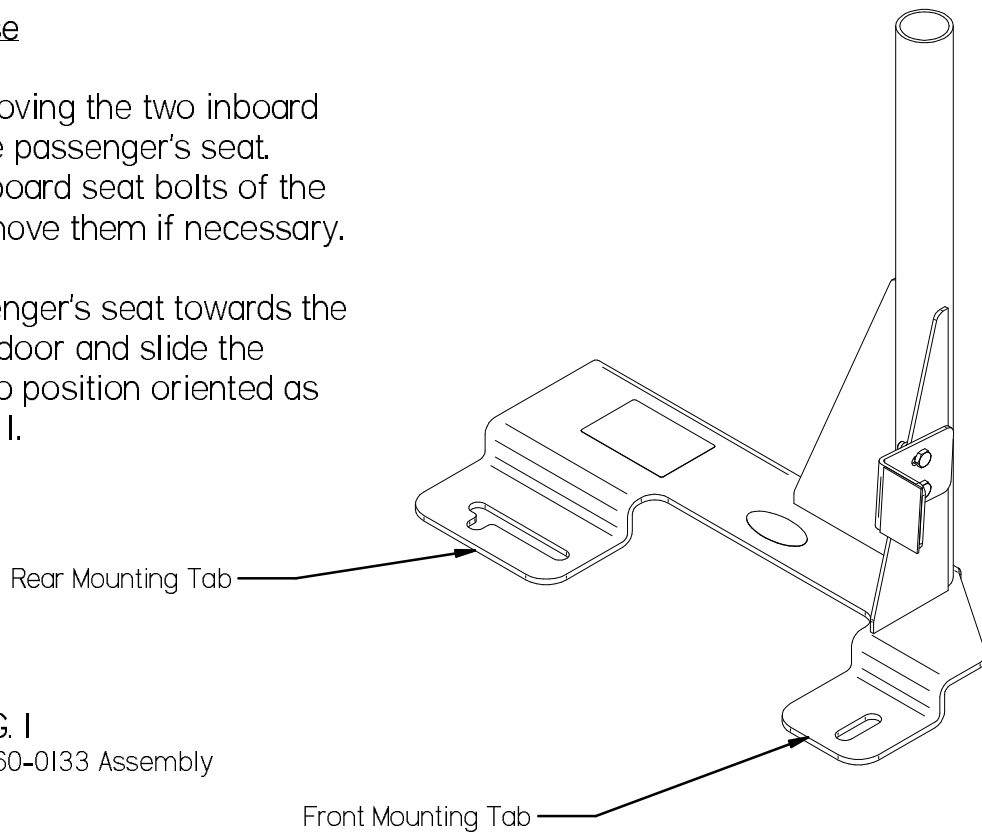
Printing Spec: PS-001



- You must read and follow all of these installation instructions. Failure to follow the installation instructions may result in serious bodily injury or death.
- Do not install or use the 7160-0133 Assembly in the area in which the airbag on the vehicle may be deployed. The installer and user of the 7160-0133 Assembly are responsible for installing and using the 7160-0133 Assembly outside the area in which an airbag may be deployed. (See Product Mounting Disclaimer Below)
- Keep these installation instructions with the product and readily available in the vehicle for future reference of other users of the product.
- Additional copies of the installation instructions can be obtained from Gamber-Johnson. If you need assistance or have any questions, call Gamber-Johnson at 1-800-456-6868.
- Do not remove warning label from product under any circumstances.

Mounting the Base

1. Begin by removing the two inboard seat bolts of the passenger's seat. Loosen the outboard seat bolts of the same seat. Remove them if necessary.
2. Tilt the passenger's seat towards the passenger side door and slide the vehicle base into position oriented as illustrated in FIG. 1.



Product Mounting Disclaimer

Gamber-Johnson is not liable under any theory of contract or tort law for any loss, damage, personal injury, special, incidental or consequential damages for personal injury or other damage of any nature arising directly or indirectly as a result of the improper installation or use of its products in vehicle or any other application. In order to safely install and use Gamber-Johnson products full consideration of vehicle occupants, vehicle systems (i.e., the location of fuel lines, brakes lines, electrical, drive train or other systems), air-bags and other safety equipment is required. Gamber-Johnson specifically disclaims any responsibility for the improper use or installation of its products not consistent with the original vehicle manufactures specifications and recommendations, Gamber-Johnson product instruction sheets, or workmanship standards as endorsed through the Gamber-Johnson Certified Installer Program.

© copyright 2012 Gamber-Johnson, LLC

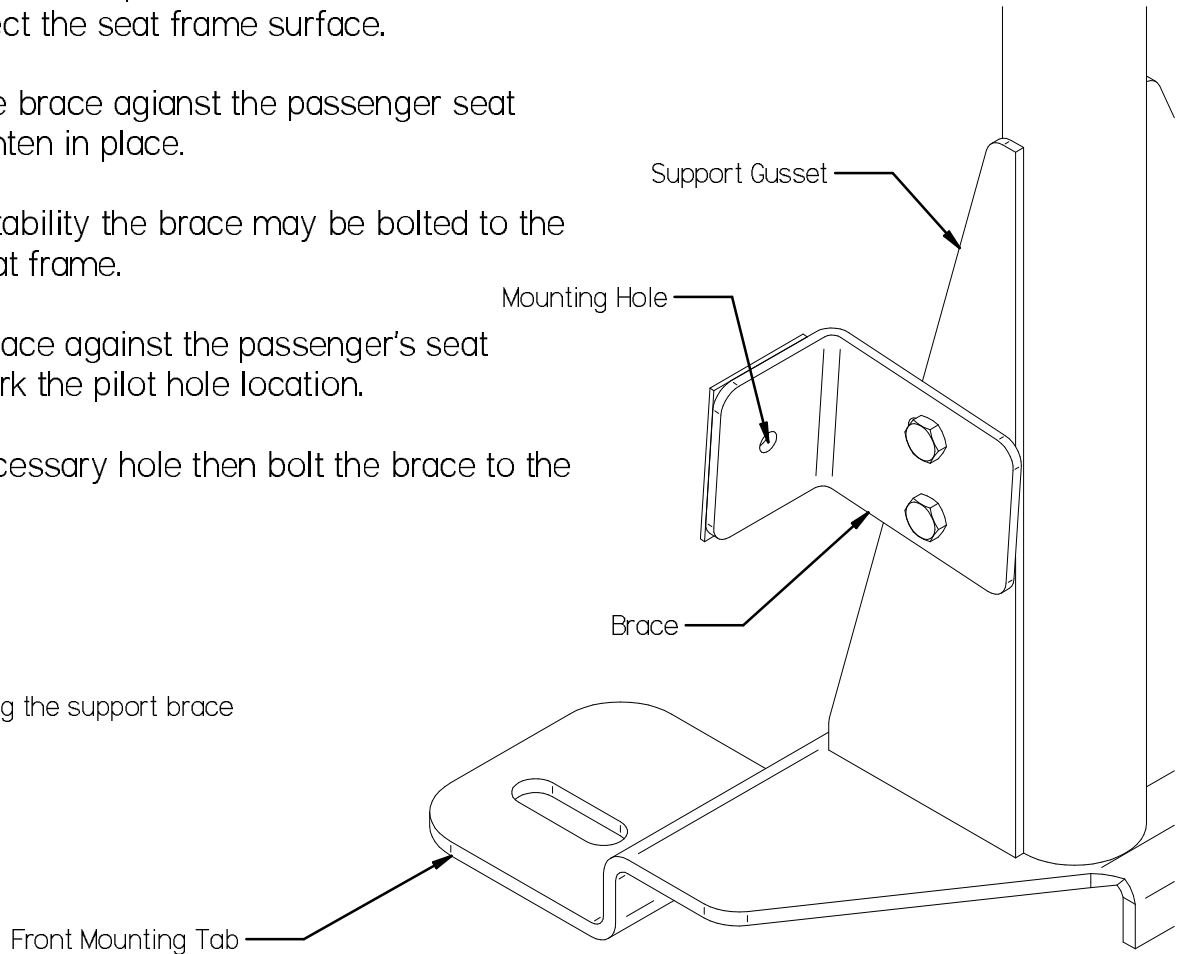
If you need assistance or have questions, call Gamber-Johnson at 1-800-456-6868

1/2

Stabilizing the Base

1. Attach brace to support gusset using .25-20 bolts, washers and nuts supplied in hardware bag. If needed apply cushion pad to outside surface of brace to protect the seat frame surface.
2. Position the brace against the passenger seat frame and tighten in place.
3. For extra stability the brace may be bolted to the passenger seat frame.
3. Align the brace against the passenger's seat frame and mark the pilot hole location.
4. Drill the necessary hole then bolt the brace to the seat frame.

FIG. 2
Fastening the support brace



⚠ WARNING ⚠

- The 7160-0133 Assembly should not be positioned in the area where the airbag may be deployed.
- DO NOT position the equipment in front of an airbag. Equipment positioned in front of an airbag may cause serious injury or death if an airbag is activated.
- High speed vehicle turns may cause parts of the assembly to swivel, interfering with the driver or other equipment.
- If installation of the equipment requires that the equipment be placed in front of an airbag, the airbag should be deactivated. In order to secure permission for deactivating the airbag you must contact the National Highway Traffic Safety Administration at 1-800-424-9393 to gain permission to do so. If you have any questions or need assistance, call Gamber-Johnson at 1-800-456-6868.