



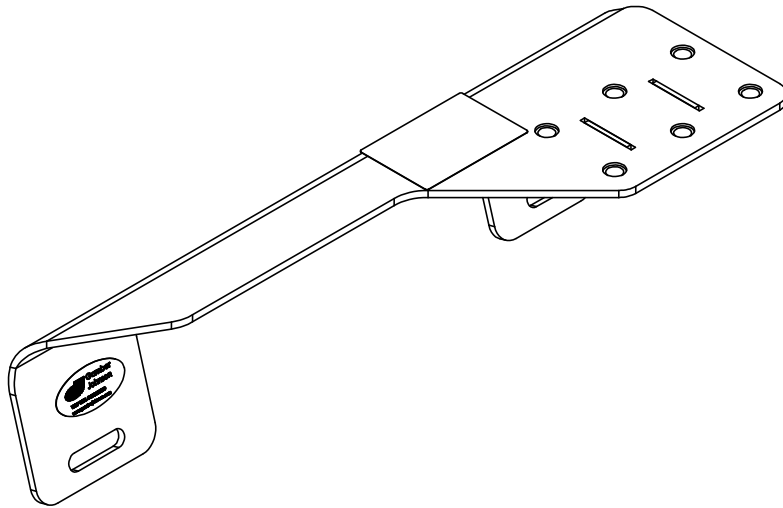
INSTALLATION INSTRUCTIONS

Product**7160-0182 VEHICLE BASE****Revision**

Rev.D

Form

INST-425

**DODGE RAM 1500-5500 (2002+)
STERLING BULLET 4500/5500 (2008)****Printing Spec:PS-001****To Install:**

1. Begin by moving the passenger seat as far back as possible.
2. Remove the front seat bolts of the front passenger seat that secure the seat to the vehicle floor.
3. Without removing the seat, place the vehicle base in front of the bolt holes of the seat legs.
4. Re-install the seat bolts.
5. Slide the base towards the center of the vehicle as far as possible.
6. Tighten the seat bolts.

If the vehicle does not have a center console it is recommended to use a DS-STEP and a DS-LOWER-7 pole. If the vehicle does have a center console it is recommended to use a DS-LOWER-13 pole.

Attach support brace 7160-0230 for increased stability.

Product Mounting Disclaimer

Gamber-Johnson is not liable under any theory of contract or tort law for any loss, damage, personal injury, special, incidental or consequential damages for personal injury or other damage of any nature arising directly or indirectly as a result of the improper installation or use of its products in vehicle or any other application. In order to safely install and use Gamber-Johnson products full consideration of vehicle occupants, vehicle systems (i.e., the location of fuel lines, brakes lines, electrical, drive train or other systems), air-bags and other safety equipment is required. Gamber-Johnson specifically disclaims any responsibility for the improper use or installation of its products not consistent with the original vehicle manufactures specifications and recommendations, Gamber-Johnson product instruction sheets, or workmanship standards as endorsed through the Gamber-Johnson Certified Installer Program.

© Copyright 2017 Gamber-Johnson, LLC

If you need assistance or have questions, call Gamber-Johnson at 1-800-456-6868