

INSTALLATION INSTRUCTIONS

<u>Product</u>	<u>Revision</u>	<u>Form#</u>
7160-0323 VEHICLE BASE DODGE DURANGO (2011+) JEEP GRAND CHEROKEE (2011+)	Rev B	INST-523
		Printing Spec: PS-001

The purpose of this instruction sheet is to illustrate the manufacturer's recommended method of installing the Dodge Durango 2011+ vehicle base in a Durango and Grand Cherokee. The base is a simple and discreet solution that installs in minutes and requires no drilling.

Tools Needed

15mm socket
Flat head screwdriver
9/16 wrench

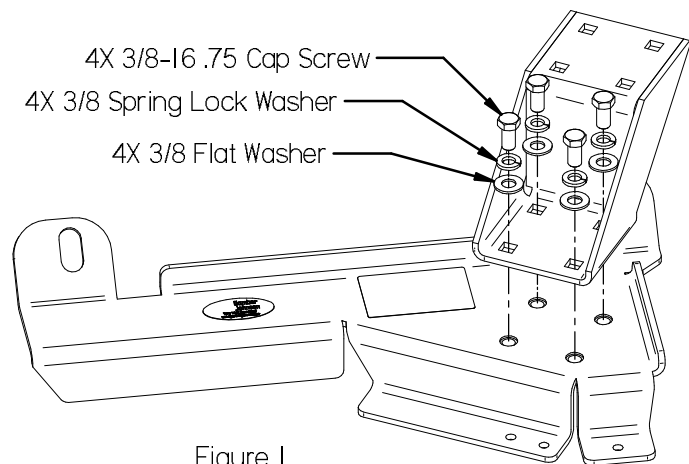


Figure 1

Installation

- Using the flat head screwdriver or similar tool remove the circular plastic covers over the front seat bolts of the passenger seat.
- Remove the seat bolts located at the front of the passenger seat.
- Slide the seat forward to its limit.
- Using the flat head screwdriver or similar tool open the rectangular plastic covers over the rear seat bolts of the passenger seat.
- Remove the seat bolts located at the rear of the passenger seat.
- Close the rectangular plastic covers.
- Slide the seat backward to its limit.
- Slide the base between the seat legs and the vehicle floor pan (see Figure 2).
- Align the slots of the base with the mounting holes on the seat and vehicle floor.
- Re-insert the bolts removed in STEP 2.
- Re-insert the bolts removed in STEP 5.
- Tighten all four (4) seat bolts securing the passenger seat.
- Secure the plastic bolt covers.
- Secure the Offset Riser to the Dodge Durango base.



Figure 2

Product Mounting Disclaimer

Gamber-Johnson is not liable under any theory of contract or tort law for any loss, damage, personal injury, special, incidental or consequential damages for personal injury or other damage of any nature arising directly or indirectly as a result of the improper installation or use of its products in vehicle or any other application. In order to safely install and use Gamber-Johnson products full consideration of vehicle occupants, vehicle systems (i.e., the location of fuel lines, brakes lines, electrical, drive train or other systems), air-bags and other safety equipment is required. Gamber-Johnson specifically disclaims any responsibility for the improper use or installation of its products not consistent with the original vehicle manufactures specifications and recommendations, Gamber-Johnson product instruction sheets, or workmanship standards as endorsed through the Gamber-Johnson Certified Installer Program.

© copyright 2012 Gamber-Johnson, LLC

Floor Bolt Support (Optional)

The stiffness of the base can be increased by securing the front foot with a 1/4-in through bolt. Before adding floor bolts look under the carpet and under the vehicle.

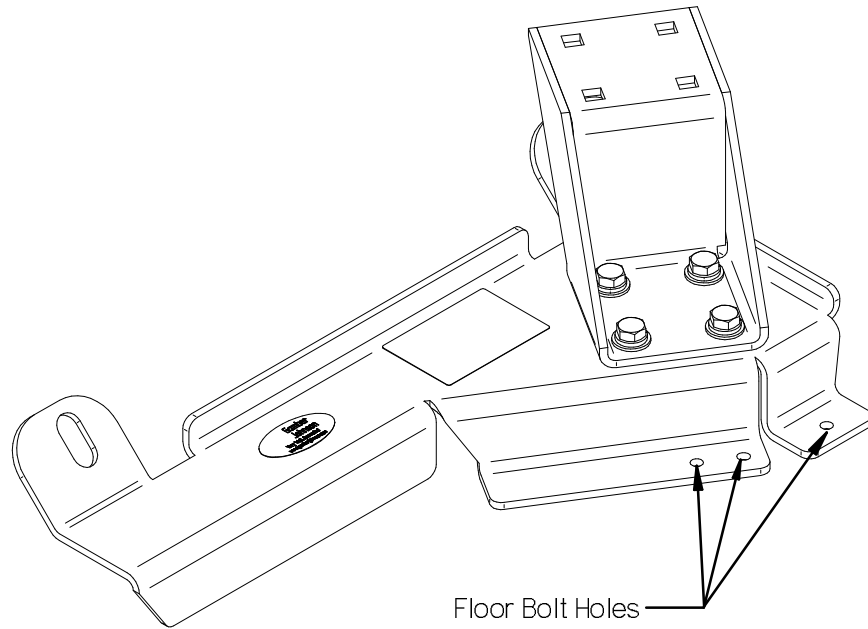


Figure 3



Figure 4 - Completed install.