



Very Well Connected™

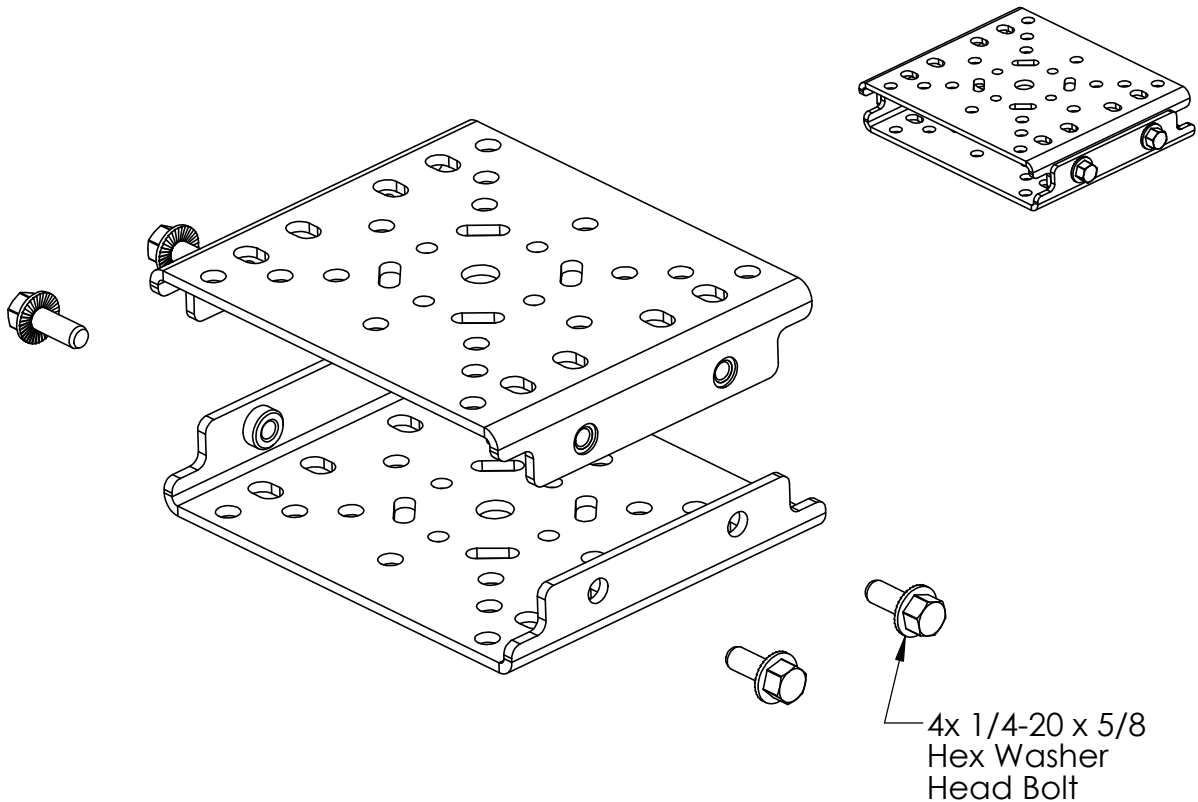
INSTALLATION INSTRUCTIONS

Product 7160-0454 Universal Adapter	Revision Rev.C	Form INST-586 Printing Spec: PS-001
--	--------------------------	---

The Universal Adapter is a mount designed to attach Gamber-Johnson docking stations and cradles to competitor products.

Installing the mount

1. Attach one adapter plate to the competitor equipment with hardware supplied with the competitor equipment. See page 2 for competitor hole patterns.
2. Attach one adapter plate to the Gamber-Johnson equipment with the hardware supplied with the Gamber-Johnson equipment or with the 1/4-20 hardware provided with the Universal Adapter.
3. Attach the two adapter brackets together as shown below with the 1/4-20 washer head bolts supplied in hardware bag 7120-0596.

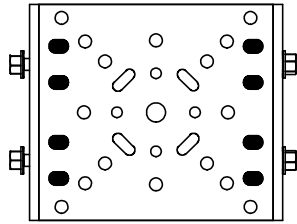


Product Mounting Disclaimer

Gamber-Johnson is not liable under any theory of contract or tort law for any loss, damage, personal injury, special, incidental or consequential damages for personal injury or other damage of any nature arising directly or indirectly as a result of the improper installation or use of its products in vehicle or any other application. In order to safely install and use Gamber-Johnson products full consideration of vehicle occupants, vehicle systems (i.e., the location of fuel lines, brakes lines, electrical, drive train or other systems), air-bags and other safety equipment is required. Gamber-Johnson specifically disclaims any responsibility for the improper use or installation of its products not consistent with the original vehicle manufactures specifications and recommendations, Gamber-Johnson product instruction sheets, or workmanship standards as endorsed through the Gamber-Johnson Certified Installer Program.

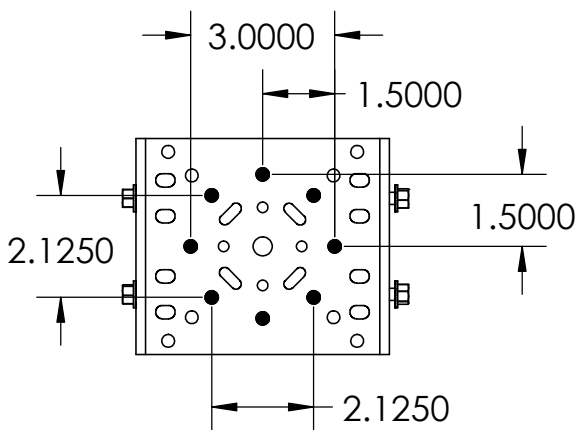
© Copyright 2012 Gamber-Johnson, LLC

If you need assistance or have questions, call Gamber-Johnson at 1-800-456-6868

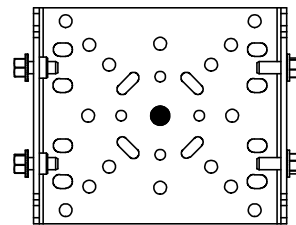


Gamber-Johnson 2.00" x 4.094"
hole pattern

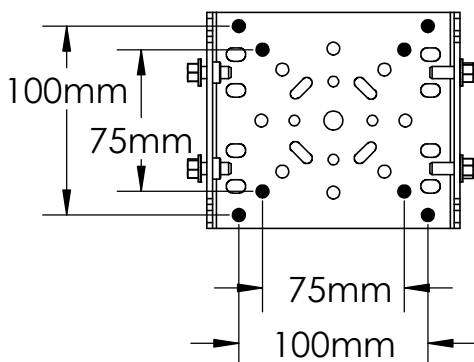
Havis hole patterns
2.125 x 2.125
1.50 x 3.00



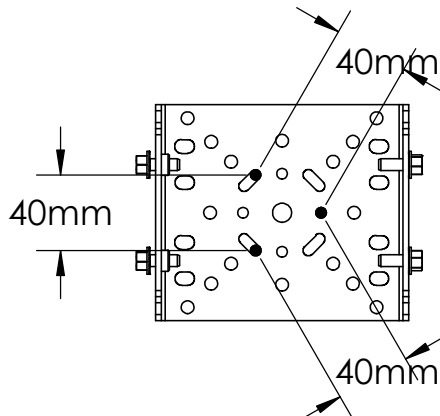
PMT hole pattern 3/8" sine bolt



VESA 75mm & 100mm
hole patterns



NEC hole pattern
40mm



AMPS hole pattern
30mm x 38mm

