

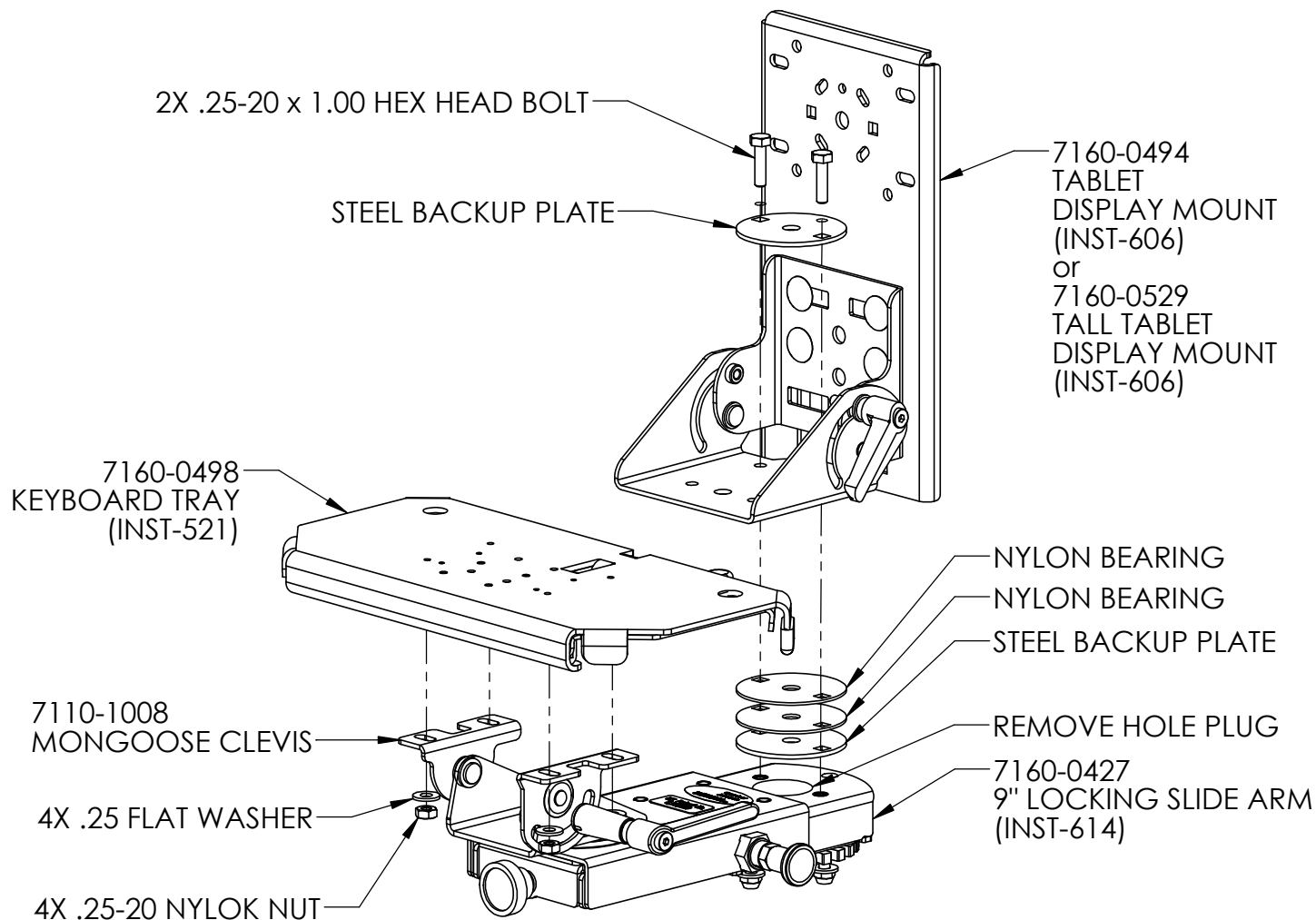


Very Well Connected™

# INSTALLATION INSTRUCTIONS

| <u>Product</u>   | <u>Revision</u> | <u>Form</u>           |
|--|-----------------|-----------------------|
| <b>7170-0218</b><br><b>KIT - TABLET DISPLAY MOUNT,</b><br><b>9" LOCKING SLIDE ARM, KEYBOARD TRAY</b>         | Rev. D          | INST-635              |
| <b>7170-0218-01</b><br><b>KIT - TALL TABLET DISPLAY MOUNT,</b><br><b>9" LOCKING SLIDE ARM, KEYBOARD TRAY</b> |                 |                       |
|  |                 | Printing Spec: PS-001 |

Assemble 7170-0218 and 7170-0218-01 Kit components as shown below. Refer to the instruction sheet supplied with each component for details specific to the component.



#### Product Mounting Disclaimer

Gamber-Johnson is not liable under any theory of contract or tort law for any loss, damage, personal injury, special, incidental or consequential damages for personal injury or other damage of any nature arising directly or indirectly as a result of the improper installation or use of its products in vehicle or any other application. In order to safely install and use Gamber-Johnson products full consideration of vehicle occupants, vehicle systems (i.e., the location of fuel lines, brakes lines, electrical, drive train or other systems), air-bags and other safety equipment is required. Gamber-Johnson specifically disclaims any responsibility for the improper use or installation of its products not consistent with the original vehicle manufactures specifications and recommendations, Gamber-Johnson product instruction sheets, or workmanship standards as endorsed through the Gamber-Johnson Certified Installer Program.

© Copyright 2014 Gamber-Johnson, LLC

If you need assistance or have questions, call Gamber-Johnson at 1-800-456-6868