



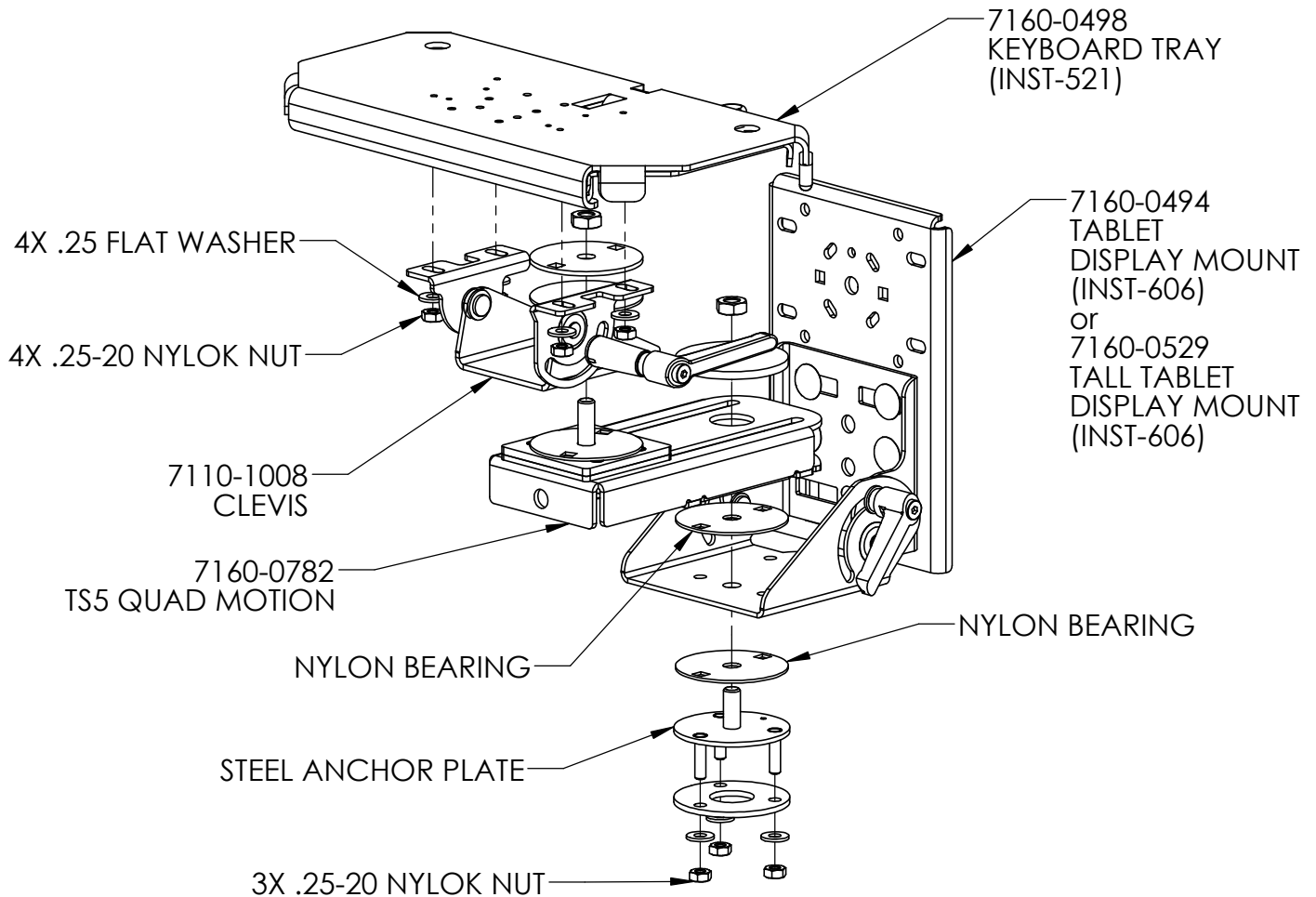
Very Well Connected™

INSTALLATION INSTRUCTIONS

Product 7170-0219 KIT - TABLET DISPLAY MOUNT, QUAD-MOTION TS5, KEYBOARD TRAY 7170-0219-01 KIT - TALL TABLET DISPLAY MOUNT, QUAD-MOTION TS5, KEYBOARD TRAY	Revision Rev. F	Form INST-636
--	---------------------------	-------------------------

Printing Spec: PS-001

Assemble 7170-0219 and 7170-0219-01 Kit components as shown below. Refer to the instruction sheet supplied with each component for details specific to the component.



Product Mounting Disclaimer

Gamber-Johnson is not liable under any theory of contract or tort law for any loss, damage, personal injury, special, incidental or consequential damages for personal injury or other damage of any nature arising directly or indirectly as a result of the improper installation or use of its products in vehicle or any other application. In order to safely install and use Gamber-Johnson products full consideration of vehicle occupants, vehicle systems (i.e., the location of fuel lines, brakes lines, electrical, drive train or other systems), air-bags and other safety equipment is required. Gamber-Johnson specifically disclaims any responsibility for the improper use or installation of its products not consistent with the original vehicle manufactures specifications and recommendations, Gamber-Johnson product instruction sheets, or workmanship standards as endorsed through the Gamber-Johnson Certified Installer Program.

© Copyright 2014 Gamber-Johnson, LLC

If you need assistance or have questions, call Gamber-Johnson at 1-800-456-6868