

INSTALLATION INSTRUCTIONS

Product

7160-0555

LEG KIT - FORD - F150 2015+

Revision

Rev.C

Form

INST-659

Printing Spec: PS-001

The 7160-0554 leg kit is designed to mount on the transmission hump in a 2015 Ford F150.

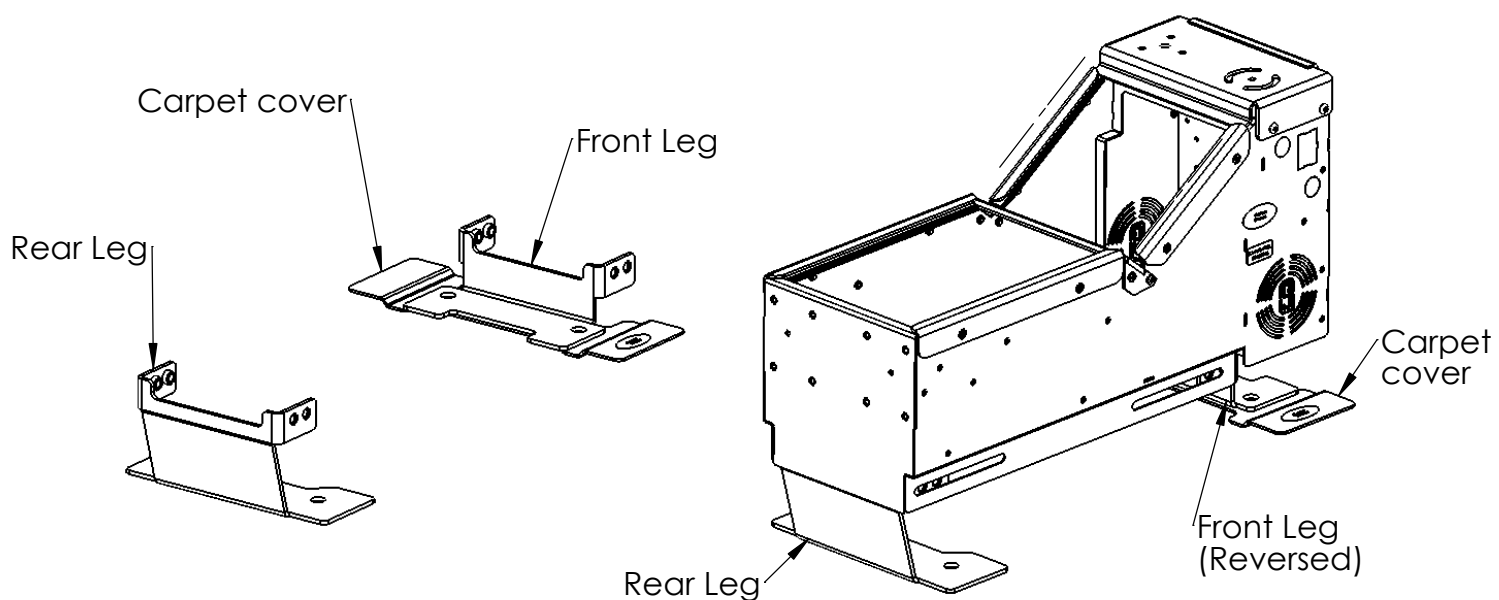


Figure 1.
7160-0555- F150 Leg Kit
(used with a top plate)

Figure 2.
7170-0546 - Console + Leg Kit

INSTALLATION INSTRUCTIONS:

1. Remove the factory/OEM console.
2. Remove the steel brackets to which the OEM console was attached.
3. When mounting a top plate to the legs, reference Figure 1 when attaching the leg kit on the transmission hump. If you are mounting a console box to the legs, reference Figure 2 when attaching the leg kit on the transmission hump.
4. Secure the legs to the transmission hump with the hardware that was removed in step 2.
5. Attach the top plate or console box (depending on what you purchased) to the top of the legs with the hardware provided in hardware bag 7120-0215.

Product Mounting Disclaimer

Gamber-Johnson is not liable under any theory of contract or tort law for any loss, damage, personal injury, special, incidental or consequential damages for personal injury or other damage of any nature arising directly or indirectly as a result of the improper installation or use of its products in vehicle or any other application. In order to safely install and use Gamber-Johnson products full consideration of vehicle occupants, vehicle systems (i.e., the location of fuel lines, brakes lines, electrical, drive train or other systems), air-bags and other safety equipment is required. Gamber-Johnson specifically disclaims any responsibility for the improper use or installation of its products not consistent with the original vehicle manufactures specifications and recommendations, Gamber-Johnson product instruction sheets, or workmanship standards as endorsed through the Gamber-Johnson Certified Installer Program.

© Copyright 2014 Gamber-Johnson, LLC

If you need assistance or have questions, call Gamber-Johnson at 1-800-456-6868



Very Well Connected™



- You must read and follow all of these installation instructions. Failure to follow all of these installation instructions may result in serious bodily injury or death.
- Keep these installation instructions with the product and readily available in the vehicle for future reference of other users of the product.
- Additional copies of the installation instructions can be obtained from Gamber Johnson.
- If you need assistance or have any questions, call Gamber-Johnson at 1-800-456-6868.
- Do not remove warning label from product under any circumstances.
- Before installation of any equipment always check area for routing of wires / cables and if drilling is required check area where drilling above and below the drilling area.
- High speed vehicle turns may cause a motion attachment product to swivel, interfering with the driver or other equipment.
- The Vehicle Base, Upper Pole, Motion Attachment and Dock or Cradle should not be positioned in the area where the airbag will be deployed if it is activated. DO NOT position the equipment in front of an airbag. Equipment positioned in front of an airbag can cause serious injury or death if and airbag was activated, such as in an accident.
- The installer and user of this product(s) are responsible for installing and using Upper Pole, Motion Attachment and Dock or Cradle assemblies outside the airbag deployment zone. (See Product Mounting Disclaimer Below)
- If installation of the equipment requires that the equipment be placed in front of an airbag, deactivate the airbag in the vehicle so it cannot be activated in an accident. In order to secure permission for deactivating the airbag in these circumstances, contact the National Highway Traffic Safety Administration at 1-800-424-9393 to gain permission to do so. If you have any questions or need assistance, call Gamber Johnson at 1-800-456-6868.

Product Mounting Disclaimer

Gamber-Johnson is not liable under any theory of contract or tort law for any loss, damage, personal injury, special, incidental or consequential damages for personal injury or other damage of any nature arising directly or indirectly as a result of the improper installation or use of its products in vehicle or any other application. In order to safely install and use Gamber-Johnson products full consideration of vehicle occupants, vehicle systems (i.e., the location of fuel lines, brakes lines, electrical, drive train or other systems), air-bags and other safety equipment is required. Gamber-Johnson specifically disclaims any responsibility for the improper use or installation of its products not consistent with the original vehicle manufactures specifications and recommendations, Gamber-Johnson product instruction sheets, or workmanship standards as endorsed through the Gamber-Johnson Certified Installer Program.

© Copyright 2014 Gamber-Johnson, LLC

If you need assistance or have questions, call Gamber-Johnson at 1-800-456-6868