



Very Well Connected™

INSTALLATION INSTRUCTIONS

Product

7160-0820

Dodge Charger Close-To-Dash Mount

Revision

Rev.B

Form

INST-714

Printing Spec: PS-001



WARNING



- You must read and follow all of these installation instructions. Failure to follow the installation instructions may result in serious bodily injury or death.
- DO NOT install or use this assembly in the area in which the airbag on the vehicle may be deployed. The installer and user of this assembly are responsible for installing and using this assembly outside the area in which an airbag may be deployed. (See Product Mounting Disclaimer Below)
- If the installation of the equipment requires that the equipment (or any additional equipment that is added to the installation) be placed in front of an airbag, the airbag should be deactivated. In order to secure permission for deactivating the airbag you must contact the National Highway Traffic Safety Administration at 1-800-424-9393 to gain permission to do so. If you have any questions or need assistance, call Gamber-Johnson at 1-800-456-6868.
- High speed vehicle turns may cause parts of the assembly to swivel, interfering with the driver or other equipment.
- Keep these installation instructions with the product and readily available in the vehicle for future reference of other users of the product.
- Additional copies of the installation instruction can be obtained from Gamber-Johnson. If you need assistance or have any questions, go to www.gamberjohnson.com or call Gamber-Johnson at 1-800-456-6868.
- DO NOT remove the warning label from the product under any circumstances.

Product Mounting Disclaimer

Gamber-Johnson is not liable under any theory of contract or tort law for any loss, damage, personal injury, special, incidental or consequential damages for personal injury or other damage of any nature arising directly or indirectly as a result of the improper installation or use of its products in vehicle or any other application. In order to safely install and use Gamber-Johnson products full consideration of vehicle occupants, vehicle systems (i.e., the location of fuel lines, brakes lines, electrical, drive train or other systems), air-bags and other safety equipment is required. Gamber-Johnson specifically disclaims any responsibility for the improper use or installation of its products not consistent with the original vehicle manufactures specifications and recommendations, Gamber-Johnson product instruction sheets, or workmanship standards as endorsed through the Gamber-Johnson Certified Installer Program.

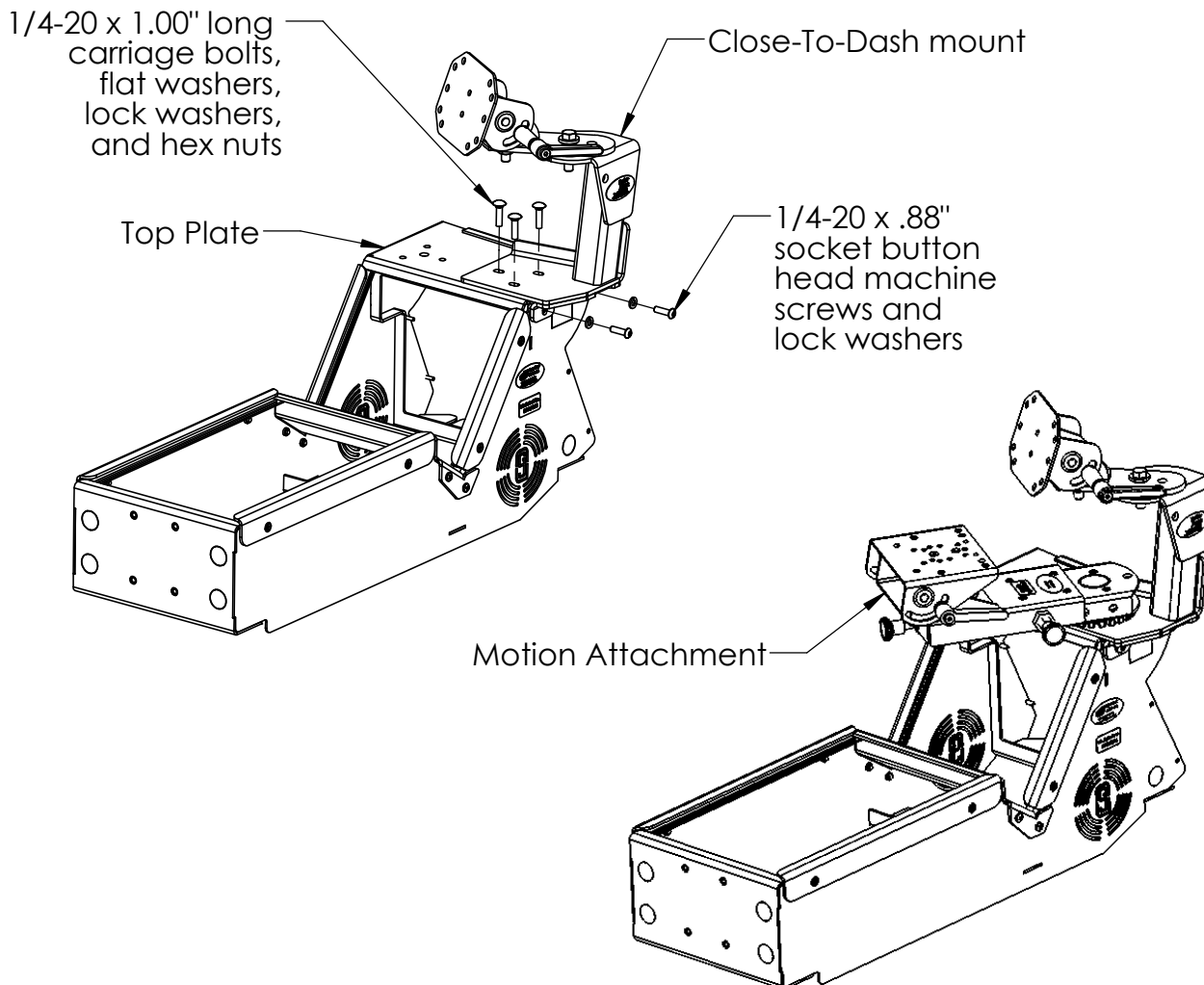
copyright 2016 Gamber-Johnson, LLC

If you need assistance or have questions, call Gamber-Johnson at 1-800-456-6868

The Dodge Charger Close-To-Dash mount (7160-0820) is designed to mount on top of a Gamber-Johnson vehicle specific console box 7160-0326 or 7160-0353. Modifying the Close-To-Dash mount or other Gamber-Johnson products (ie. console boxes to mount the Close-To-Dash mount will void the warranty on the Gamber-Johnson products.

Attaching the mount to the Console box:

1. Remove the (2) 1/4-20 x .50" long socket head machine screws that hold the top plate on the right side of the console box.
2. Place the mount into position and attach with the 1/4-20 x .88" long socket button head machine screws and lock washers found in the hardware bag. These screws mount in the location the 1/2" long screws were removed in step 1.
3. The top side of the mount is held down with the 1/4-20 x 1.00" long carriage bolts, flat washers, lock washers, and hex nuts found in the hardware bag.
4. In lieu of the carriage bolts, a motion attachment like the Mongoose (7160-0220) or the 6" locking slide arm (7160-0500) can be used to mount a keyboard and hold the Close-To-Dash mount down to the top plate.



If you need assistance or have questions, call Gamber-Johnson at 1-800-456-6868