



Very Well Connected™

# INSTALLATION INSTRUCTIONS

<u>Product</u>	<u>Revision</u>	<u>Form</u>
7160-0888: PRINTER BRACKET, DATAMAX O'NEIL RL4	REV. A	INST-750

**Printing Spec: PS-001**

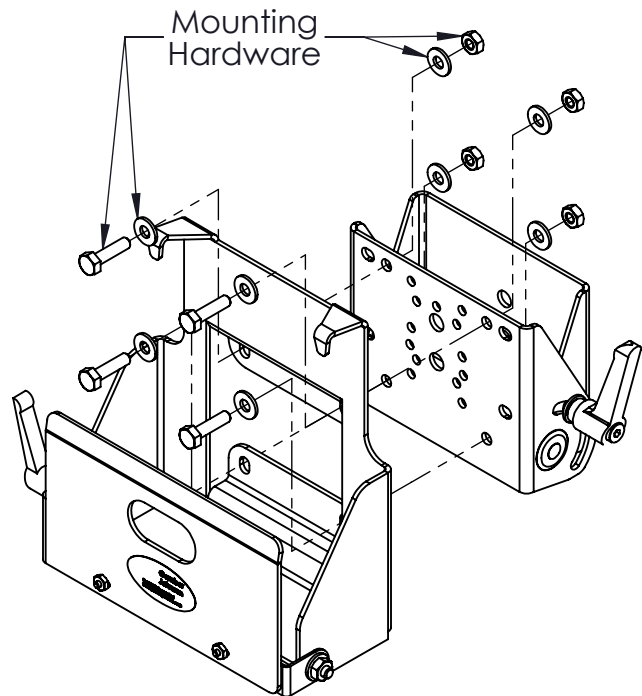
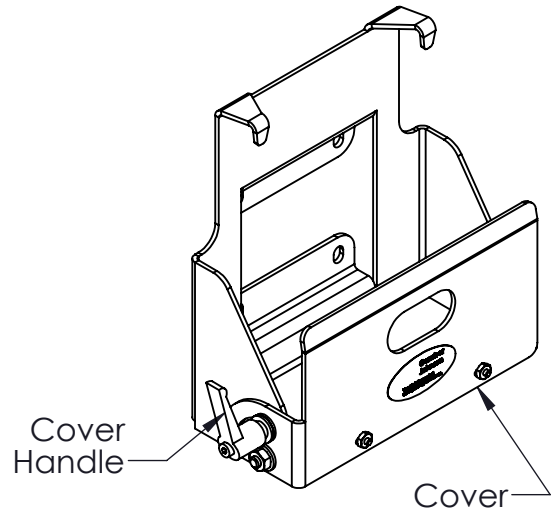
The Datamax O'Neil RL4 Printer Mount 7160-0888, is typically mounted to the forklift Overhead Guard Leg using 7160-0357 Small Plate with Clamshell or 7160-0370 Large Plate with Clamshell assemblies.

Attach the Printer Mount to the Clamshell using (4) 1/4-20 Hex Bolts, (4) 1/4-20 Nylok Hex Nuts, and (8) flat washers supplied in hardware bag. (NOTE: If printer is equipped with a battery eliminator the power cord will have to be routed through the Printer Mount before mounting.)

Loosen cover handle and tip cover forward. Insert printer into the mount if not already inserted. Move cover up over the printer and tighten cover handle to secure the printer.

Plug in any power and data cables as needed.

NOTE: Printer Mount is capable of mounting to any VESA 75 mounting hole pattern.



#### Product Mounting Disclaimer

Gamber-Johnson is not liable under any theory of contract or tort law for any loss, damage, personal injury, special, incidental or consequential damages for personal injury or other damage of any nature arising directly or indirectly as a result of the improper installation or use of its products in vehicle or any other application. In order to safely install and use Gamber-Johnson products full consideration of vehicle occupants, vehicle systems (i.e., the location of fuel lines, brakes lines, electrical, drive train or other systems), air-bags and other safety equipment is required. Gamber-Johnson specifically disclaims any responsibility for the improper use or installation of its products not consistent with the original vehicle manufactures specifications and recommendations, Gamber-Johnson product instruction sheets, or workmanship standards as endorsed through the Gamber-Johnson Certified Installer Program.

© copyright 2011 Gamber-Johnson, LLC

If you need assistance or have questions, call Gamber-Johnson at 1-800-456-6868