



INSTALLATION INSTRUCTIONS

Product
SMALL WORKSTATION

Revision
Rev.B

Form
INST-781

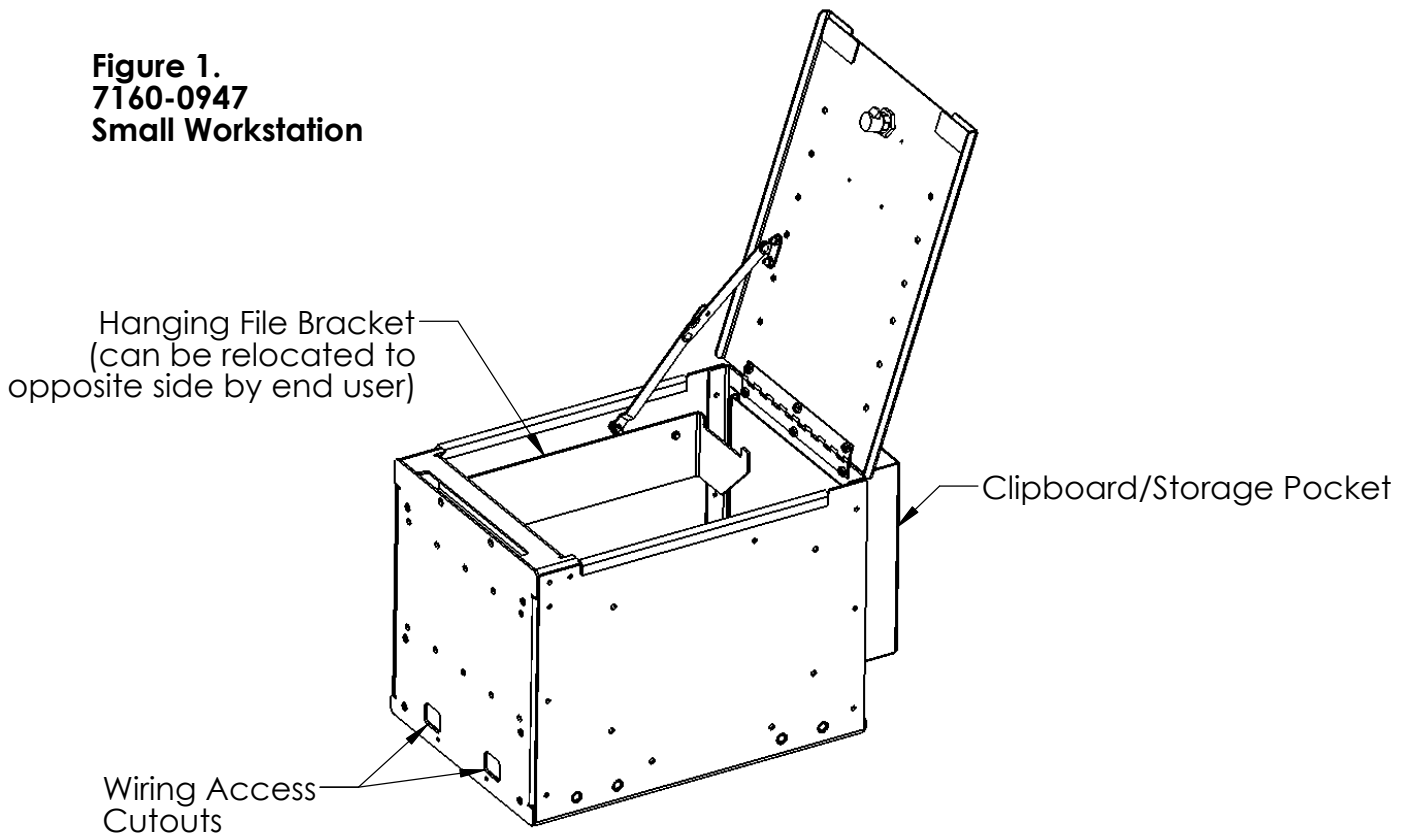
Printing Spec:PS-001

The workstation provides lockable storage for supplies and equipment. A removable clipboard/storage pocket is mounted on the exterior. Wiring access cutouts allow electronic and charging devices to be installed inside the locked workstation.

The workstation weighs approximately 40 lbs, use caution when moving and installing.

The workstation is typically installed between the driver and passenger seats with the clipboard/storage pocket toward the rear of the vehicle. This allows a small workstation radio platform (7160-0966), computer mounting platform (7160-0964), or vertical surface mount (13083) to be installed toward the vehicle dash. Optional armrests (7160-0893) can be installed on the workstation lid in two different positions on either the driver or passenger side of the lid, see Figure 5.

Figure 1.
7160-0947
Small Workstation



Product Mounting Disclaimer

Gamber-Johnson is not liable under any theory of contract or tort law for any loss, damage, personal injury, special, incidental or consequential damages for personal injury or other damage of any nature arising directly or indirectly as a result of the improper installation or use of its products in vehicle or any other application. In order to safely install and use Gamber-Johnson products full consideration of vehicle occupants, vehicle systems (i.e., the location of fuel lines, brakes lines, electrical, drive train or other systems), air-bags and other safety equipment is required. Gamber-Johnson specifically disclaims any responsibility for the improper use or installation of its products not consistent with the original vehicle manufactures specifications and recommendations, Gamber-Johnson product instruction sheets, or workmanship standards as endorsed through the Gamber-Johnson Certified Installer Program.

© copyright 2016 Gamber-Johnson, LLC

If you need assistance or have questions, call Gamber-Johnson at 1-800-456-6868

There are three ways to install and attach the workstation to the vehicle floor. Two require drilling holes into the vehicle floor, the third uses the existing seat bolts.

#1 - The box alone, without adjustable legs, can be attached to the vehicle floor. Mounting holes are provided in the bottom of the workstation

#2 - The workstation can also be attached to the vehicle floor using the adjustable legs (see Fig. 1). Using the adjustable legs allows setting the workstation at a convenient height or to compensate for an uneven vehicle floor. The legs allow 2.50" of vertical adjustment. For shipping, the adjustable legs are wrapped and stored inside the box. Attach the legs to the workstation with (4) 3/8-16 x .75 hex head bolts and (4) 3/8 flat washers supplied in hardware bag 7120-0310.

Position the workstation in the vehicle. Depending on the vehicle used and the desired location, a center console or seat section may need to be removed.

Check that the location chosen does not interfere with the proper operation of or cause damage to - wiring, fuel or hydraulic lines, the exhaust system, drivetrain components or vehicle controls such as the gear shift lever, airbag sensors or airbag deployment zone.

Using the workstation or adjustable legs as a template, mark the mounting hole location on the vehicle floor. Drill mounting holes through the vehicle floor. Hardware bag 7120-0310 includes 3/8-16 x 1.50 Grade 5 bolts, 3/8 washers, 3/8 lock washers, 3/8-16 hex nuts and 3/8-16 rivet nuts for bolting to the vehicle floor. Depending on the vehicle application and tools available, the supplied hardware may be used or the customer may supply equivalent hardware as needed.

#3 - If drilling into the vehicle floor is not possible the workstation may also be attached to a Gamber-Johnson MCS long or short top plate and vehicle specific leg kit.

Check with Gamber-Johnson if a vehicle leg kit is available for your application. Leg kits are typically installed by removing driver and passenger seat bolts, inserting a leg kit between the seat bracket and vehicle floor and reinstalling the seat bolts. Specific instructions are supplied with each leg kit.

The workstation is bolted to the top plate using 1/4-20 x 1.00 carriage bolts, 1/4 lock washers and 1/4 hex nuts. 1/4-20 hardware is not included in the hardware bag and will need to be purchased separately.

Figures 2 - 6 show some of the 7170-0563 kit options for the small workstation

Figure 2.

7170-0563-00
Small Workstation
with 2 Mounting
Legs

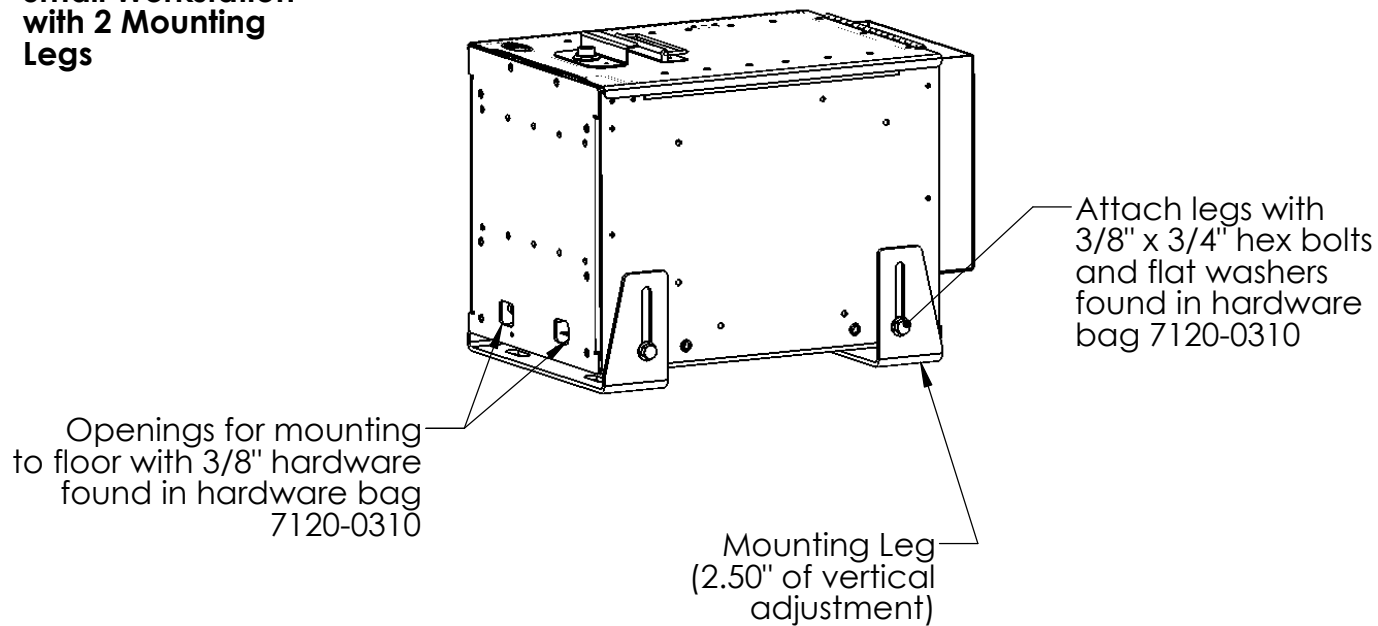


Figure 3.

7170-0563-01
Small Workstation
with 2 Mounting
Legs & Vertical
Surface Mount

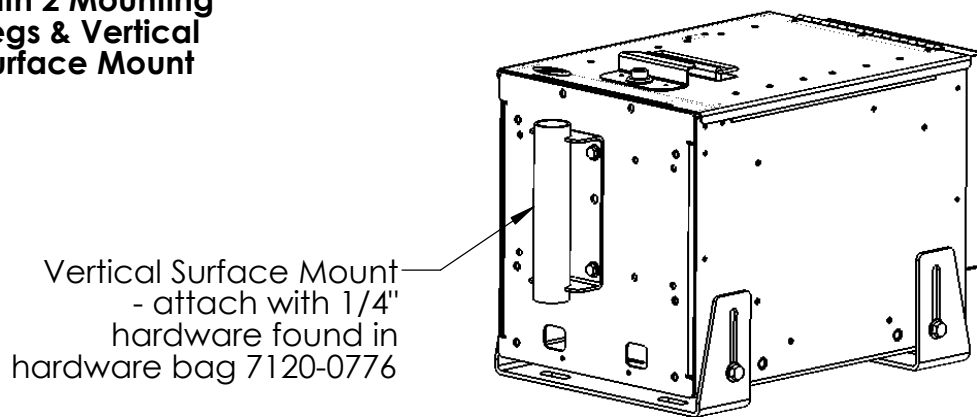
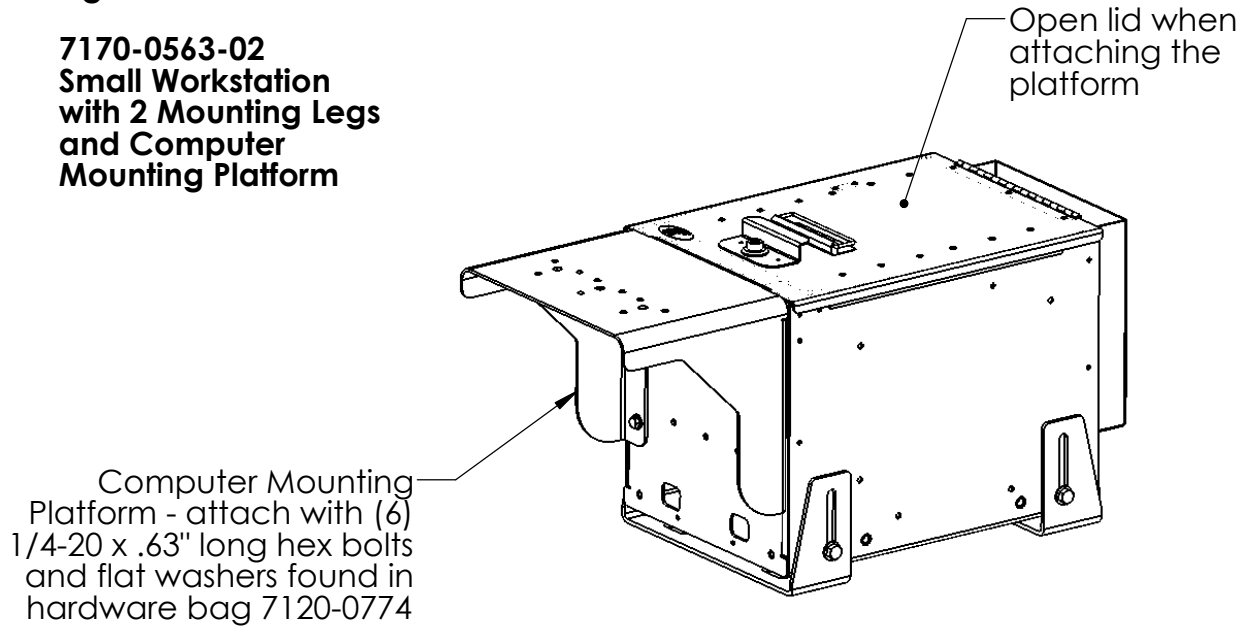


Figure 4.

**7170-0563-02
Small Workstation
with 2 Mounting Legs
and Computer
Mounting Platform**



Radio Platform - attach with (6) 1/4-20 x .63" long hex bolts and flat washers found in hardware bag 7120-0774

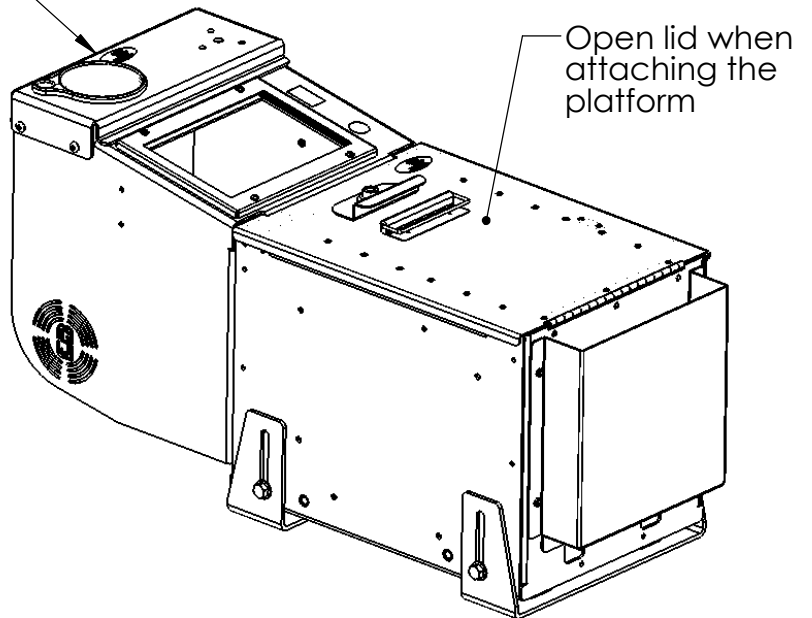


Figure 5.

**7170-0563-03
Small Workstation
with 2 Mounting Legs
and Radio Platform**

Figure 6.

**7170-0563-04
Small Workstation
with long top plate,
Workstation Console
box, and 2 Armrests**

