



INSTALLATION INSTRUCTIONS

Product
7160-1333

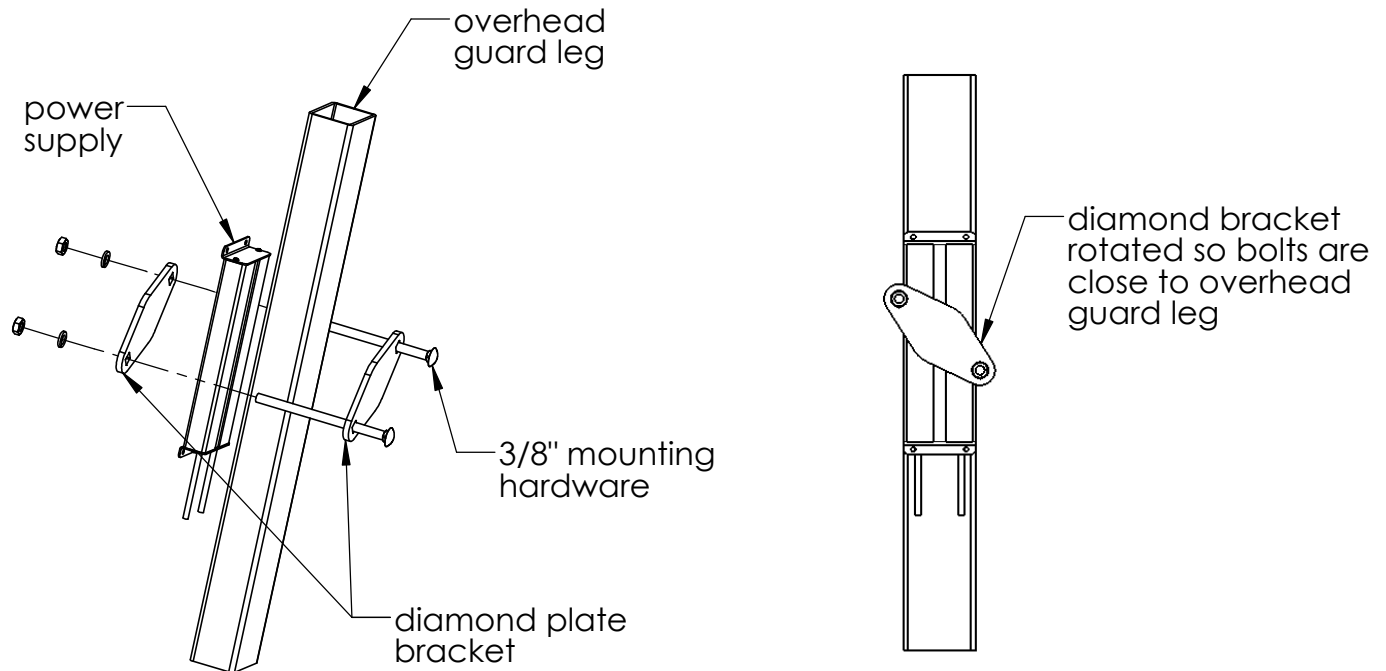
Revision
Rev.A

Form
INST-881

Power Supply Clamp

Printing Spec:PS-001

Attach the power supply to the overhead guard leg with the power supply clamp. Place the power supply against the overhead guard leg and clamp in place with the diamond plates shown below. Rotate the diamond plates so the bolts are as tight as possible to the overhead guard leg. Once the power supply is clamped in place the excess length of the bolts can be cut off if desired. Note: the power supply can be clamped somewhere other than the overhead guard leg if desired. For example it could be clamped to one of the upper bars on the overhead guard.



Product Mounting Disclaimer

Gamber-Johnson is not liable under any theory of contract or tort law for any loss, damage, personal injury, special, incidental or consequential damages for personal injury or other damage of any nature arising directly or indirectly as a result of the improper installation or use of its products in vehicle or any other application. In order to safely install and use Gamber-Johnson products full consideration of vehicle occupants, vehicle systems (i.e., the location of fuel lines, brakes lines, electrical, drive train or other systems), air-bags and other safety equipment is required. Gamber-Johnson specifically disclaims any responsibility for the improper use or installation of its products not consistent with the original vehicle manufactures specifications and recommendations, Gamber-Johnson product instruction sheets, or workmanship standards as endorsed through the Gamber-Johnson Certified Installer Program.

© Copyright 2018 Gamber-Johnson, LLC

If you need assistance or have questions, call Gamber-Johnson at 1-800-456-6868