



INSTALLATION INSTRUCTIONS

Product

7160-1533, 7160-1533-01

ZIRKONA, 6" DOGBONE, 3/4" TO 1-7/8" ROUND POLE MOUNT

Revision

Rev. E

Form

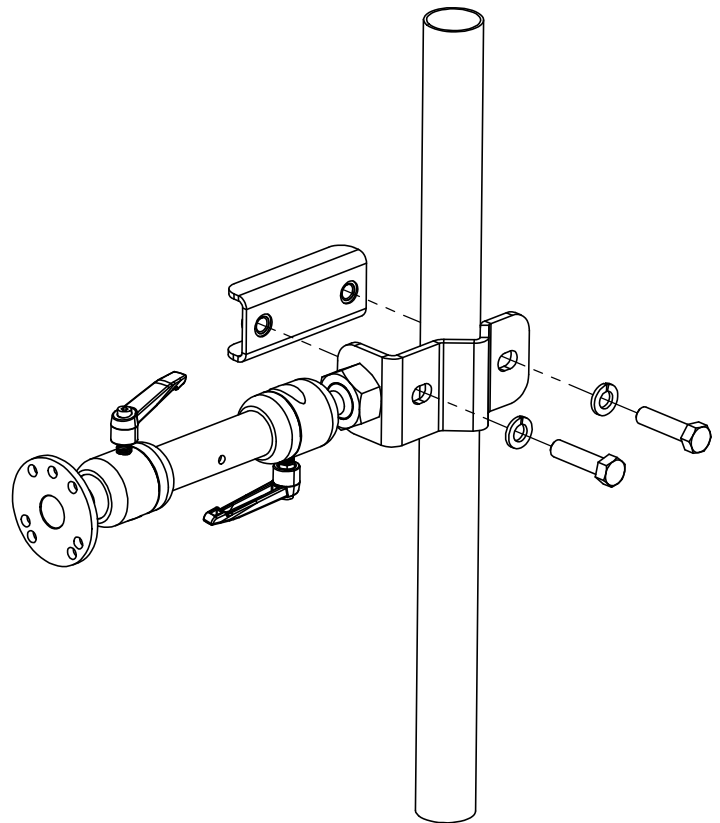
INST-978

Printing Spec: PS-001

The 7160-1533 is designed to attach to round poles 3/4" to 1-7/8" in diameter. The mount incorporates the Zirkona 6" Dogbone for mounting light weight devices.

Attaching the mount:

1. Attach the light weight device to either the round mounting plate or the Vesa 75mm mounting plate (based on the product you've purchased) with the mounting hardware that was supplied with the device.
2. Attach the Zirkona 6" Dogbone 3/4" to 1-7/8" round pole mount to the pole with the 3/8" hex bolts and lock washers provided in hardware bag 7120-0913. There are 2 different length bolts included. Choose the bolt length that fits your specific application.



Product Mounting Disclaimer

Gamber-Johnson is not liable under any theory of contract or tort law for any loss, damage, personal injury, special, incidental or consequential damages for personal injury or other damage of any nature arising directly or indirectly as a result of the improper installation or use of its products in vehicle or any other application. In order to safely install and use Gamber-Johnson products full consideration of vehicle occupants, vehicle systems (i.e., the location of fuel lines, brake lines, electrical, drive train or other systems), air-bags and other safety equipment is required. Gamber-Johnson specifically disclaims any responsibility for the improper use or installation of its products not consistent with original vehicle manufactures specifications and recommendations, Gamber-Johnson product instruction sheets, or workmanship standards as endorsed through the Gamber-Johnson Certified Installer Program.

© Copyright 2022 Gamber-Johnson, LLC

If you need assistance or have questions, call Gamber-Johnson at 1-800-456-6868