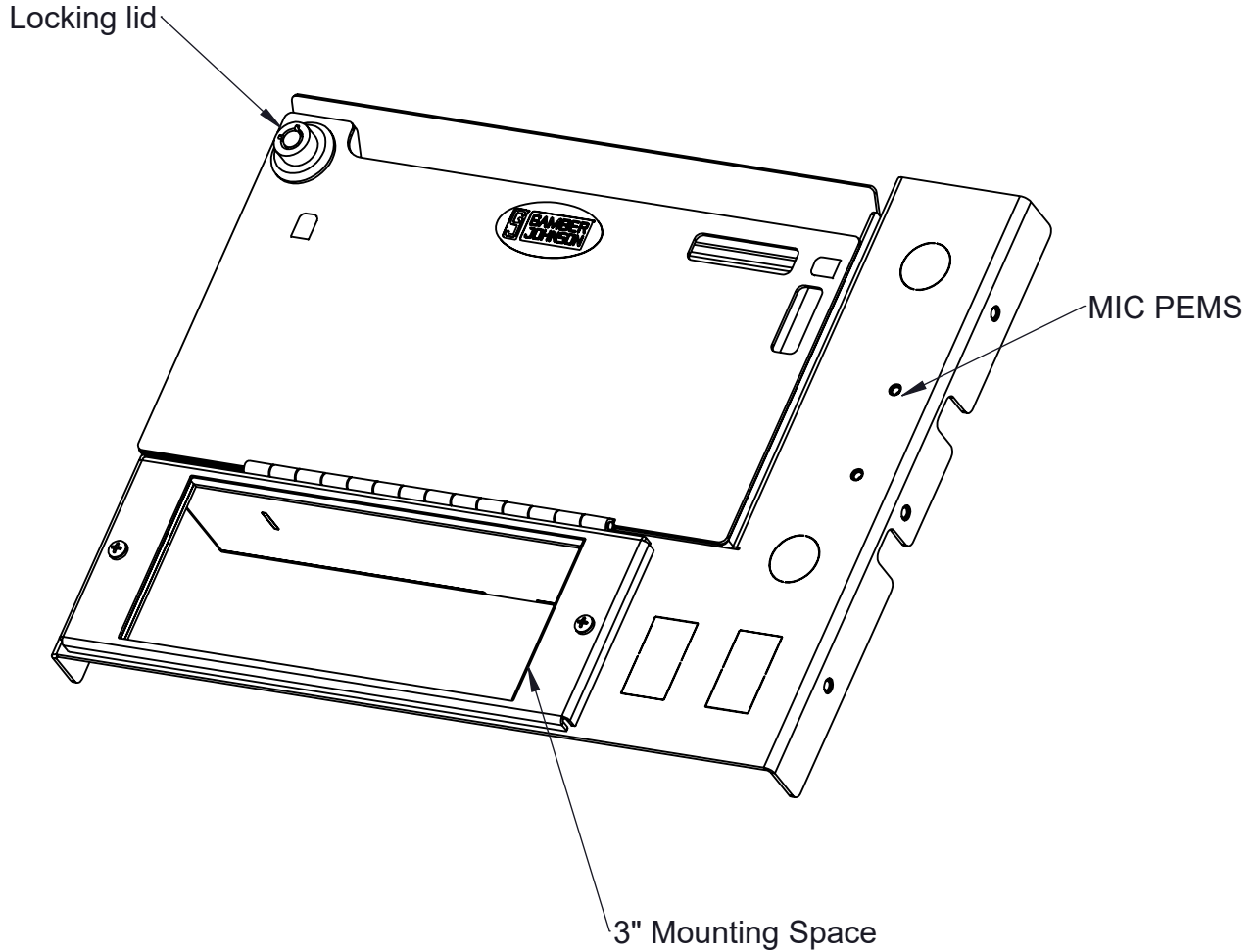




INSTALLATION INSTRUCTIONS

<u>Product</u> 7160-1573 Description: In-Console Printer mount upgrade kit	<u>Revision</u> B	<u>Form</u> INST-1014 Printing Spec: PS-001
---	-----------------------------	---



Note: Supplied with (1) 90 degree Mini USB cable & (1) 90 degree USB-C cable

Compatible with F150 Console 7160-1256/7160-1452 and other 14" wide GJ consoles

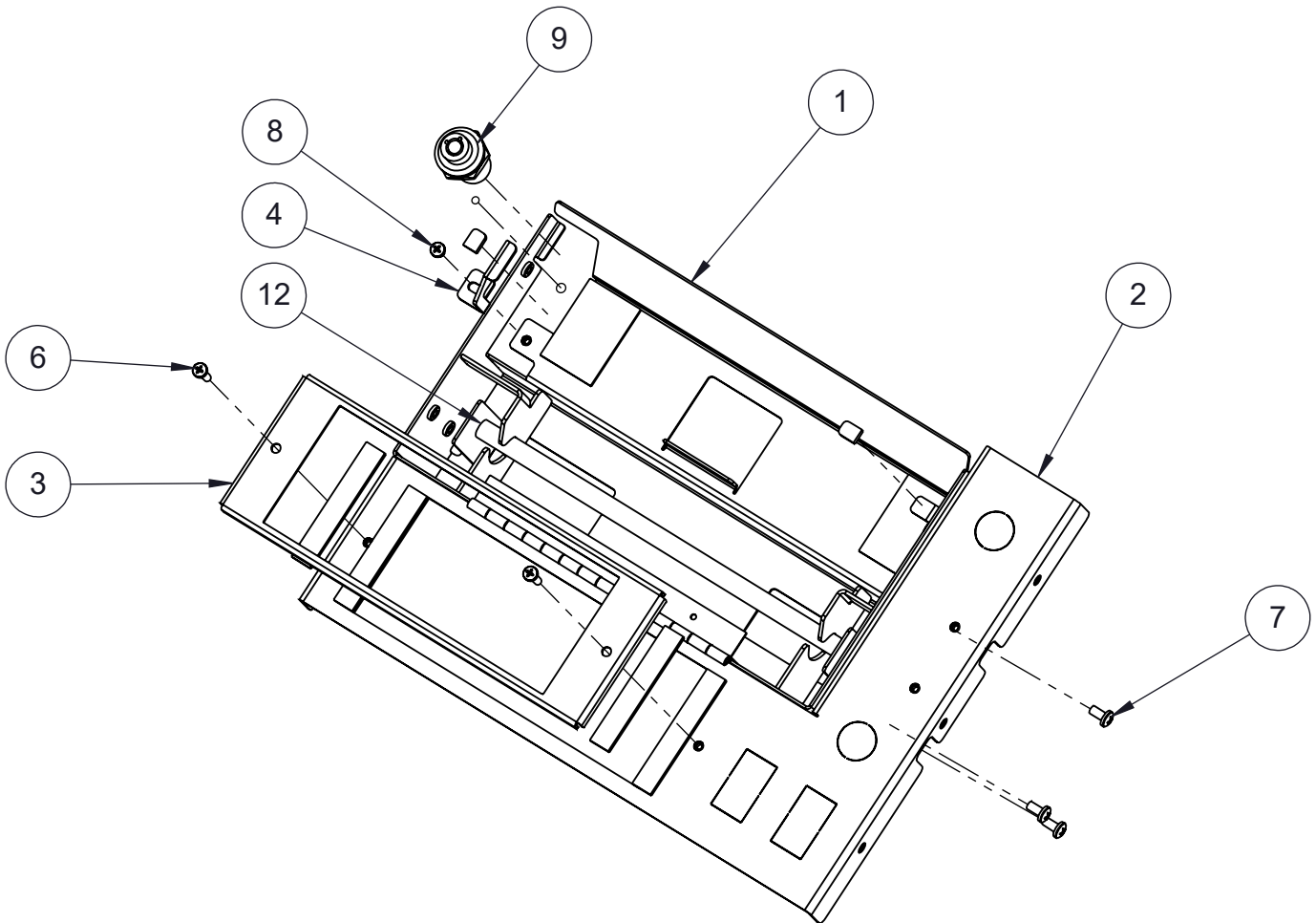
Product Mounting Disclaimer

Gamber-Johnson is not liable under any theory of contract or tort law for any loss, damage, personal injury, special, incidental or consequential damages for personal injury or other damage of any nature arising directly or indirectly as a result of the improper installation or use of its products in vehicle or any other application. In order to safely install and use Gamber-Johnson products full consideration of vehicle occupants, vehicle systems (i.e., the location of fuel lines, brake lines, electrical, drive train or other systems), air-bags and other safety equipment is required. Gamber-Johnson specifically disclaims any responsibility for the improper use or installation of its products not consistent with original vehicle manufactures specifications and recommendations, Gamber-Johnson product instruction sheets, or workmanship standards as endorsed through the Gamber-Johnson Certified Installer Program.

© Copyright 2020 Gamber-Johnson, LLC

If you need assistance or have questions, call Gamber-Johnson at 1-800-456-6868

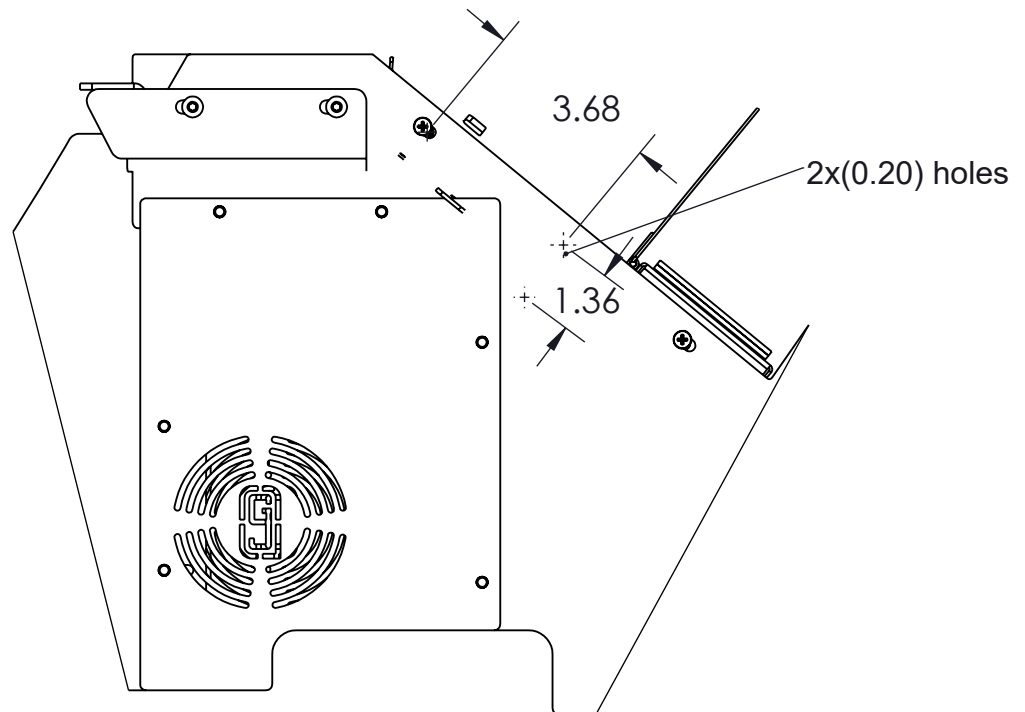
ITEM	QTY	PartNo	DESCRIPTION
1	1	19560	PRINTER MOUNT - IN-CONSOLE FOR WIDEBODY
2	1	19562	PLATE - WIDEBODY PRINTER COVER
3	1	19565	PLATE - MOUNT COVER
4	1	19470	RETAINER - PRINTER
5	2	11219	CUSHION - 1.38 x 2.00 BLACK LOOP MATERIAL WITH PSA
6	2	10796-0001	#8-32 X .625 PPHMS -FS-014
7	3	1122-1006	#10-32 X .375 PPHMS -FS-014
8	1	1113-0804	#8-32 X .25 PPHMS -FS-014
9	1	11893	LOCK - DIRAK 264-9006
11	2	12136	PORON PAD - .34 x .90 x .12 THK
12	1	12143	DOWEL, DELRIN .4375 X 9.91
14	1	7120-0641	HARDWARE BAG - WIRE CHASE - TAHOE CONSOLE
15	2	9000-0043	DUAL LOCK - .50 WIDE, BLACK, HIGH DENSITY SIDE
16	2	9000-0046	DUAL LOCK - .50 WIDE, BLACK, LOW DENSITY SIDE
17	1	7100-0487	CABLE USB 3.0 DATA USB-C 90DEG TO USB-A MALE 6'



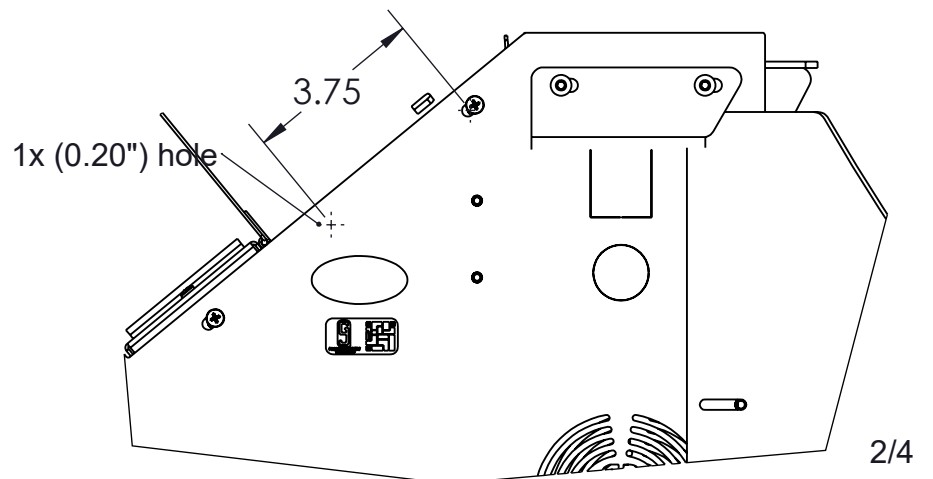
Install:

1. Remove equipment that is mounted in the angle section of the console (if applicable)
*Go to step 4 if modification is not required.

2. For console 7160-1256/7160-1452 extra holes are required to mount the printer mount.
- on the driver side of the console mark and drill holes as shown below



3. On The passenger side mark and drill as shown.



4. To install printer mount, align the 4 holes on the driver side and the 3 holes on the passenger side mount with the provide #10-32 hardware
5. To install the printer in the mount, remove the 2 #8-32 screws on holding the printer retainer, slide the printer in place with paper exit side facing towards the front of the vehicle, then reinstall the printer retainer and complete wire connection to the printer. Finally, test the unit to ensure everyhting is funtioning properly.

