

# INSTALLATION INSTRUCTIONS

## Product

7160-0860-00  
7160-0861-00

ET5X DOCKING STATIONS - 8" & 10"

## Revision

Rev. D

## Form

INST-731

Printing Spec: PS-001

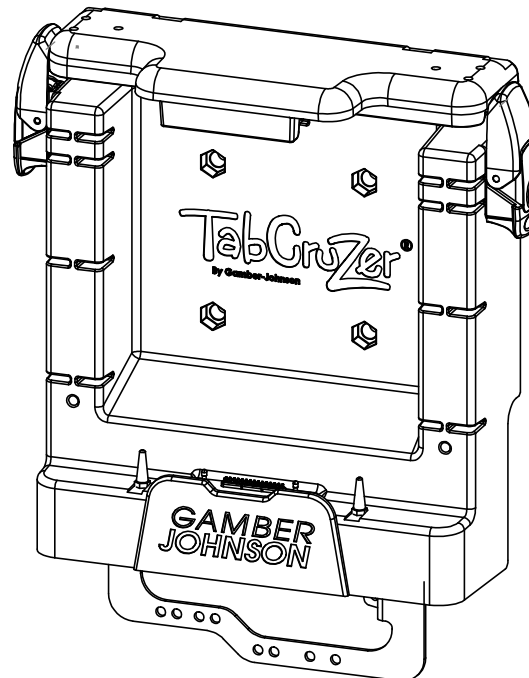
This instruction sheet is for the ET5X docking stations only. For instructions on features, set-up, and operation of the ET5X computers, please refer to the manual provided by Zebra with the computer.

This docking station is designed to be used with a variety of Gamber-Johnson mounting systems. Installation instructions for other Gamber-Johnson products are provided with each individual product.

This instruction sheet is for the following products:

**Item No. 7160-0860-00** ET5X 10" No RF

**Item No. 7160-0861-00** ET5X 8" No RF



Gamber-Johnson strongly advises a "bench test" be conducted to verify all electronic and software issues are resolved prior to installation:

1. Make sure the computer is operational by itself.
2. Insert computer into the docking station and verify that the computer is operating in the dock.
3. Interconnect entire assembly and verify start-up of all components, including other equipment (printers, modems, scanners, etc.)

*Gamber-Johnson recommends positioning of all mounts and equipment in the vehicle prior to the actual install to verify that mounting locations are safe and practical.*

## IMPORTANT SAFETY INFORMATION FOR INSTALLERS

Safety is dependent on the proper installation and servicing of this docking station. It is important to read and follow all instructions before installing this product.

To properly install a Gamber-Johnson docking station you must have a good understanding of automotive electrical procedures and systems, along with proficiency in the installation and service of aftermarket vehicle equipment.

There are no adjustments required at any time of the electrical components within the docking station. **Opening the docking station will void the product warranty.**

### During Installation:

**DO NOT** connect this docking station to the vehicle battery until:

1. All other electrical connections are made
2. Mounting of all components is complete
3. Verification that no shorts exist in the entire system

**DO NOT** install equipment or route wiring or cords in the deployment path of any air bag.

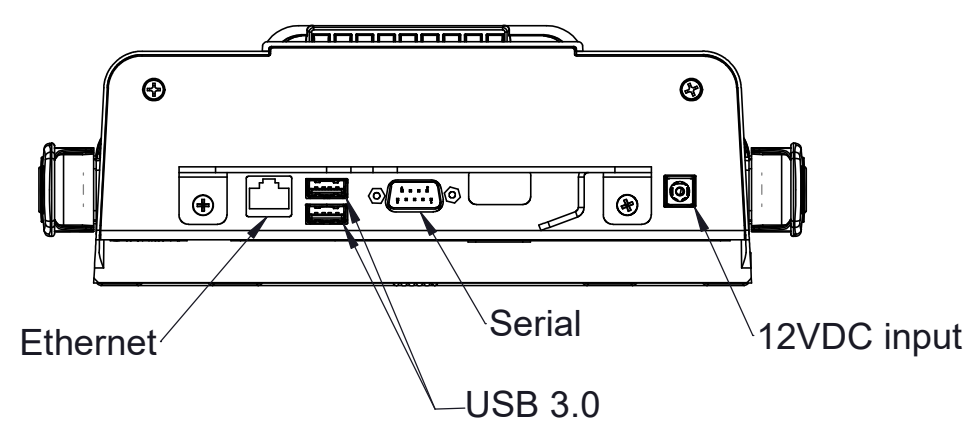
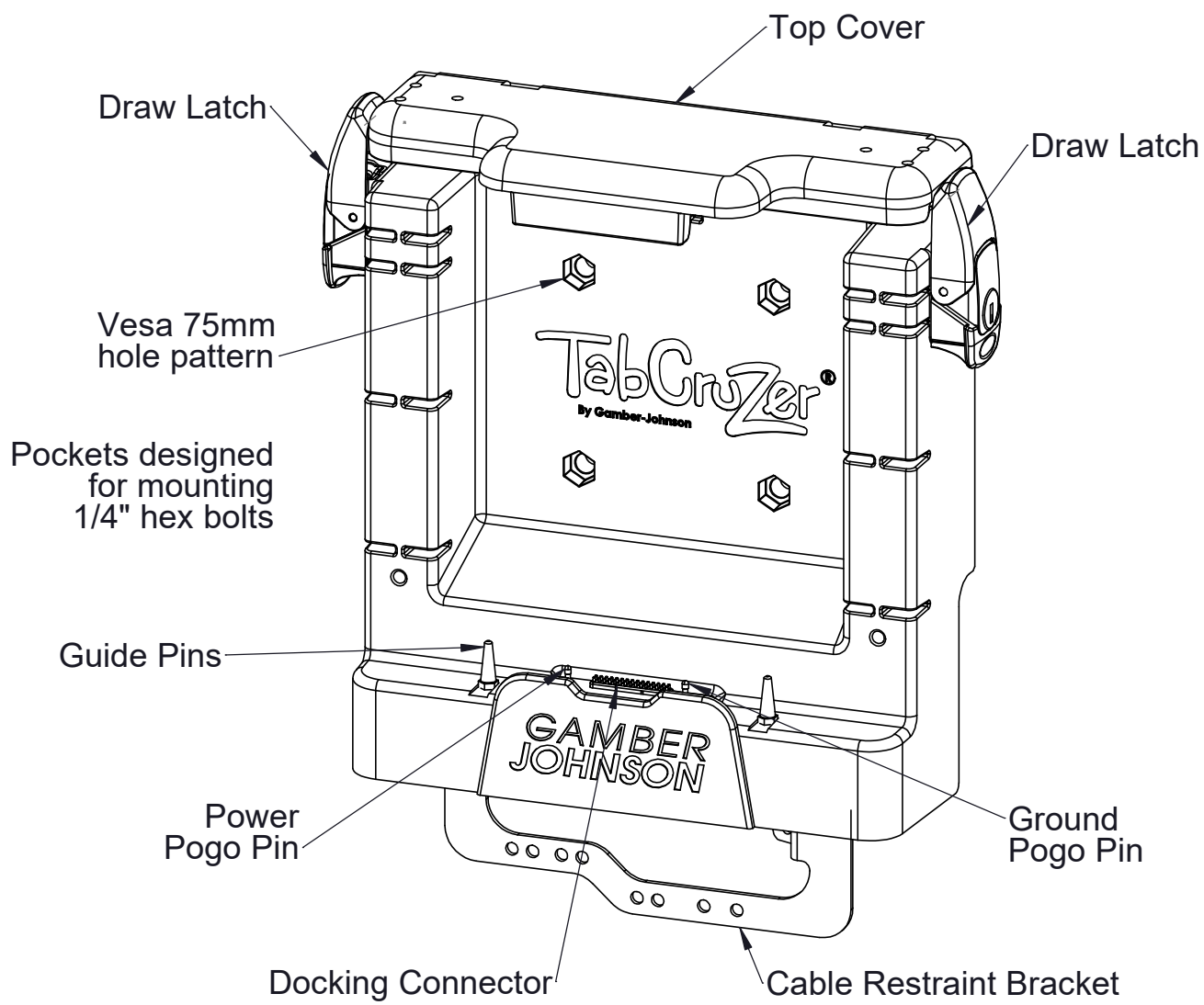
When drilling into the vehicle, DO make sure that both sides of the surface are clear of anything that could be damaged.

**CAUTION:** *If wiring is shorted to the frame, high current conductors can cause hazardous sparks resulting in electrical fires or flying molten metal.*

### After installation:

Test the docking station to ensure that it is working properly.

File these instructions in a safe place and refer to them when performing maintenance or re-



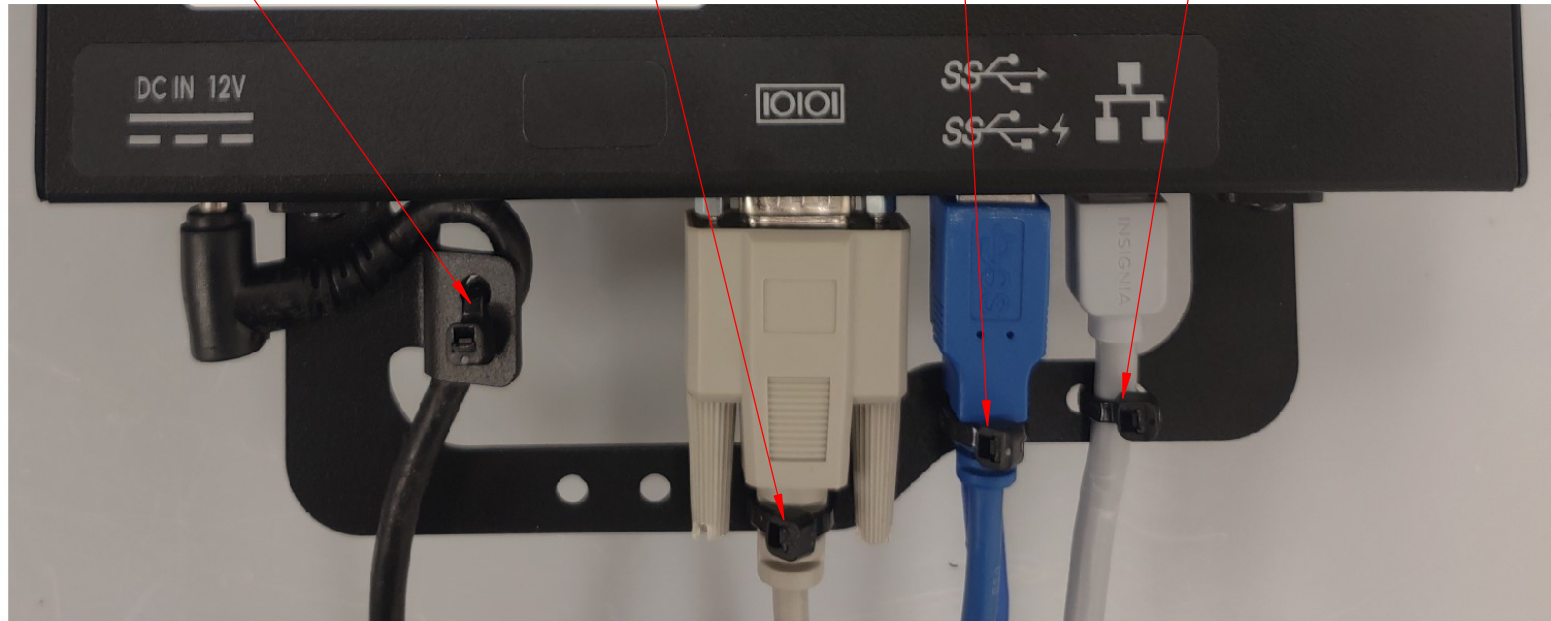
**Cable Tie Slots**  
(Port Specific)

Power

Serial

USB (2)

Ethernet



**TO DOCK THE COMPUTER** (See Figures 1-3)

1. Open the top cover.
2. Center the computer above the guide pins and docking connector.
3. Lower the computer onto the guide pins and docking connector.
4. Close the top cover and secure the unit with both draw latches.
5. (Optional) The key lock can now be used for security purposes.

**TO UNDOCK THE COMPUTER**

1. Unlock if locked.
2. Open the draw latches and raise the top cover.
3. Lift the computer upward off the guide pins then pull outward from the docking station.

**NOTE: Customers can find Drivers for RS232 (serial port) and LAN7500 (USB to Ethernet) at the following link:  
<http://www.gamberjohnson.com/product-support/docking-drivers>**

**Menu: Support, Product Services-Docking Drivers or through the search box using, "Docking drivers"**



**Figure 1**



**Figure 2**



Regulatory Model #: 7160-0860

GJ Model #'s: 7160-0860-00, 7160-0861-00

Descriptions: Dock-Zebra-ET5X

Certification for 7160-0860-00 & 7160-0861-00

- EN 50498
- EN 50581
- EN 55032

This device complies with Part 15 of the FCC Rules. Operation is subject to the following two conditions. (1) this device may not cause harmful interference, and (2) this device must accept any interference received, including interference that may cause undesired operation.

