



INSTALLATION INSTRUCTIONS

Product	Revision	Form
7160-1393	Rev. C	INST-994
USB-C HUB		Printing Spec: PS-001

This instruction sheet is for the Gamber-Johnson USB-C Hub only. For instructions on features, set-up, and operation of any computer or connected device, please refer to the manual provided with those products.

This USB-C Hub is designed to be used with a variety of systems. Installation instructions for other Gamber-Johnson products are provided with each individual product.

This instruction sheet is for the following products:

- Item No. 7160-1393-00** Bare Wire Power
- Item No. 7160-1393-01** AC Power Adapter
- Item No. 7160-1393-02** Bare Wire Power + USB-A Data Cable
- Item No. 7160-1393-03** Bare Wire Power + USB-C Data Cable

The USB-C Hub is designed to handle a 10-40Vdc input. Gamber-Johnson recommends using the bare wire cable included with the -00, -02 and -03 models. The AC Power Adapter is included with the -01 model. The standard use voltage is 12Vdc and a minimum 5A. Gamber-Johnson offers the following Power Adapters to power the hub if needed in other environments. These Power Adapters can be ordered from Gamber-Johnson separately.

- | | | | |
|------------------|------------|-------------------|-------------------|
| 7300-0461 | - Auto | (11-16Vdc input) | Bare Wire |
| 7300-0462 | - Auto | (11-16Vdc input) | Cigarette Adapter |
| 7300-0464 | - Isolated | (12-32Vdc input) | Bare Wire |
| 7300-0465 | - Isolated | (20-60Vdc input) | Bare Wire |
| 7300-0417 | - Isolated | (72-110Vdc input) | Bare Wire |



Product Mounting Disclaimer

Gamber-Johnson is not liable under any theory of contract or tort law for any loss, damage, personal injury, special, incidental or consequential damages for personal injury or other damage of any nature arising directly or indirectly as a result of the improper installation or use of its products in vehicle or any other application. In order to safely install and use Gamber-Johnson products full consideration of vehicle occupants, vehicle systems (i.e., the location of fuel lines, brakes lines, electrical, drive train or other systems), air-bags and other safety equipment is required. Gamber-Johnson specifically disclaims any responsibility for the improper use or installation of its products not consistent with the original vehicle manufactures specifications and recommendations, Gamber-Johnson product instruction sheets, or workmanship standards as endorsed through the Gamber-Johnson Certified Installer Program.

© Copyright 2020 Gamber-Johnson, LLC

If you need assistance or have questions, call Gamber-Johnson at 1-800-456-6868.

PRE-INSTALLATION RECOMMENDATIONS

Gamber-Johnson (GJ) recommends the positioning of all mounts and equipment in the vehicle prior to the actual install to verify mounting locations are safe and practical.

Gamber-Johnson strongly advises a "bench test" be conducted to verify all electronic and software issues are resolved prior to installation. Follow these steps:

1. Make sure the computer functions by itself as intended.
2. Connect the computer, docking station, and any other equipment. Verify start-up of all components and software (mouse, flashdrives, printers, etc.).

IMPORTANT SAFETY INFORMATION FOR INSTALLERS

Before Installation

Safety is dependent on the proper installation and servicing of this hub. It is important to read and follow all instructions before installing this product. Use proper mounting equipment or hardware to secure this product.

Safety is a top priority for Gamber-Johnson. To properly install Gamber-Johnson equipment, you must have a good understanding of automotive electrical procedures and systems, along with proficiency in the installation and service of aftermarket vehicle equipment.

WARNING: Opening the hub will void the product warranty. There is no need to adjust the electrical components within the hub at any time.

During Installation

Do not install equipment or route wires or cords in the deployment path of any airbag.

When drilling into the vehicle, ensure both sides of the surface are clear of anything that could be damaged.

See the bare wire installation instructions on page 5 for safe and correct installation.

WARNING: If wiring is shorted to the frame, high current conductors can cause hazardous sparks resulting in electrical fires or flying molten metal.

After Installation

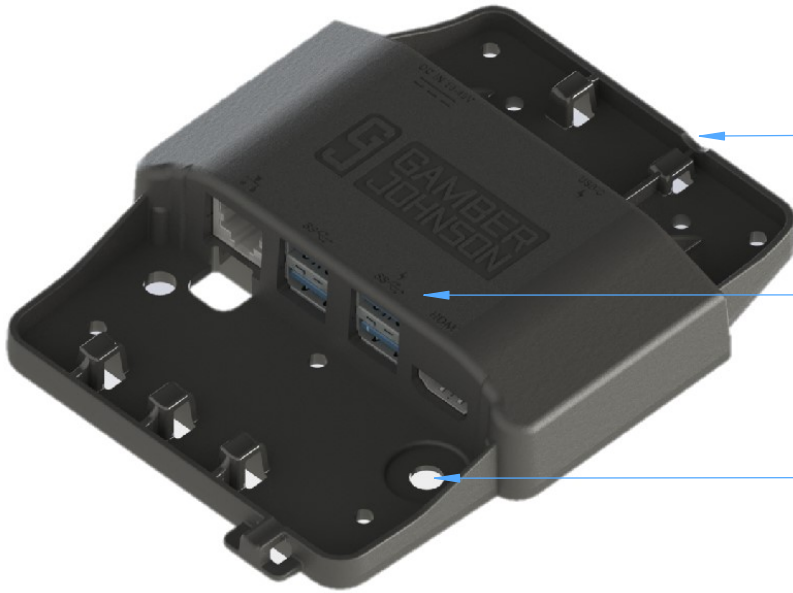
Test the hub to ensure it is working properly.

1. Do not use the hub if the power cable or plug is damaged.
2. Do not use the hub if water comes in contact with any part of the product. Immediately disconnect power and ensure the system is dried.

File these instructions in a safe place and refer to them when performing maintenance or re-installing.

WARNING: Failure to follow all safety precautions and instructions may result in property damage, serious injury, or death.

FEATURE IDENTIFICATION



Cable Tie Locations

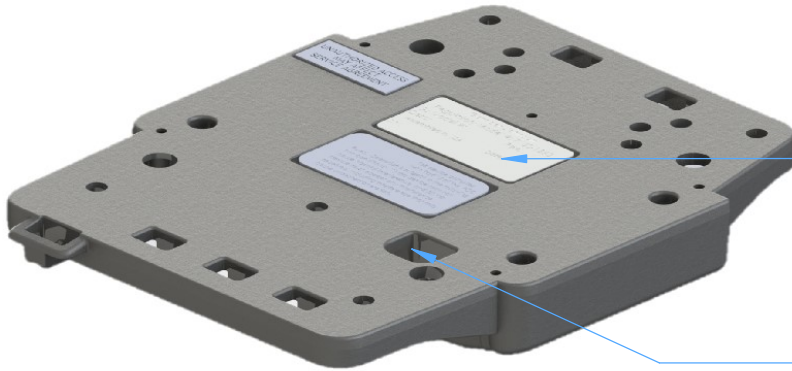
Provides a location to secure each cable. See page 4.

Port Identification

Ports, see page 4.

Mounting Holes

Optional holes to allow mounting with bolts (Not included). Multiple holes patterns including VESA 75mm.



Contact-Friendly Edges

Part Number Label

Provides information on the product. Reference this information regarding any service needs.

Ethernet Removal Hole

Space to compress ethernet cable clip from the back side



Bare Wire Power Cable

Used for 10-40Vdc input.
(For -00, -02 and -03 SKUs only)



AC Power Adapter

Used for 100-240Vac input.
12V and 5A output.
(For -01 SKU only)



USB3.0 Type A to C Cable

Used for USB-C input to the hub.
(For -02 SKU only)



USB3.0 Type C to C Cable

Used for USB-C input to the hub.
(For -03 SKU only)

PORT IDENTIFICATION



USB3.0 Type C
(Fast Charging) 1.5A
Data Input

Power Input
10-40Vdc
5A minimum



Ethernet
RJ45

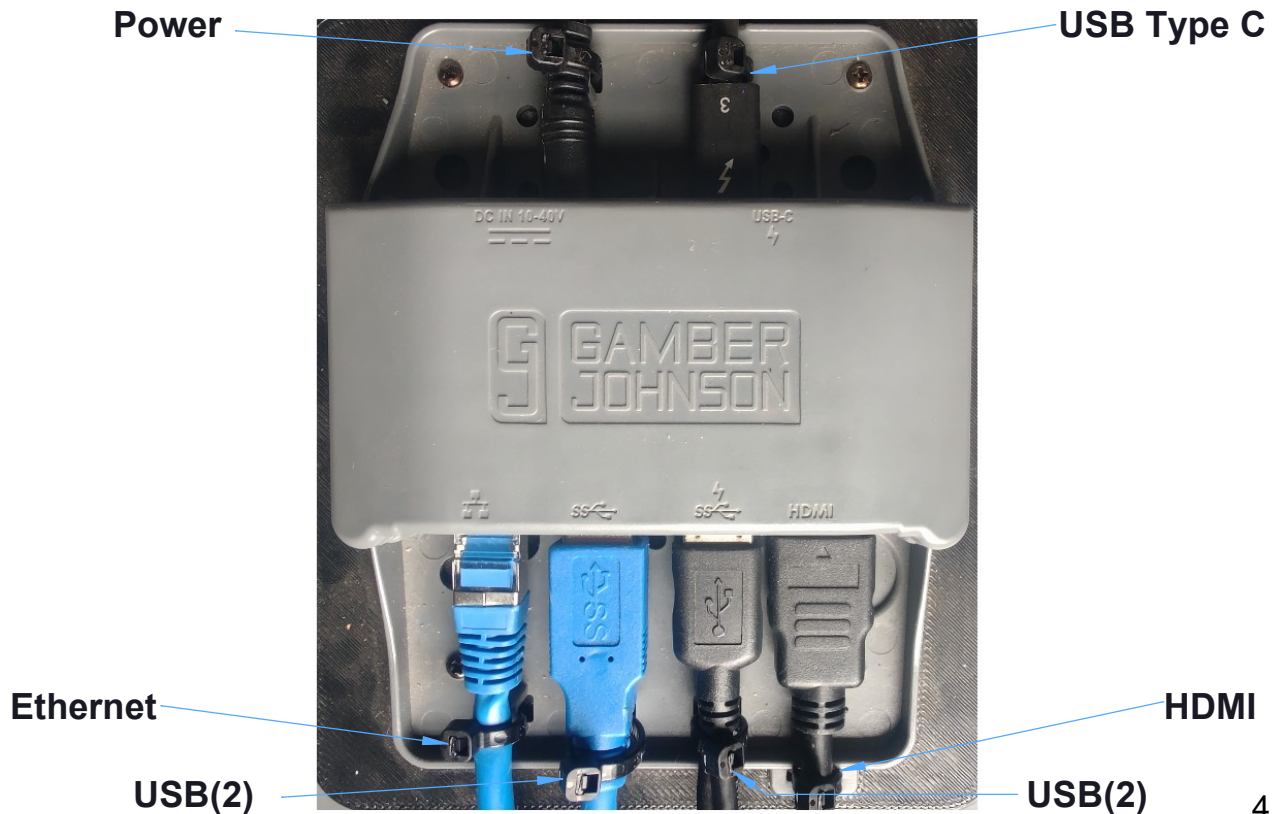
USB3.0
2x
900 mA

USB3.0
2x
(Fast Charging) 1.5 A

HDMI

PROPER CABLE MANAGEMENT

1. REQUIRED - Use zip ties to secure each cable to the specific strain relief feature on the hub plastic.
2. OPTIONAL - Use zip ties to secure bundled cables for improved routing.



INSTALLING THE USB HUB

INSTALLATION - Power

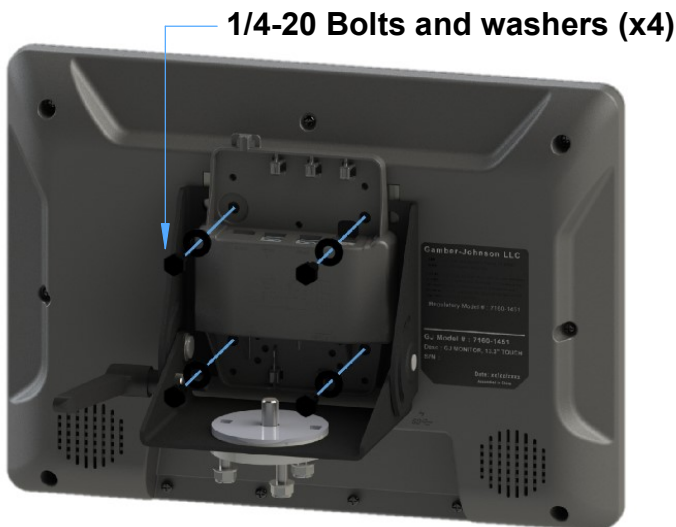
1. It is recommended to have at least 5A available to power the hub. The input is 10-40Vdc.
2. It is recommended to wire the hub to ignition or a timer to prevent the battery from draining.
3. LED lights will turn on next to the ethernet port and USB stack when the hub receives power.
4. Make sure power is off before performing any install steps.
5. Bare wire power cable installation:
 - Attach the red cable to the positive power source.
 - Attach the black cable to the ground.



INSTALLATION - Mounting

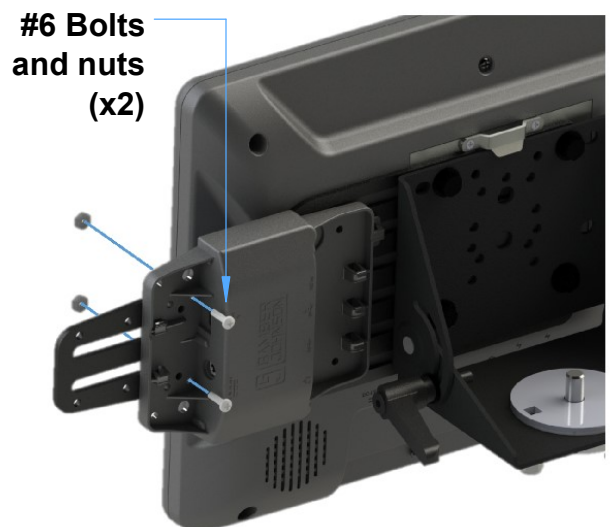
1. It is required to secure and zip-tie the ports listed on page 4, to guarantee performance.
2. Data input must go through the USB-C port on the hub. A USB-C cable is built into the DeX docks (sold separately) and a USB-A-to-C cable is included in SKU -02 for other applications needing a USB-A connection.
3. The dual lock included can be used to securely adhere the hub to a variety of surfaces including the inside of a dash or console box. Adhere the dual lock to the bottom of the hub.
4. There are also a variety of hard mounting options available using the holes on the hub. These options do not include the hardware needed.

The VESA 75mm hole pattern features a 0.265" hole diameter for 1/4-20 bolts.
All other holes feature a 0.160" hole diameter for #6 or #8 bolts.



If mounting with a Gamber-Johnson clevis, there is an option to use (4) 1/4-20 bolts through the VESA 75mm hole pattern to attach the hub to the back of the clevis. Not all clevises will work.

(Bolts are included with the dock or touch screen.)



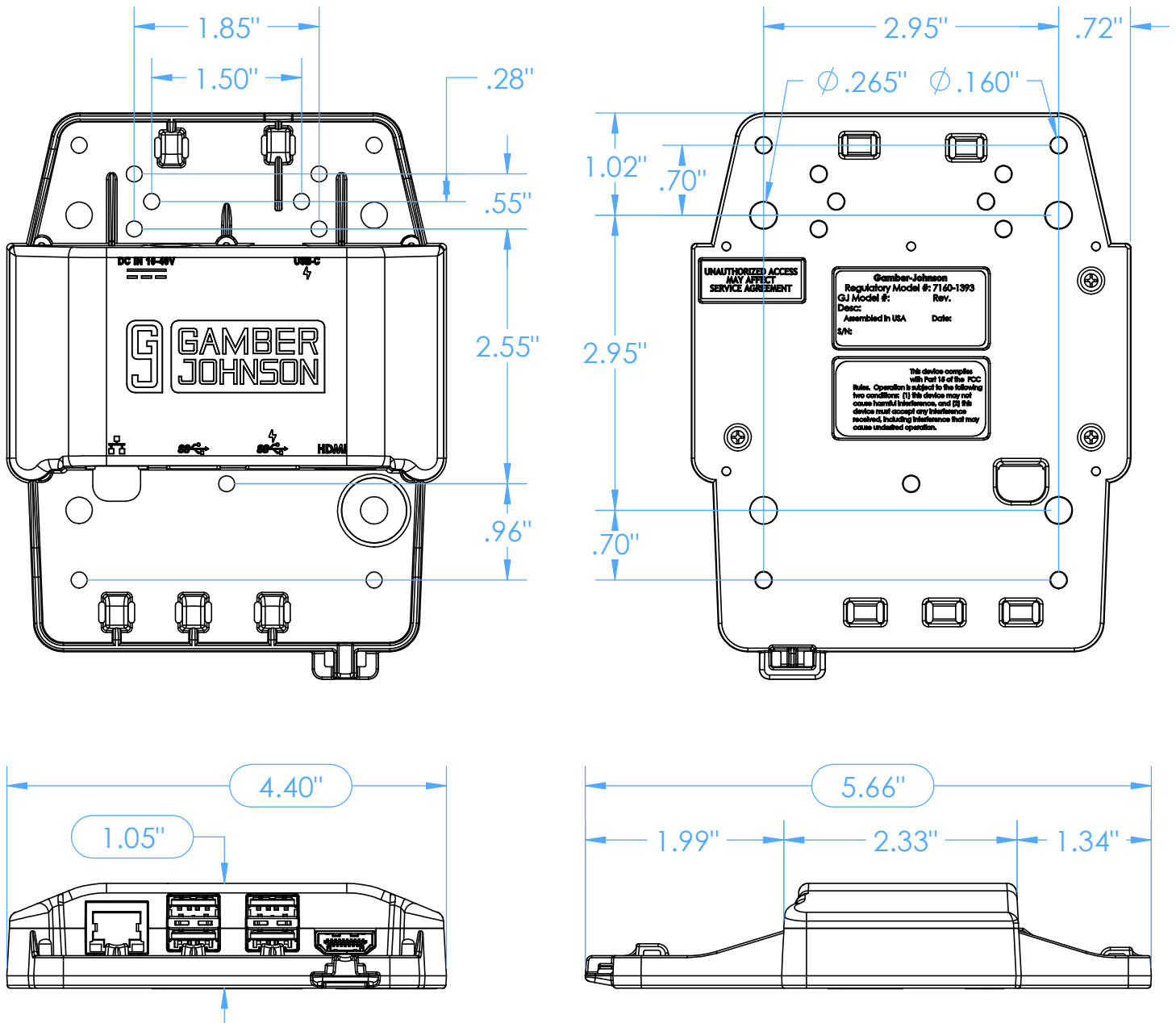
If mounting with the Gamber-Johnson DeX Heads Up Plate, there is an option to use (2) #6 x 0.500" long screws and nuts to attach the hub to the back of the plate.

(Screws and nuts are not included)

USB-C HUB DETAILS

SPECIFICATIONS

Power Input Range	10-40Vdc
Voltage Rating	12Vdc
Current Rating	5A
Dimensions	4.40" (111.8mm) W x 5.66" (143.9mm) H x 1.05" (26.7mm) D
Weight	0.25 lbs (0.11 kg)
Operating Temperature	-20 °C to 70 °C (-4 °F to 158 °F)
Storage Temperature	-40 °C to 85 °C (-40 °F to 185 °F)
Mounting	Dual Lock, VESA 75mm, Other holes
Warranty	3 Year Limited



REGULATORY CERTIFICATION INFORMATION

Regulatory Model #: **7160-1393**

GJ Model #s & Description:

7160-1393-00	USB-C Hub, Bare Wire
7160-1393-01	USB-C Hub, AC Power Adapter
7160-1393-02	USB-C Hub, Bare Wire + USB-A Data Cable
7160-1393-03	USB-C Hub, Bare Wire + USB-C Data Cable

Certifications:

- EN 55032: 2012 / AC: 2013, Class B
- EN 50498: 2010

This device complies with Part 15 of the FCC Rules. Operation is subject to the following two conditions: (1) This device may not cause harmful interference, and (2) this device must accept any interference received, including interference that may cause undesired operation.



Gamber-Johnson LLC, 5001 Joerns Drive,
Stevens Point, WI, 54481, USA, 715-344-3482