



# INSTALLATION INSTRUCTIONS

## Product

7160-1626 / 7170-0882-XX  
7160-1626-01/7170-0883-XX

## Revision

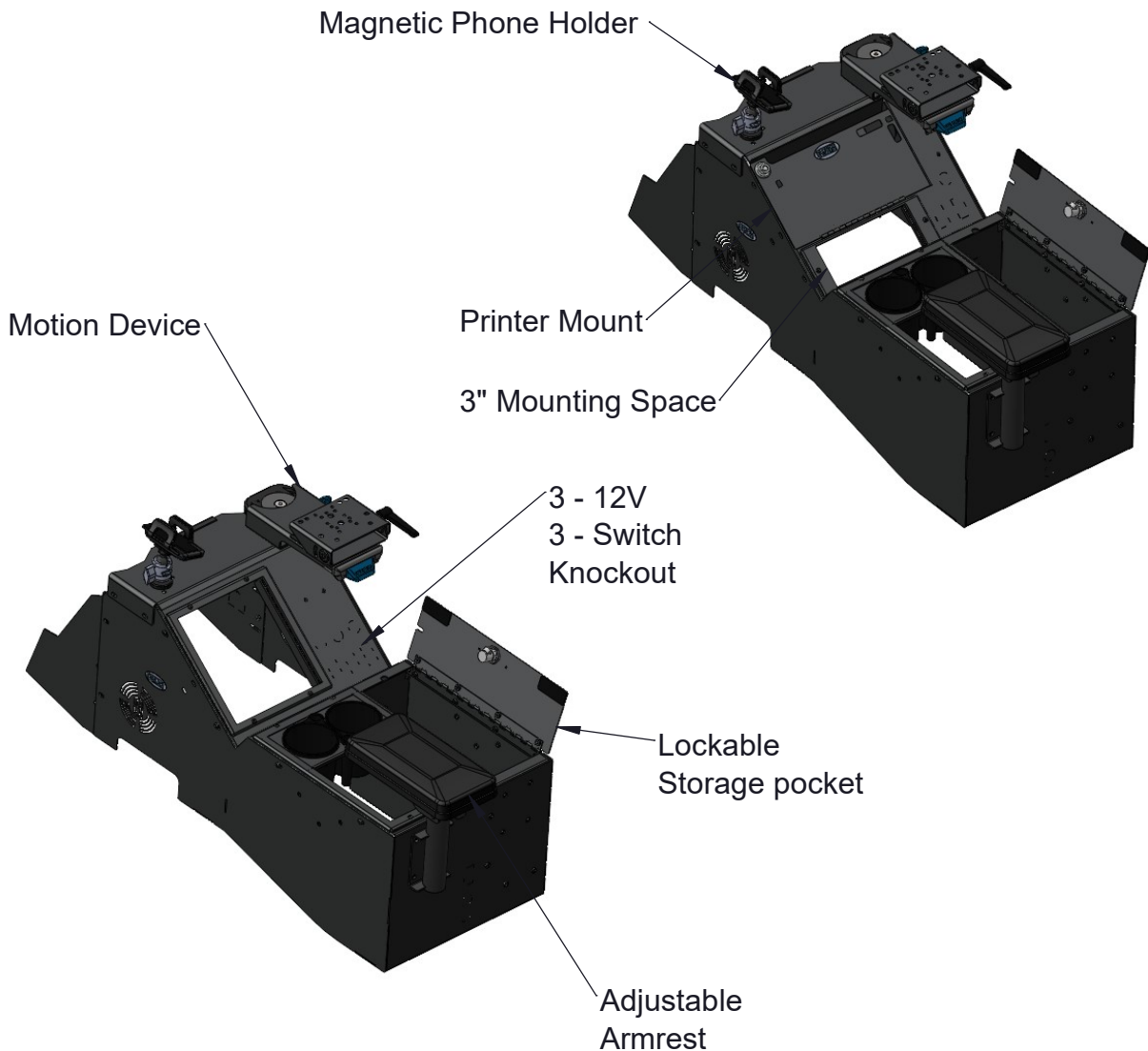
A

## Form

INST-1057

Description: 2021+ FORD F150 Widebody Console and Printer Option

Printing Spec: PS-005



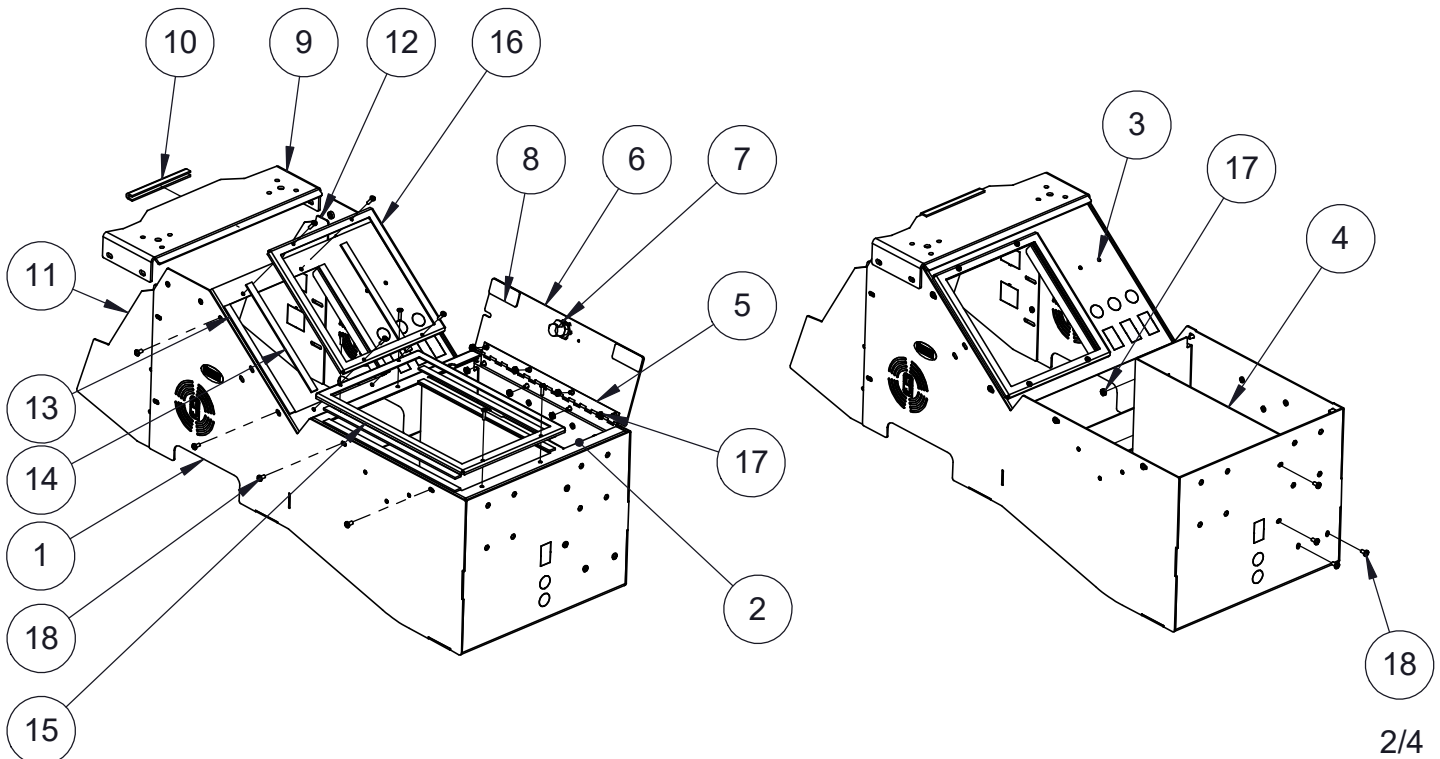
### Product Mounting Disclaimer

Gamber-Johnson is not liable under any theory of contract or tort law for any loss, damage, personal injury, special, incidental or consequential damages for personal injury or other damage of any nature arising directly or indirectly as a result of the improper installation or use of its products in vehicle or any other application. In order to safely install and use Gamber-Johnson products full consideration of vehicle occupants, vehicle systems (i.e., the location of fuel lines, brake lines, electrical, drive train or other systems), air-bags and other safety equipment is required. Gamber-Johnson specifically disclaims any responsibility for the improper use or installation of its products not consistent with original vehicle manufactures specifications and recommendations, Gamber-Johnson product instruction sheets, or workmanship standards as endorsed through the Gamber-Johnson Certified Installer Program.

© Copyright 2021 Gamber-Johnson, LLC

If you need assistance or have questions, call Gamber-Johnson at 1-800-456-6868

ITEM	QTY	PartNo	DESCRIPTION
1	1	19982	CONSOLE - 2021+ FORD F150
2	1	18103	F150 REAR AREA BRACKET
3	1	18104	F150 SLOPED AREA BRACKET
4	1	18109	F150 CONSOLE POCKET
5	1	17080	HINGE
6	1	18116	F150 CONSOLE LID
7	1	11893	LOCK - DIRAK 264-9006
8	2	14710	1.00 X 2.50 X .062 THK PORON PAD
9	1	19985	PLATE - 2021+ F150 CONSOLE, TOP
10	6"	14500	RUBBER EDGE TRIM - 3/16 GAP one roll equals 500 ft
11	1	19986	PLATE - 2021+ FORD F150 WING, DRIVER SIDE
12	1	19987	PLATE - 2021+ FORD F150 CONSOLE WING, PASSENGER SIDE
13	40"	9000-0043	DUAL LOCK - .50 WIDE, BLACK, HIGH DENSITY SIDE
14	40"	9000-0046	DUAL LOCK - .50 WIDE, BLACK, LOW DENSITY SIDE
15	1	18125	F150 REAR OPENING HOLD DOWN FRAME
16	1	18126	F150 SLOPED AREA HOLD DOWN
17	10	12214-0002	#10-32 NUT KEP FS-014
18	12	1122-1006	#10-32 X .375 PPHMS -FS-014
19	8	10796-0001	#8-32 X .625 PPHMS -FS-014
20	1	7120-0886	HARDWARE BAG - FORD F-SERIES CONSOLE
21	1	7120-0641	HARDWARE BAG - WIRE CHASE - TAHOE CONSOLE



Install:

1. Remove the (5) bolts (2 on driver side, 3 on passenger side) holding in the center seat with 13mm socket. The passenger seat bolts may need to be removed or loosened to reach one of the passenger side center seat bolts in the rear. Disconnect any wires to the center seat and remove it.



Fig. 1

2. Using an 18mm socket, remove the two center seat brackets mounted to the transmission tunnel. Save these (4) bolts as they will be used to install the console box.



Fig. 2

3. Remove the angled and horizontal insert sections from the console by removing the #10-32 screws along the side. If applicable, remove the interior pocket by removing the #10-32 screws on the rear of the box as well as the (2) #10-32 nuts inside.

Place the console into the vehicle and start the (4) bolts but do not tighten.

**NOTE:** If using side armrests, you may wish to attach them to the console before placing it into the vehicle.



Fig. 3

4. With console in place, attached the filler wings to console and under side of dash, adjust console if needed for best fit and torque (4) OEM bolts to OEM spec to hold console in place. Then attach any accessory removed previously to complete the install.

**NOTE:** Fig. 4 shown with Printer options.

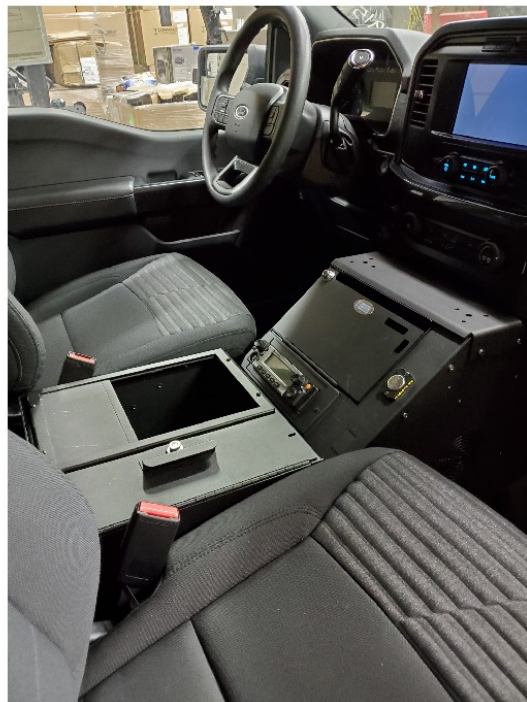


Fig. 4