



# INSTALLATION INSTRUCTIONS

<u>Product</u>	<u>Revision</u>	<u>Form</u>
7160-1265-xx (-P & -E) TOUGHBOOK 20/FZ-G2 Docking Station	Rev J Printing Spec: PS-001	INST-862

This instruction sheet is for the TOUGHBOOK 20/FZ-G2 docking station. For instruction on features, set-up and operation of the computer, please refer to the manual provided by Panasonic with the computer.

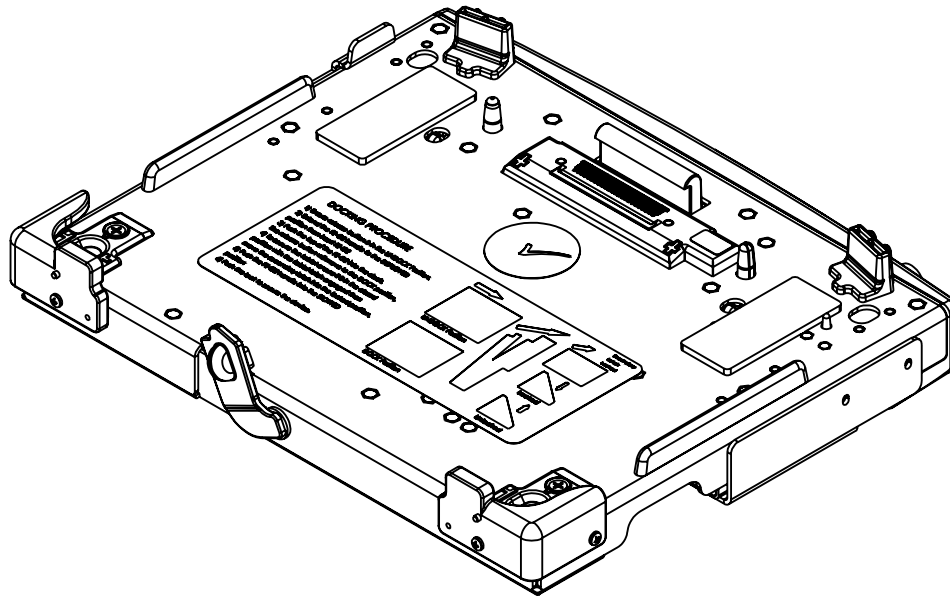
This docking station is designed to be used with a variety of Gamber-Johnson mounting systems. Installation instructions for other Gamber-Johnson products are provided with each individual product.

This instruction sheet is for the following products:

- 7160-1265-00, (-P) & (-E) Docking Station- No RF, Keyed Alike
- 7160-1265-02, (-P) & (-E) Docking Station- Dual RF, Keyed Alike
- 7160-1265-04, (-P) & (-E) Docking Station- No RF, Keyed Different
- 7160-1265-06, (-P) & (-E) Docking Station- Dual RF, Keyed Different
- 7160-1265-20, (-P) & (-E) Docking Station- Lite, No RF, Keyed Alike
- 7160-1265-22, (-P) & (-E) Docking Station- Lite, Dual RF, Keyed Alike

Panasonic recommends using the following Power Adapter to power the docking station. It can be ordered from Gamber-Johnson separately.

**7300-0460** - Bare Wire Adapter (11-16 Vdc input) - Available with the docking station as **KIT 7170-0681-00 (Non-RF) or 7170-0681-02 (Dual-RF)**



# PRE-INSTALLATION RECOMMENDATIONS

## Conduct a "Bench Test"

Gamber-Johnson strongly advises a "bench test" be conducted to verify all electronic and software issues are resolved prior to installation:

1. Make sure the computer is operational by itself.
2. Insert computer into the docking station and verify that the computer is operating in the dock.
3. Interconnect entire assembly and verify start-up of all components, including other equipment (printers, modems, scanners, etc.)

*Gamber-Johnson recommends positioning of all mounts and equipment in the vehicle prior to the actual install to verify that mounting locations are safe and practical.*

## IMPORTANT SAFETY INFORMATION FOR INSTALLERS

Safety is dependent on the proper installation and servicing of this docking station. It is important to read and follow all instructions before installing this product.

To properly install a Gamber-Johnson docking station you must have a good understanding of automotive electrical procedures and systems, along with proficiency in the installation and service of aftermarket vehicle equipment.

There are no adjustments required at any time of the electrical components within the docking station. **Opening the docking station will void the product warranty.**

### During Installation:

**DO NOT** connect this docking station to the vehicle battery until:

1. All other electrical connections are made
2. Mounting of all components is complete
3. Verification that no shorts exist in the entire system

**DO NOT** install equipment or route wiring or cords in the deployment path of any air bag.

When drilling into the vehicle, DO make sure that both sides of the surface are clear of anything that could be damaged.

**CAUTION:** *If wiring is shorted to the frame, high current conductors can cause hazardous sparks resulting in electrical fires or flying molten metal.*

### After installation:

Test the docking station to ensure that it is working properly.

File these instructions in a safe place and refer to them when performing maintenance or re-installing.

**WARNING:** *Failure to follow all safety precautions and instructions may result in property damage, serious injury, or death.*

# **PRECAUTIONS FOR OPERATING THE DOCKING STATION**

- If a Malfunction or Trouble Occurs, Immediately Stop Use

---

If a Malfunction Occurs, Immediately Unplug the Car Plug and Remove the Computer from this product

- This product is damaged
- The connector pins are bent
- A foreign object is inside this product
- Smoke is emitted
- An unusual smell is emitted
- Unusually hot

Continuing to use this product while any of the above conditions are present may result in fire or electric shock.

- If a malfunction or trouble occurs, immediately unplug the car plug and remove the unit from this product. Then, contact your technical support office for repair.

- Do Not Touch This Product or Cable When It Starts Thundering  
Electric shock may result.
- Do Not Place Containers of Liquid or Metal Objects on Top of This Product  
If water or other liquid spills, or if paper clips, coins, or foreign matter get inside this product, fire or electric shock may result.
  - If foreign matter has found its way inside, immediately unplug the car plug and remove the unit from this product. Then contact your technical support office.
- Avoid a Lot of Water, Moisture, Steam, Dust, Oily Vapors, etc.  
Otherwise, possibly resulting in fire or electric shock.
- Use Only the Specified Docking Station with This Product  
Using a Docking Station other than the one supplied (supplied with the unit or one sold separately as an accessory) may result in a fire.

- Do Not Connect a Telephone Line, or a Network Cable Other Than the one Specified, Into the LAN Port.  
If the LAN port is connected to a network such as the ones listed below, a fire or electric shock may result.
  - Networks other than 1000BASE-T, 100BASE-TX or 10BASE-T
  - Phone lines (IP phone (Internet Protocol Telephone), Telephone lines, internal phone lines (on premise switches), digital public phones, etc.)

- 
- Using this product continuously in a hot environment will shorten the product life. Avoid use in these types of environments.
  - When using in hot or cold environment, some peripherals may fail to work properly. Check the operation environment of the peripherals.
  - Do Not Install This Product in Unstable State  
If balance of the unit is lost, it may fall over or drop, resulting in an injury.
  - Docks used in the vertical (Tablet) position must be installed with the lock on TOP. Installing the dock upside down may result in damage to the computer.
  - Do Not Install This Product Where There is a Lot of Water, Moisture, Steam, Dust, Oily Vapors, etc.  
Otherwise, a possibility of fire or electric shock could result.

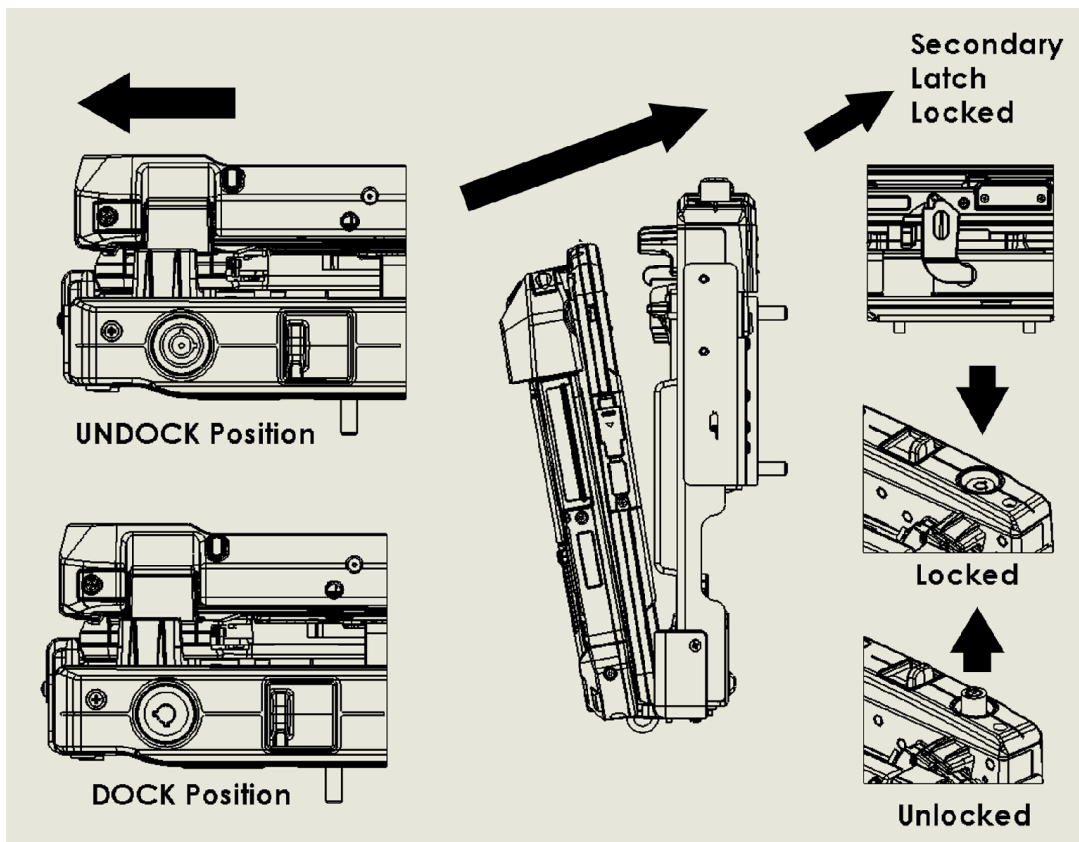
# DOCKING AND UNDOCKING THE COMPUTER

## DOCKING PROCEDURE

1. Ensure latch is in the "UNDOCKED" Position
  2. Extend the TOUGHBOOK 20/FZ-G2 handle to the "DEPLOYED" position then insert the computer
  3. Push the top of the TOUGHBOOK 20/FZ-G2 into the dock. The latch will move to the "Docked" position
  4. To secure the tablet ensure it is in the closed position with the display latch engaged then move the lower latch into the locked position
- \*The secondary latch is configurable to be compatible with both computers. To work with the TOUGHBOOK 20, a provided spacer plate must be attached to the secondary latch using a flat head screw.
5. Push the TOUGHBOOK 20/FZ-G2 handle into the "STOWED" position
  6. Push the lock to secure the device

## NOTES:

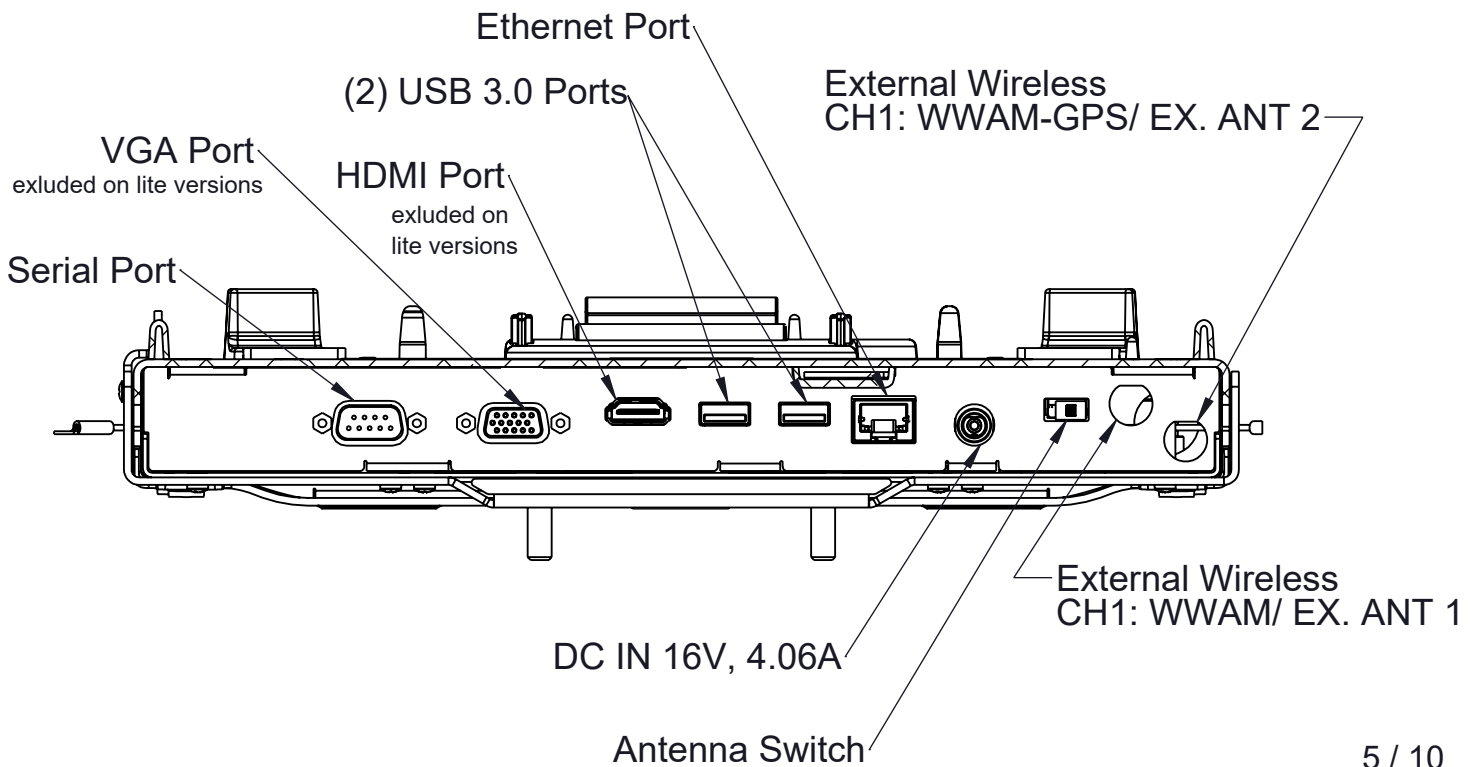
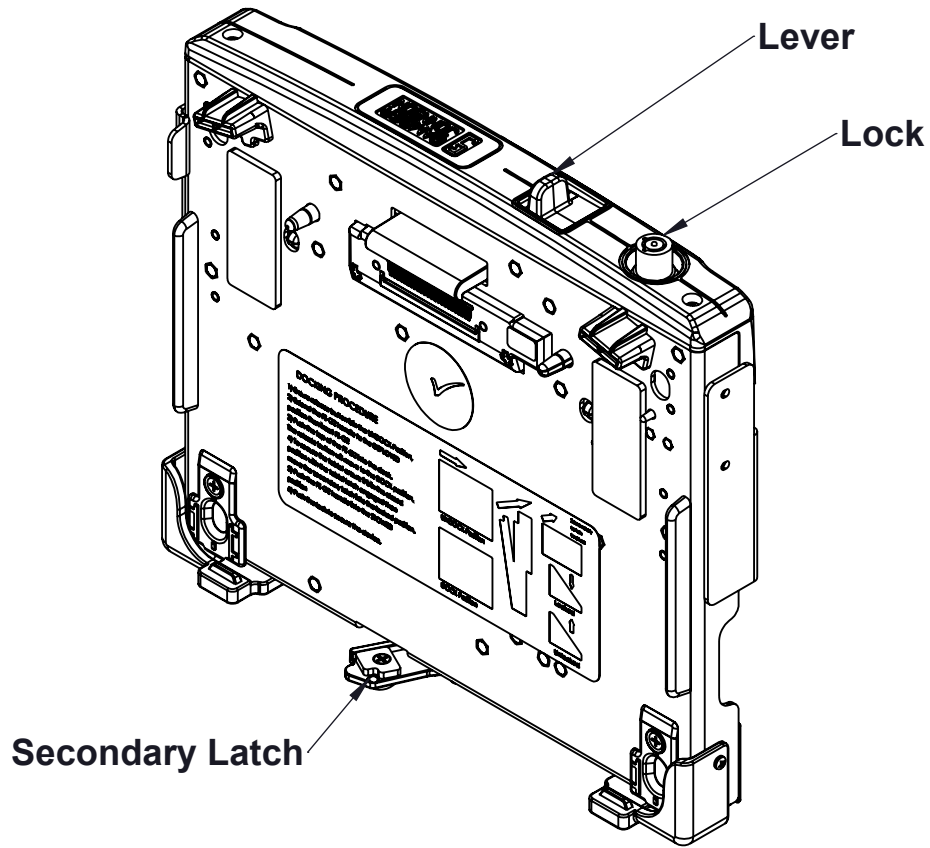
Ensure latch is fully in the "Docked" position. It is recommended that the TOUGHBOOK 20/FZ-G2 is pushed into the dock with two hands. For TOUGHBOOK 20/FZ-G2 fitted with Gadget option, it may be necessary to attach the main unit in the forward direction only. Refer to device manual for further information.



## NOTE:

Portions of your Docking Station may differ somewhat from the illustrations in the operating instructions, but this should present no problems in actual use. Be sure to follow the operating instructions when using your Docking Station.

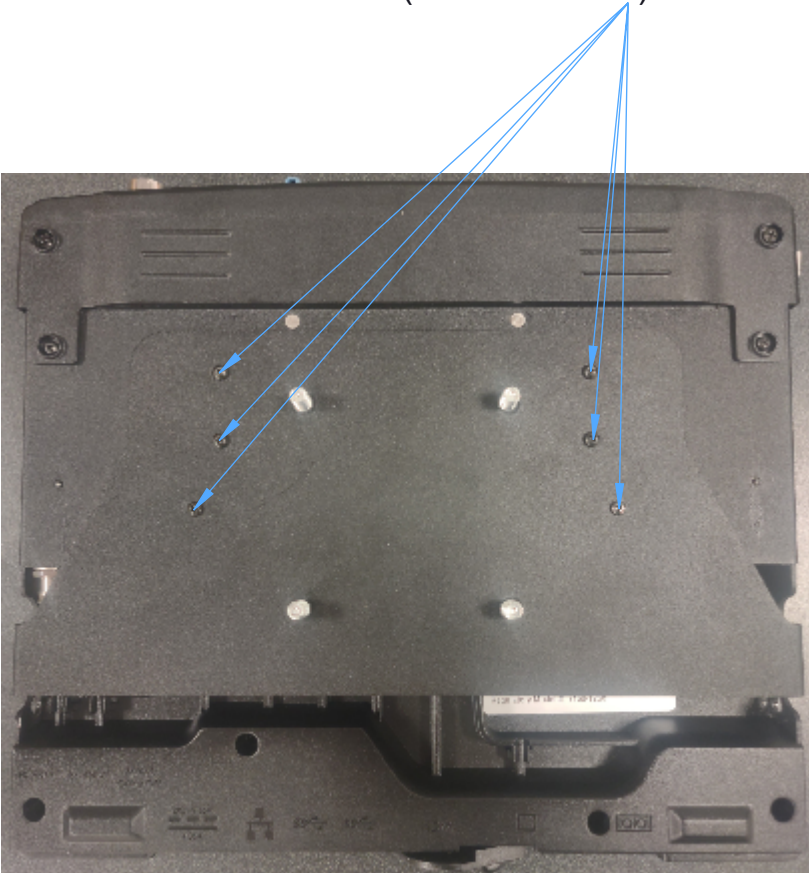
# TOUGHBOOK 20/FZ-G2 DOCKING STATION FEATURE IDENTIFICATION



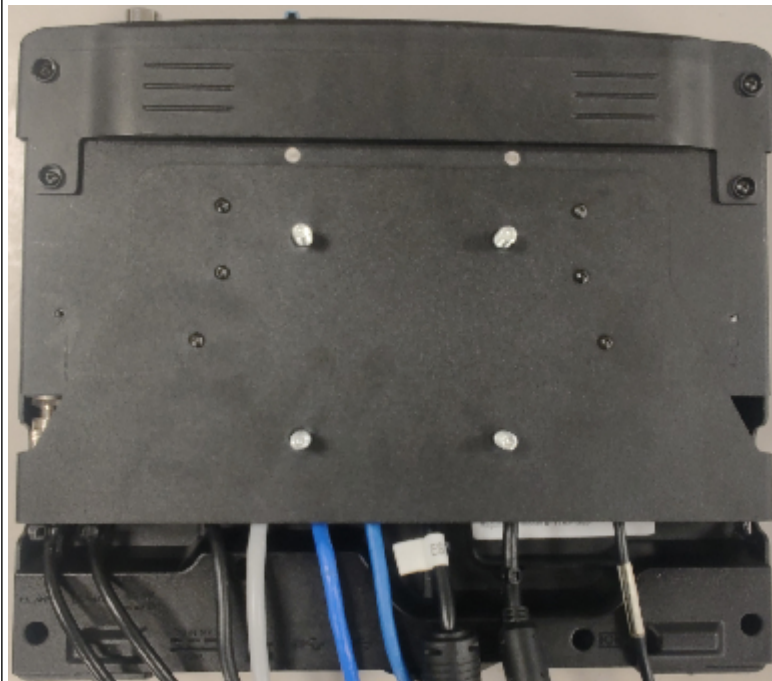
# CABLE MANAGEMENT FEATURES AND PROPER INSTALLATION

1.) Use Zip ties (provided) to secure each port cable to the specific strain relief feature on the dock

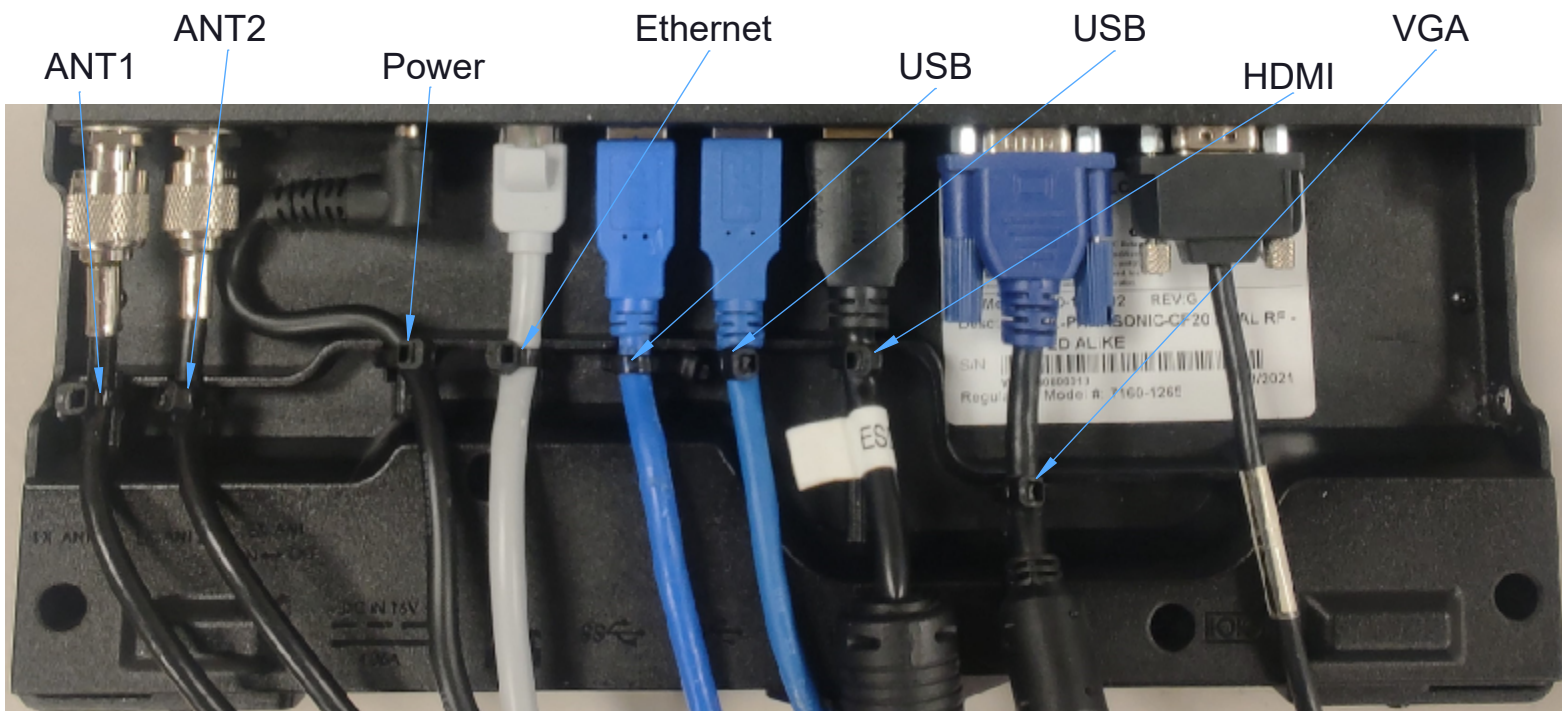
If dock mount plate is covering ports  
remove these screws (OLD DESIGN)



Replace mount plate once wires  
are connected and secured



## CABLE TIE LOCATION



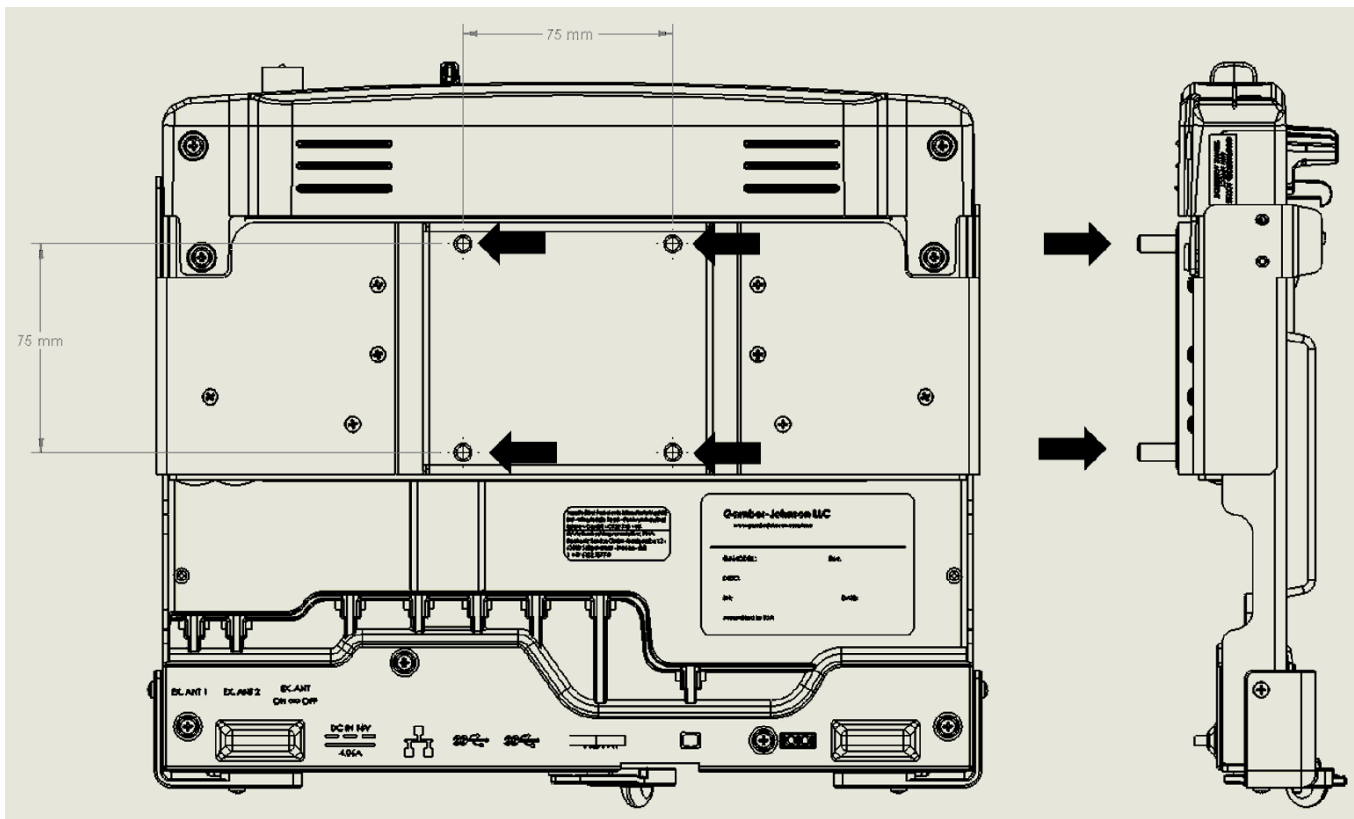
# SPECIFICATIONS

Item	Description
Power Supply Input	DC 15.6V-16V Must use approved FCC/E-marked PSU
Expansion Bus Connector	24-Pin
USB Port*	USB 3.0 x 2
LAN Port	RJ-45 x 1
HDMI Port**	HDMI x 1 For exclusive use with HDMI standard
VGA Port	Mini Dsub 15-pin female (Analog interface)
Serial Port	Dsub 9-pin male
Physical Dimension [WxHxD]	290x277x75mm (11.42x10.91x2.95")
Weight	2.28kg(5 lb)

\* Does not guarantee operation of all USB and HDMI-compatible peripherals

\*\* When connecting the HDMI compatible display, specifications such as maximum resolutions available to output differ, depending on the specifications of the connected devices. See the specifications of the connected device for details.

## DIMENSIONAL DRAWING



Installation fixing 75mm VESA studs are provided in the areas indicated by the arrows in the figure above.

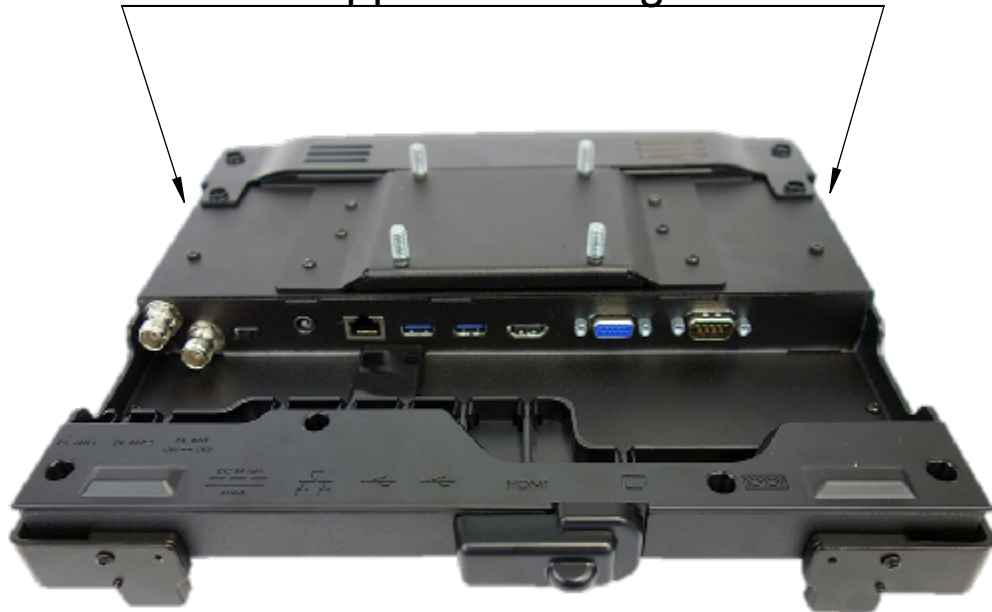
# Screen Support Installation

Screen supports are recommended on all laptop dock/cradles in high-vibration environments.

Screen support can be purchased from [www.GamberJohnson.com](http://www.GamberJohnson.com)

**Part Number: 7110-1275**

## Screen Support Mounting Locations



Use #6-32 screws from screen support hardware bag to attach screen support to the left or right mounting location, do not over-torque screws.

Reccomended torque is 8-11 in/lbs.





# REGULATORY CERTIFICATION INFORMATION

Regulatory Model #: 7160-1265

GJ Model #'s:

7160-1265-00, 7160-1265-00-E, 7160-1265-00-P  
7160-1265-02, 7160-1265-02-E, 7160-1265-02-P  
7160-1265-04, 7160-1265-04-E, 7160-1265-04-P  
7160-1265-06, 7160-1265-06-E, 7160-1265-06-P  
7160-1265-20, 7160-1265-20-E, 7160-1265-20-P  
7160-1265-22, 7160-1265-22-E, 7160-1265-22-P

Descriptions: Dock-Panasonic CF20/FZ-G2

Certifications:

- EN 55032:2012 Class B
- EN 50498:2010
- EN 50581:2012
- EN 62368-1

This device complies with Part 15 of the FCC Rules.

Operation is subject to the following two conditions.

(1) this device may not cause harmful interference, and

(2) this device must accept any interference received, including interference that may cause undesired operation.



Gamber-Johnson LLC  
3001 Borham Ave.  
Stevens Point, WI, 54481  
USA  
715-344-3482

## EN: Safety instructions for proper use

### Precautions for Operating the Car Mounter

- If a Malfunction Occurs, Immediately Unplug the Car Plug and Remove the Computer From this product
- Use Only the Specified Car Adaptor With This Product
- Avoid a Lot of Water, Moisture, Steam, Dust, Oily Vapors, etc
- Portions of your car mounter may differ somewhat from the illustrations in the operating instructions, but this should present no problems in actual use

**For business users in the European Union.** If you wish to discard electrical and electronic equipment, please contact your dealer or supplier for further information.

### Precautions for Installing the Car Mounter

- Do Not Install This Product in Unstable State
- Do Not Install This Product Wherever There is a Lot of Water, Moisture, Steam, Dust, Oily Vapors, etc

## DE: Sicherheitshinweise bei einer ordnungsgemäßen Nutzung

### Vorsichtsmaßnahmen beim Einsatz der Fahrzeughalterung

- Entfernen Sie beim Auftreten einer Fehlfunktion unverzüglich das Fahrzeugnetzteil und trennen Sie die Verbindung zwischen Computer und dem Produkt
- Verwenden Sie nur das angegebene Fahrzeugnetzteil für das Produkt
- Wasser, Feuchtigkeit, Dampf, Staub, ölige Dämpfe usw. vermeiden
- Einige Bereiche Ihrer Automontagevorrichtung können von den Abbildungen in der Bedienungsanleitung geringfügig abweichen, was für die tatsächliche Nutzung jedoch unerheblich ist.

**Für Kunden in der Europäischen Union.** Bitte treten Sie mit Ihrem Händler oder Lieferanten in Kontakt, wenn Sie elektrische und elektronische Geräte entsorgen möchten. Er hält weitere Informationen für Sie bereit.

### Vorsichtshinweise zum Einbau der Automontagevorrichtung

- Installieren Sie das Produkt nicht in instabilem Zustand
- Installieren Sie das Produkt nicht in der Umgebung von Wasser, Feuchtigkeit, Dampf, Staub, öligen Dämpfen usw.

## FR: Consignes de sécurité pour une utilisation correcte

### Précautions d'utilisation de auto monter

- En cas de dysfonctionnement, débrancher immédiatement la fiche et déconnecter l'ordinateur de ce produit.
- Ne connectez pas au port pour réseau local un câble téléphonique ou un câble réseau autre que ceux spécifiés.
- Éviter le contact de l'eau, de l'humidité, de la vapeur, de la poussière, des vapeurs graisseuses, etc.
- Certaines parties de votre auto monter peuvent différer quelque peu des illustrations imprimées dans les instructions d'utilisation mais cela ne doit présenter aucun problème lors de l'utilisation.

**Utilisateurs professionnels de l'Union européenne.** Pour en savoir plus sur l'élimination des appareils électriques et électroniques, contactez votre revendeur ou fournisseur.

### Précautions à prendre pour l'installation de l'Auto monter

- Ne pas installer ce produit sur un support instable
- Ne pas installer ce produit en présence d'eau, d'humidité, de vapeur, de poussière, de vapeurs graisseuses, etc.