



# INSTALLATION INSTRUCTIONS

<b><u>Product</u></b> 7160-1917 DUAL DISPLAY CLEVIS MOUNT	<b><u>Revision</u></b> Rev A	<b><u>Form</u></b> INST-1165  Printing Spec: PS-001
---	---------------------------------	--

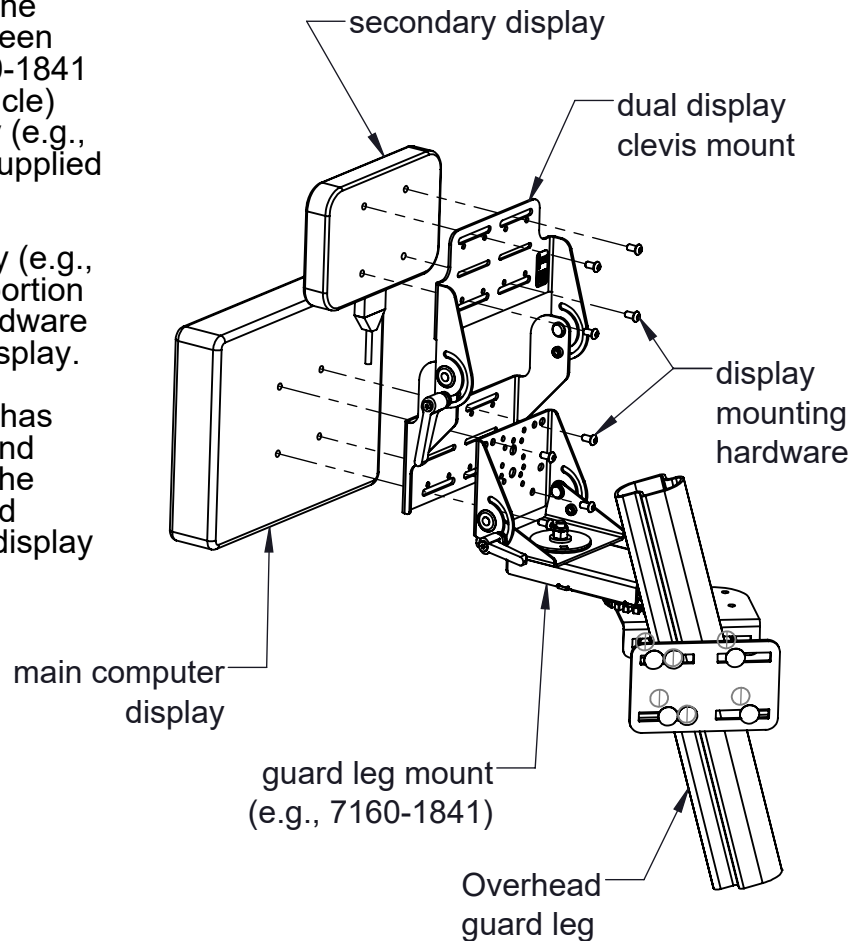
This instruction sheet is for the 7160-1917 (dual display clevis mount) only. For instruction sheets concerning other mounting equipment, please download those specific instruction sheets from their specific sources.

## Installing the mount:

1. Attach the lower portion of the dual display clevis mount between the guard leg mount (e.g., 7160-1841 previously installed on the vehicle) and the main computer display (e.g., JLT VMU) with the hardware supplied with the main display.

2. Attach the secondary display (e.g., Gem One display) to the top portion of the dual display with the hardware supplied with the secondary display.

Note: The dual display mount has large slots on both the upper and lower portions of the mount. The upper display can be positioned offset side to side of the main display if desired.



### Product Mounting Disclaimer

Gamber-Johnson is not liable under any theory of contract or tort law for any loss, damage, personal injury, special, incidental or consequential damages for personal injury or other damage of any nature arising directly or indirectly as a result of the improper installation or use of its products in vehicle or any other application. In order to safely install and use Gamber-Johnson products full consideration of vehicle occupants, vehicle systems (i.e., the location of fuel lines, brake lines, electrical, drive train or other systems), air-bags and other safety equipment is required. Gamber-Johnson specifically disclaims any responsibility for the improper use or installation of its products not consistent with original vehicle manufactures specifications and recommendations, Gamber-Johnson product instruction sheets, or workmanship standards as endorsed through the Gamber-Johnson Certified Installer Program.

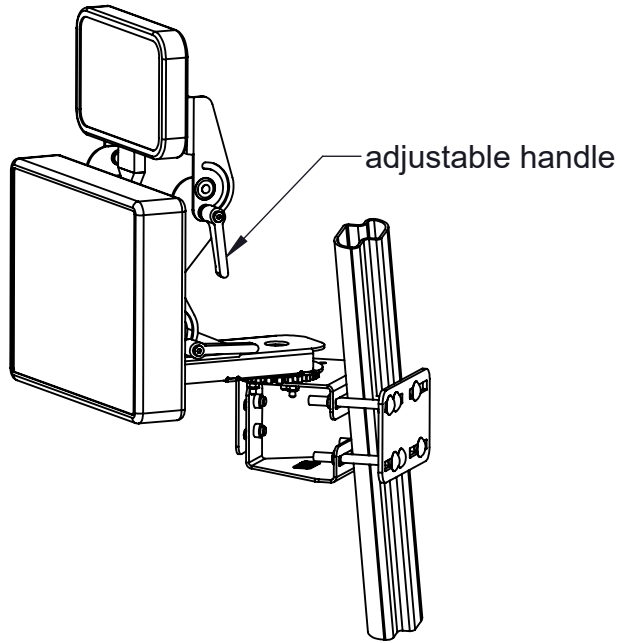
© Copyright 2024 Gamber-Johnson, LLC

If you need assistance or have questions, call Gamber-Johnson at 1-800-456-6868

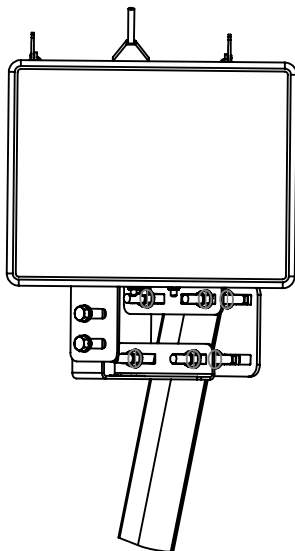
Lowering the secondary display when not in use:

1. To lower the secondary display, loosen the adjustable handle on the right side of the mount by turning the handle counter clockwise. Carefully tilt the upper display downward behind the main display. Be careful not to pinch or pull on any cables attached to the secondary display.
2. Re-tighten the adjustable handle to hold the secondary display in the lowered position.

view of dual display  
positioned in upward  
position



front view of dual display  
positioned in downward  
position



side view of dual display  
positioned in downward  
position

