



INSTALLATION INSTRUCTIONS

Product

7160-1446 - CONSOLE BOX 2020+ FORD PI UTILITY
 LOW PROFILE
 7160-1335 - CONSOLE BOX 2020+ FORD PI UTILITY
 SHORTY BOX

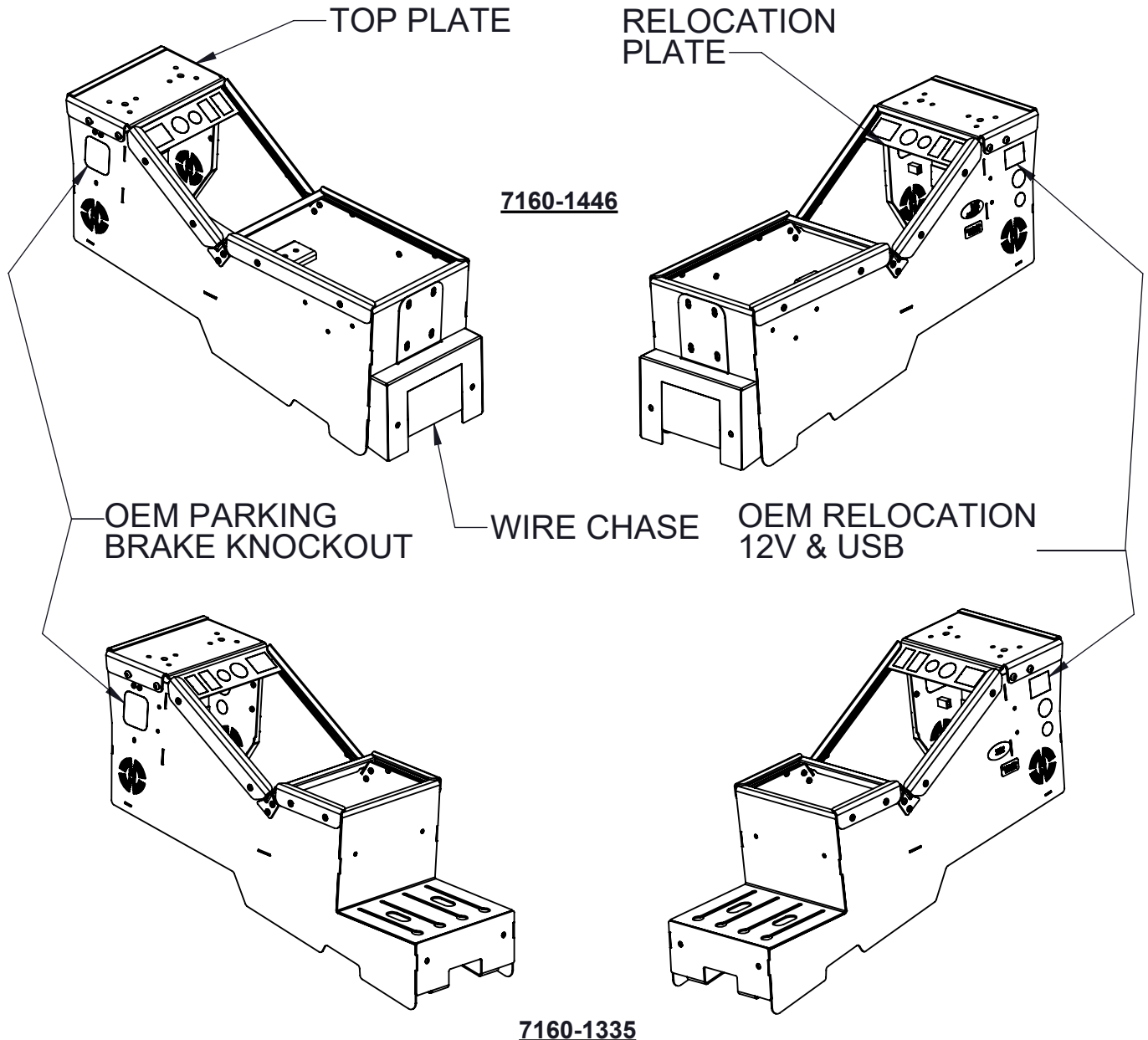
Revision

B

Form

INST-947

Printing Spec: PS-001



Product Mounting Disclaimer

Gamber-Johnson is not liable under any theory of contract or tort law for any loss, damage, personal injury, special, incidental or consequential damages for personal injury or other damage of any nature arising directly or indirectly as a result of the improper installation or use of its products in vehicle or any other application. In order to safely install and use Gamber-Johnson products full consideration of vehicle occupants, vehicle systems (i.e., the location of fuel lines, brake lines, electrical, drive train or other systems), air-bags and other safety equipment is required. Gamber-Johnson specifically disclaims any responsibility for the improper use or installation of its products not consistent with original vehicle manufactures specifications and recommendations, Gamber-Johnson product instruction sheets, or workmanship standards as endorsed through the Gamber-Johnson Certified Installer Program.

© Copyright 2019 Gamber-Johnson, LLC

If you need assistance or have questions, call Gamber-Johnson at 1-800-456-6868

Installation:

1. Remove the OEM Center console by loosen the 4 nuts using 10MM socket.(shown in figure 1)

2. Remove the OEM center trim by loosen the 2 bolts holding it using 7MM socket. Remove the OEM 12v/USB/E-brake from the Trim, (to remove the E-brake use T20 socket.)



Figure 1

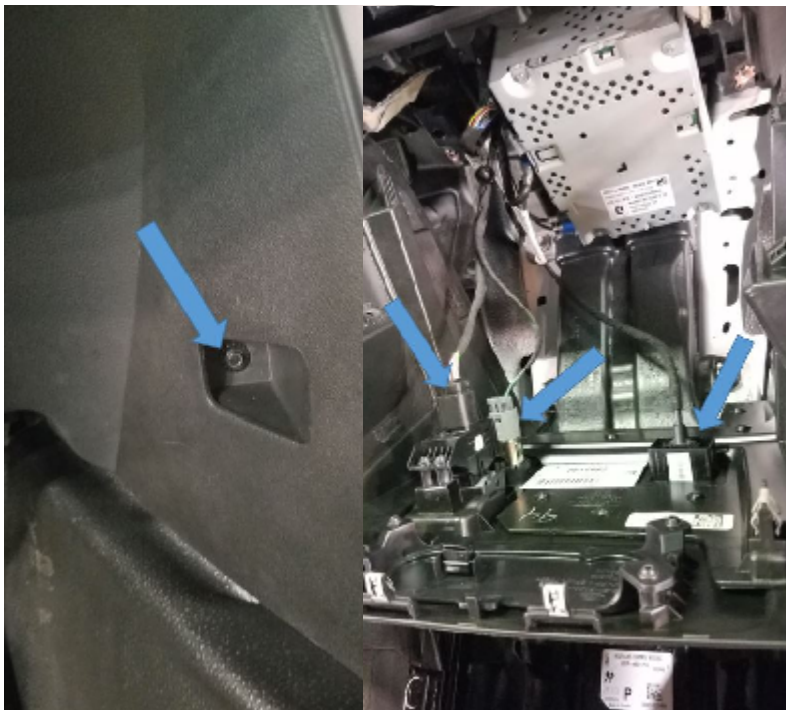
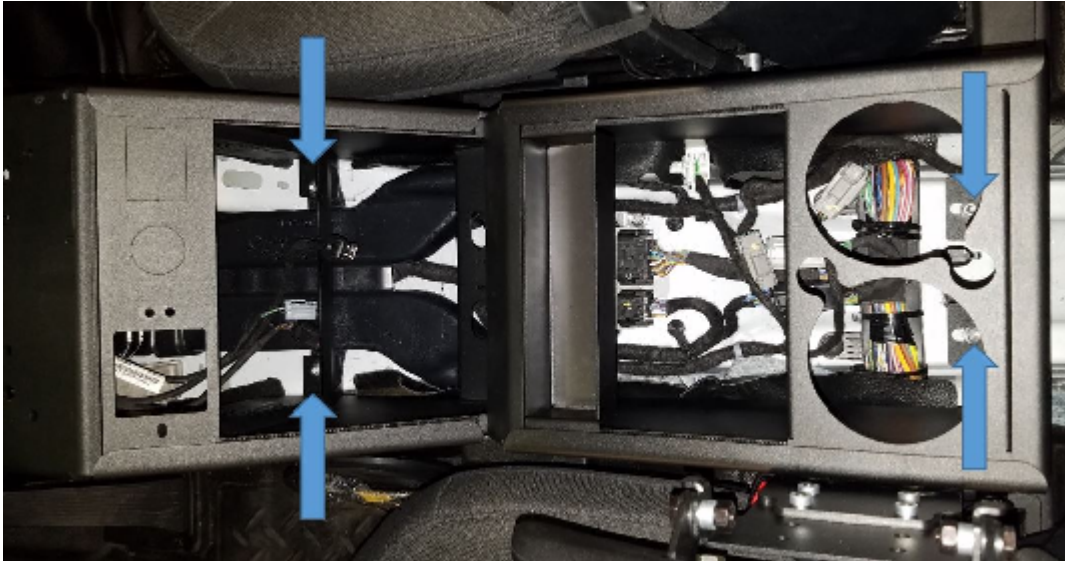


Figure 2

3. With the OEM controller removed reinstall the trim back in place. run the wires through the openings

Installation (continued):

4. Now place the GJ 2020+ Utility console box in place, align the mounting holes with the OEM studs as shown in Figure 4. and hand tighten the OEM nuts.



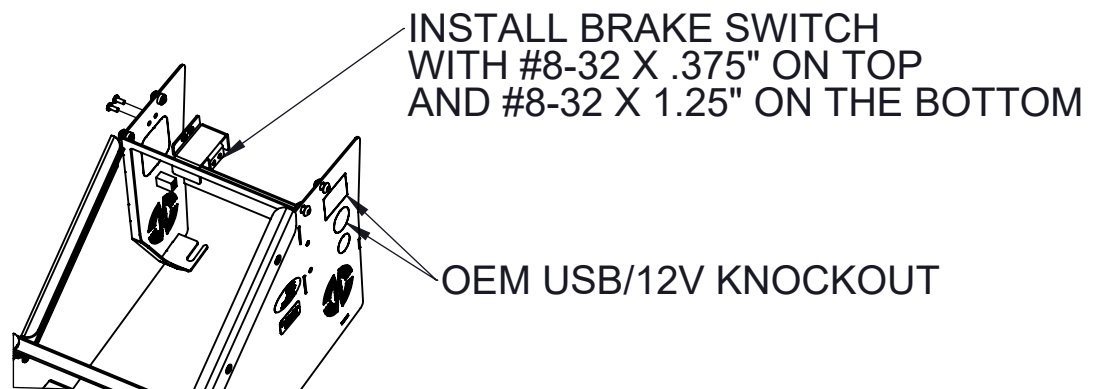
5. With everything in place, tighten down all bolts and nuts and check to make sure everything is secure.

*** Console 7160-1335 install using the same mounting points**

*The Top Plate and Center Brace on both console boxes are designed to be removable to aid in installation and cable routing. If either item is removed Gamber-Johnson recommends reinstalling the screws with a drop of Blue 242 Loctite to prevent loosening. Torque the (4) top plate bolts to 65-80 in-lbs when reinstalling.

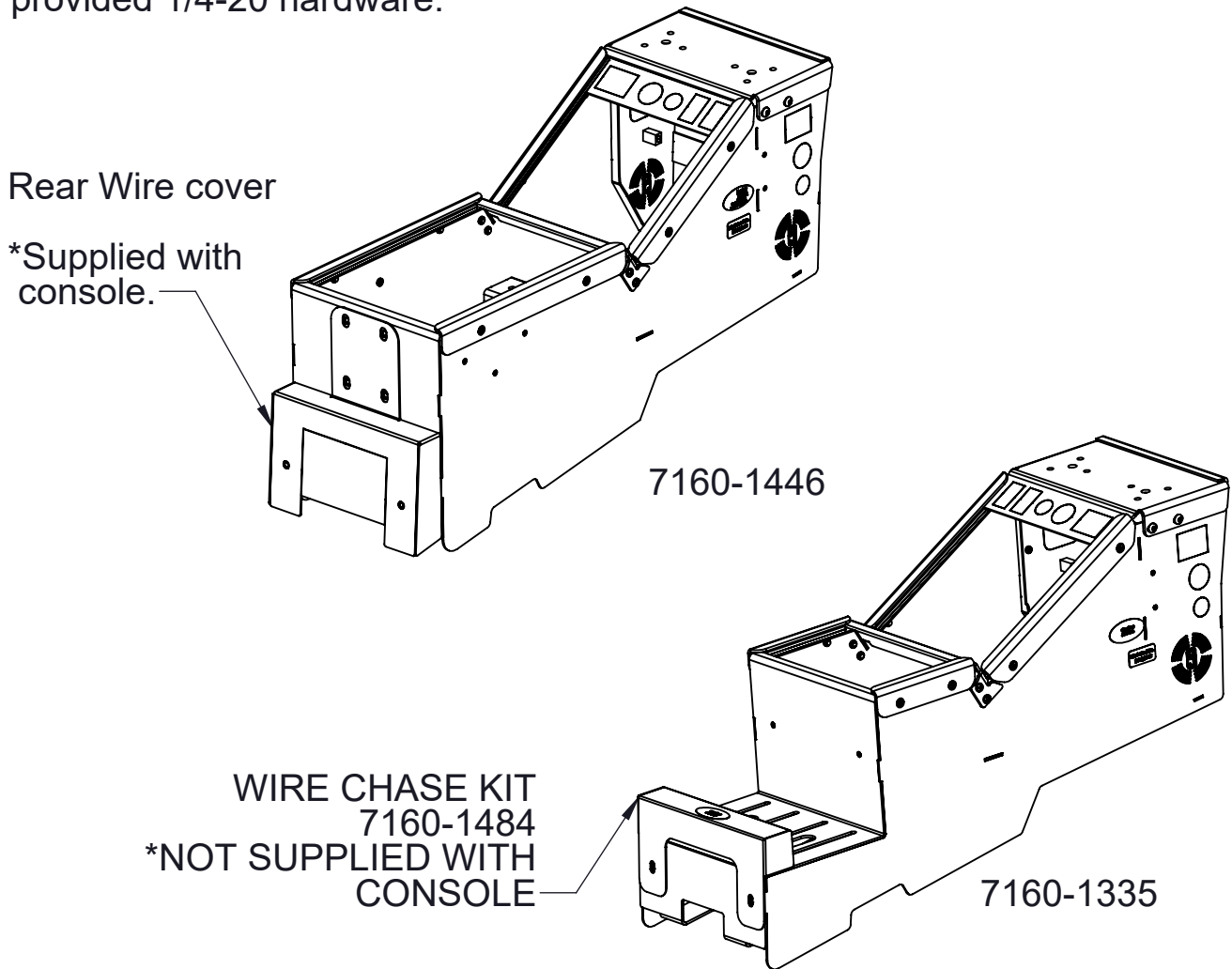
Relocation

1. The parking brake can be relocated to the driver side console the the knockout provided
2. The OEM USB/12V can be relocated to the passagner side if provided face panel is not desired



Rear Wire Cover

With the 2020+ FORD PI Utility console GJ provides a rear wire cover for car package with OEM option. if needed the cover can be installed with provided 1/4-20 hardware.



Optional Equipment

*If provided side relocation is not desirable a faceplate relocation is available
GJ Part Number 7160-1459

