

PRODUCT DIMENSIONS

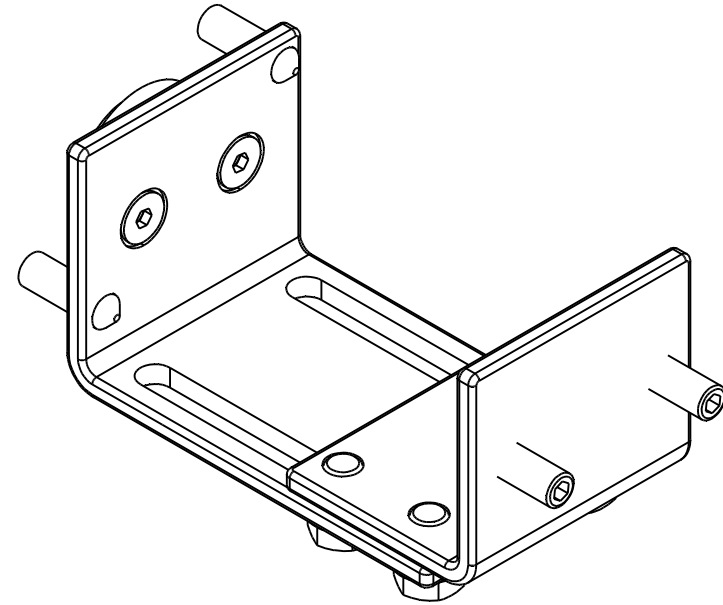
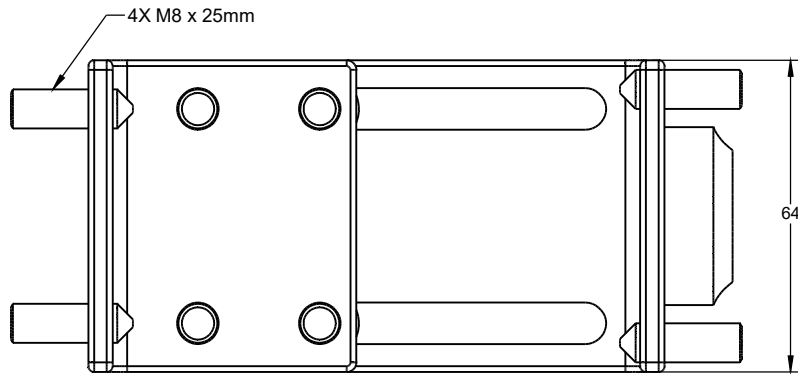
THE DESIGN, DETAILS, AND THIS DOCUMENT ARE THE PROPERTY OF GAMBER-JOHNSON
PAGE 2 of 2

ZIRKONA

PART NUMBER: 7110-1274

DESCRIPTION: BEAM MOUNT w/ M20 ADAPTER - ZIRKONA #602100

WEIGHT (LBS):



METRIC DIMENSIONS

