



INSTALLATION INSTRUCTIONS

Product

7160-1995

GUARD LEG MOUNT

Revision

Rev A

Form

INST-1197

Printing Spec: PS-001

This instruction sheet is for installing a 7160-1995 guard leg mount on the front overhead guard leg of a forklift. The mount is designed to attach to the inside surface of a forklift overhead guard leg up to 4" wide. The mount has a clevis attached to a 4" arm which allows the user to position the device (docking station or VMU) in a location that best fits their specific application.

Attaching the mount to the right front overhead guard leg:

1. Use the appropriate carriage bolts (typically the 3.50" long) provided in the hardware bag to attach the mount to the guard leg. Insert the 3/8 carriage bolts through the diamond shaped back plate on the outside of the vehicle and through the interior main bracket as shown. Attach the 3/8" flange nuts on the inside of the bracket.

2. With the mounting bracket and arm positioned level with the floor, rotate the carriage bolts in the curved slots until they are tight against the overhead guard leg and tighten in place.

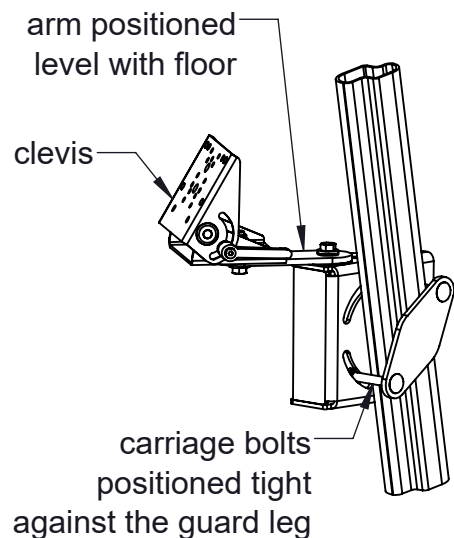
3. Attach the device (docking station or VMU) to the clevis with the hardware supplied with the device.

Note: The arm has 2 mounting hole locations on each side of the main bracket. The end user can remove the 3/8 hex bolt that holds the arm in the current location and move it to the secondary location. This will change where the arm pivots from.

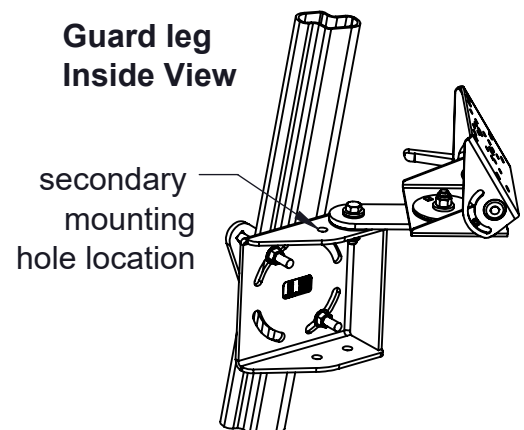
Attaching the mount to the left front overhead guard leg:

The mounting holes on the opposite side of the mount are for mounting on the left front overhead guard leg. To mount on the left side of a vehicle, flip over the mount 180 deg. and move the arm to the opposite side of the mount.

Guard leg Outside View



Guard leg Inside View



Product Mounting Disclaimer

Gamber-Johnson is not liable under any theory of contract or tort law for any loss, damage, personal injury, special, incidental or consequential damages for personal injury or other damage of any nature arising directly or indirectly as a result of the improper installation or use of its products in vehicle or any other application. In order to safely install and use Gamber-Johnson products full consideration of vehicle occupants, vehicle systems (i.e., the location of fuel lines, brake lines, electrical, drive train or other systems), air-bags and other safety equipment is required. Gamber-Johnson specifically disclaims any responsibility for the improper use or installation of its products not consistent with original vehicle manufactures specifications and recommendations, Gamber-Johnson product instruction sheets, or workmanship standards as endorsed through the Gamber-Johnson Certified Installer Program.

© Copyright 2024 Gamber-Johnson, LLC

If you need assistance or have questions, call Gamber-Johnson at 1-800-456-6868

