



INSTALLATION INSTRUCTIONS

Product

7160-1863

SINGLE CELL GUN MOUNTING BRACKET

Revision

Rev A

Form

INST-1124

Printing Spec: PS-001

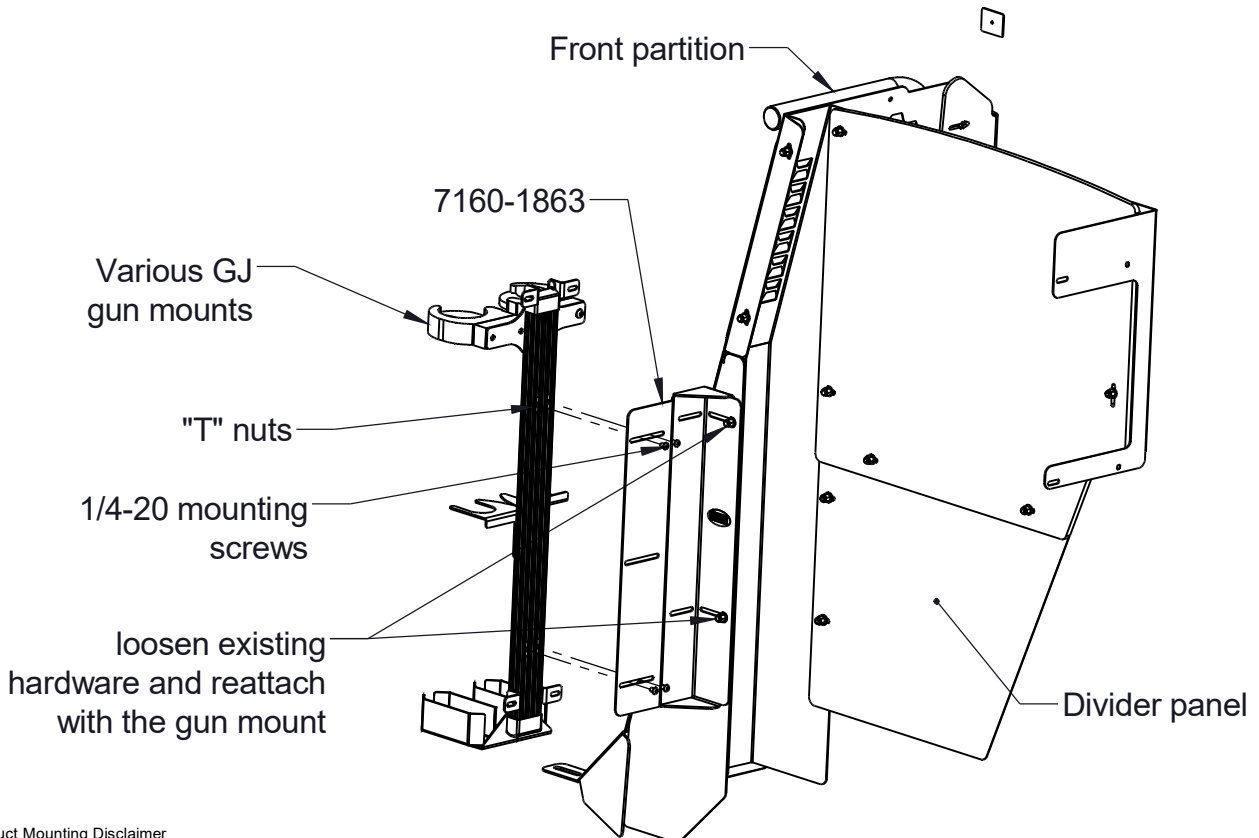
This instruction sheet is for the 7160-1863 single cell gun mounting bracket only. For mounting the Gamber-Johnson single cell partitions, please see their specific instruction sheets.

The gun mount can be attached to the single cell partition so the guns are facing forward or sideways. It is up to the end user to determine which way they want the guns facing for their specific installation.

Forward facing guns:

Step 1: Attach the 7160-1863 gun mounting bracket to the single cell partition with the existing hardware that attaches the divider panel to the front partition.

Step 2: Attach the various GJ gun mounts to the single cell gun mounting bracket with the "T" nuts and 1/4-20 socket button head screws provided with the gun mount.



Product Mounting Disclaimer

Gamber-Johnson is not liable under any theory of contract or tort law for any loss, damage, personal injury, special, incidental or consequential damages for personal injury or other damage of any nature arising directly or indirectly as a result of the improper installation or use of its products in vehicle or any other application. In order to safely install and use Gamber-Johnson products full consideration of vehicle occupants, vehicle systems (i.e., the location of fuel lines, brake lines, electrical, drive train or other systems), air-bags and other safety equipment is required. Gamber-Johnson specifically disclaims any responsibility for the improper use or installation of its products not consistent with original vehicle manufactures specifications and recommendations, Gamber-Johnson product instruction sheets, or workmanship standards as endorsed through the Gamber-Johnson Certified Installer Program.

© Copyright 2023 Gamber-Johnson, LLC

If you need assistance or have questions, call Gamber-Johnson at 1-800-456-6868

Sideways facing guns:

Step 1: Attach the various GJ gun mounts to the single cell gun mounting bracket with the "T" nuts and 1/4-20 button head screws provided with the varoius gun mounts.

Step 2: Attach the 7160-1863 gun mounting bracket to the single cell partition with the existing hardware that attaches the divider panel to the front partition.

