



INSTALLATION INSTRUCTIONS

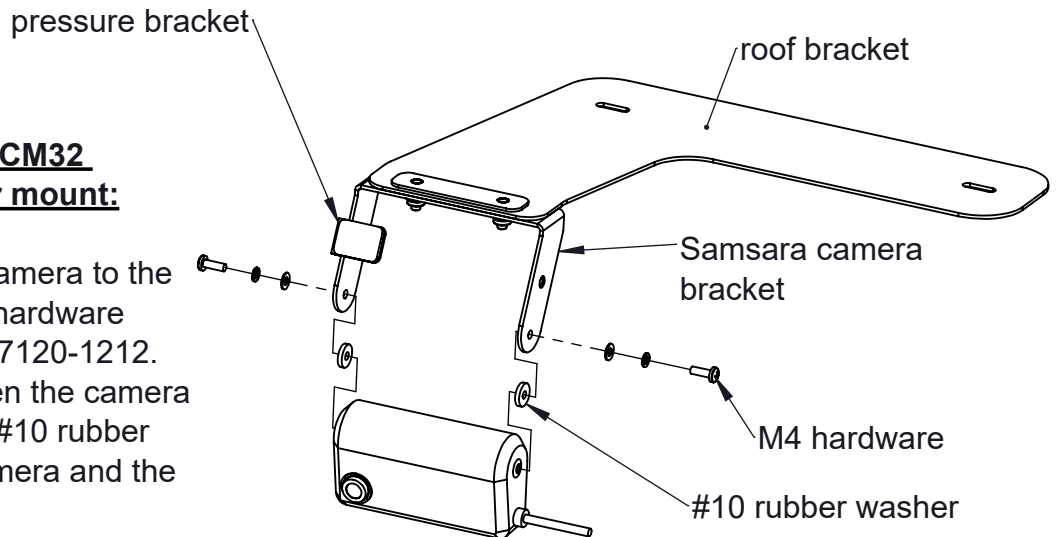
<u>Product</u> 7160-1927, 7160-1977 KENWORTH T680 HEADLINER CAMERA MOUNT	<u>Revision</u> Rev A	<u>Form</u> INST-1187 Printing Spec: PS-001
---	---------------------------------	--

This instruction sheet is for mounting the Kenworth T680 headliner camera mount in the vehicle. The mount will also work in a T880. The different 7160 part numbers listed below are designed to hold different cameras. The main bracket is the same for both part numbers while the specific camera brackets are different for each camera.

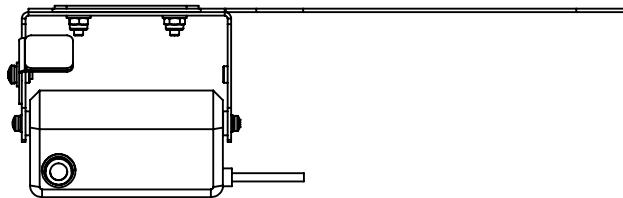
7160-1927 = Kenworth T680 mount for a Samsara CM32 camera
7160-1977 = Kenworth T680 mount for a Lytx ER-SF300 camera.

Attaching the Samsara CM32 camera to the headliner mount:

1. Attach the Samsara camera to the camera bracket with the hardware found in hardware bag # 7120-1212. Insert the camera between the camera bracket ears with the (2) #10 rubber washers between the camera and the bracket ears.
2. Insert the (2) M4 screws, lock washers, and flat washers through the bracket and into the camera to hold it in place. Do not tighten the screws at this time.



VIEW SHOWING
CAMERA ATTACHED



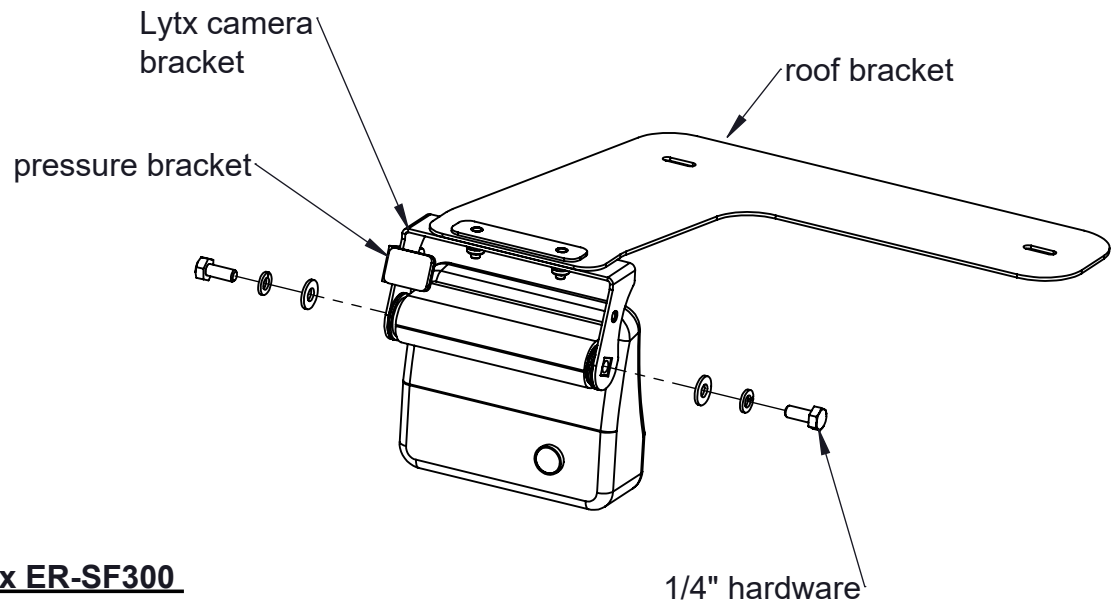
Product Mounting Disclaimer

Gamber-Johnson is not liable under any theory of contract or tort law for any loss, damage, personal injury, special, incidental or consequential damages for personal injury or other damage of any nature arising directly or indirectly as a result of the improper installation or use of its products in vehicle or any other application. In order to safely install and use Gamber-Johnson products full consideration of vehicle occupants, vehicle systems (i.e., the location of fuel lines, brake lines, electrical, drive train or other systems), air-bags and other safety equipment is required. Gamber-Johnson specifically disclaims any responsibility for the improper use or installation of its products not consistent with original vehicle manufactures specifications and recommendations, Gamber-Johnson product instruction sheets, or workmanship standards as endorsed through the Gamber-Johnson Certified Installer Program.

© Copyright 2024 Gamber-Johnson, LLC

If you need assistance or have questions, call Gamber-Johnson at 1-800-456-6868

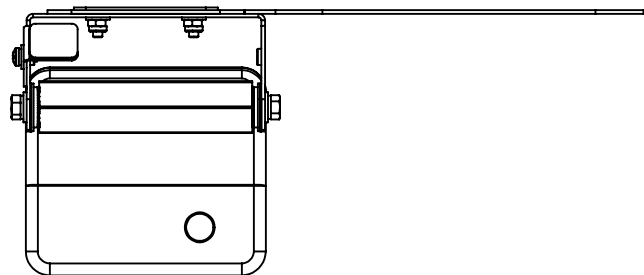




Attaching the Lytx ER-SF300 camera to the headliner mount:

1. Attach the Lytx camera to the camera bracket with the hardware found in hardware bag # 7120-1213. Insert the camera between the camera bracket ears.
2. Insert the (2) 1/4-20 hex bolts, lock washers, and flat washers through the bracket and into the camera to hold it in place. Do not tighten the screws at this time.

VIEW SHOWING
CAMERA ATTACHED



Attaching the camera mount to the headliner:

3. Remove the two screws that attach the small center sun visor headliner to the roof and reattach with with the mount compressed between the headliner and the center sun visor (see below). **Note, the mount is designed to be installed with the camera bracket towards the passenger side. The mount can be flipped upsidedown which will position the mount closer to the driver if desired. The pictures below show this orientation because the test vehicle already had a camera mounted to the windshield on the passenger side.**
4. If the camera bracket is hitting the windshield, the bracket can be adjusted by loosening the (2) #10 lock nuts that hold the camera bracket to the roof bracket. The side to side angle of the camera can also be adjusted at this same location. Adjust as needed, then re-tighten the lock nuts in place.
5. Adjust the pressure bracket against the windshield, by loosening the #10 machine screw that holds the bracket in place, adjust the bracket outward until it is pressing on the windshield and re-tighten the screw to hold it in place. This will help eliminate vibration and bounce in the camera. **Note, the pressure bracket can be moved to the opposite side of the camera bracket if that location better suits your specific vehicle.**
7. Last, adjust the up and down camera angle to the desired position and tighten the mounting hardware that holds the camera in place (hardware installed in step 2).
8. Once powered, check the camera view position and make adjustments that best fit your specific camera angle requirements.



headliner mount with
Samsara camera attached



headliner mount with
Lytx camera attached

