



INSTALLATION INSTRUCTIONS

| | | |
|---------------------------|------------------------|------------------------------|
| <u>Product</u> | <u>Revision</u> | <u>Form</u> |
| 7160-1939, 7160-1765 | Rev A | INST-1196 |
| CAMERA SUCTION CUP MOUNTS | | Printing Spec: PS-001 |

This instruction sheet is for mounting a camera suction cup mount in a vehicle. The different 7160 part numbers listed below are designed to hold different cameras. The suction cup mount attaches to the windshield of the vehicle with the camera positioned below the suction cup. Place the camera in the desired location on the windshield which will give you the best view for your specific needs.

Gamber-Johnson suction cups are compatible with smooth, non-porous surfaces (no rough or textured surfaces). Clean surface thoroughly before applying suction. When left unattended in extreme temperatures, it is recommended to stow the suction cup. Suction cups are considered a general wear item and are not covered under any warranty.

Note: a lanyard (supplied by others) can be employed to attach the mount to a higher point in the vehicle for added safety.

- 7160-1939 = Samsara CM32 camera suction cup mount (Page 2)
- 7160-1765 = Lytx ER-SF300 camera suction cup mount (Page 3)

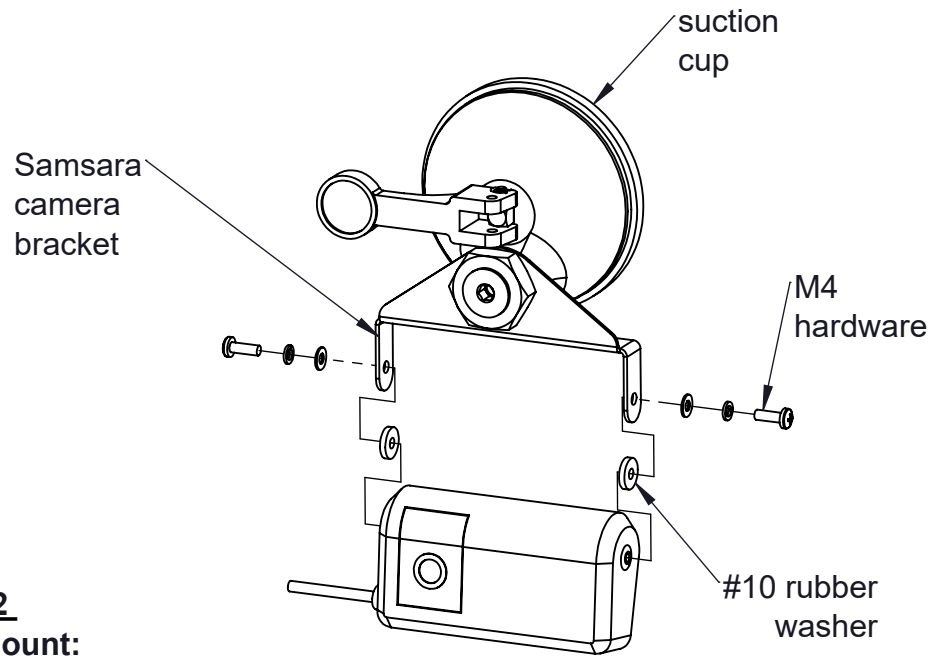
Product Mounting Disclaimer

Gamber-Johnson is not liable under any theory of contract or tort law for any loss, damage, personal injury, special, incidental or consequential damages for personal injury or other damage of any nature arising directly or indirectly as a result of the improper installation or use of its products in vehicle or any other application. In order to safely install and use Gamber-Johnson products full consideration of vehicle occupants, vehicle systems (i.e., the location of fuel lines, brake lines, electrical, drive train or other systems), air-bags and other safety equipment is required. Gamber-Johnson specifically disclaims any responsibility for the improper use or installation of its products not consistent with original vehicle manufactures specifications and recommendations, Gamber-Johnson product instruction sheets, or workmanship standards as endorsed through the Gamber-Johnson Certified Installer Program.

© Copyright 2024 Gamber-Johnson, LLC

If you need assistance or have questions, call Gamber-Johnson at 1-800-456-6868

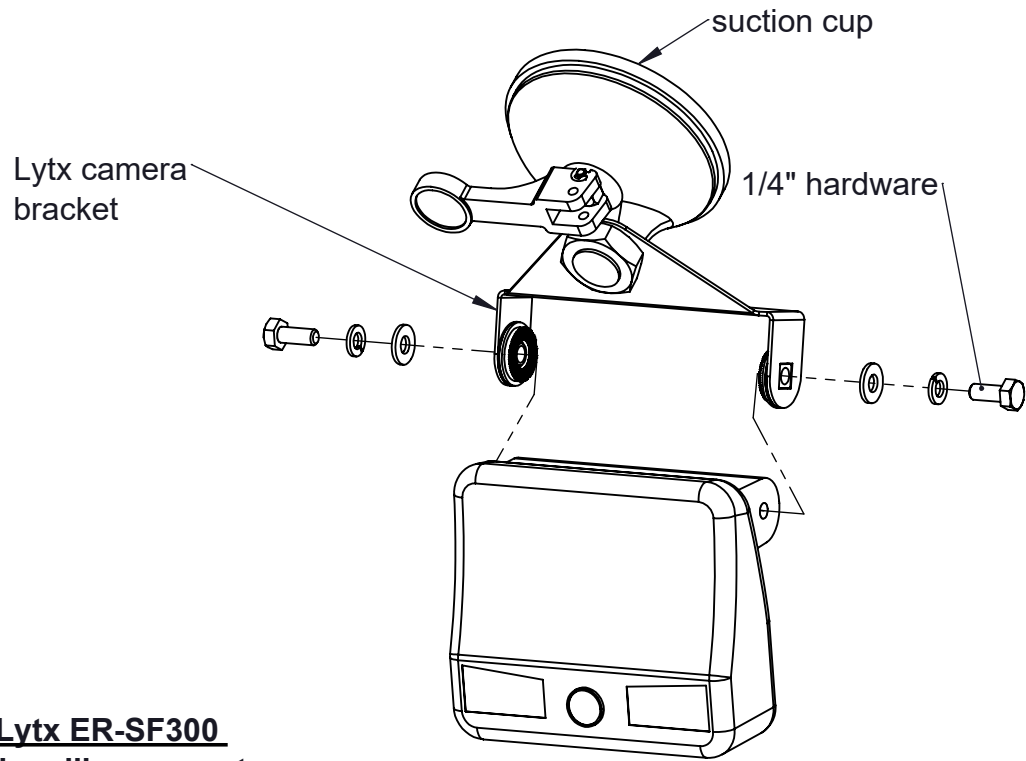




Attaching the Samsara CM32 camera to the suction cup mount:

1. Attach the Samsara camera to the camera bracket with the hardware found in hardware bag # 7120-1212. Insert the camera between the camera bracket ears with the (2) #10 rubber washers between the camera and the bracket ears.
2. Insert the (2) M4 screws, lock washers, and flat washers through the bracket and into the camera to hold it in place. Adjust the camera angle to the desired location and tighten the screws in place.





Attaching the Lytx ER-SF300 camera to the headliner mount:

1. Attach the Lytx camera to the camera bracket with the hardware found in hardware bag # 7120-1213. Insert the camera between the camera bracket ears.
2. Insert the (2) 1/4-20 hex bolts, lock washers, and flat washers through the bracket and into the camera to hold it in place. Adjust the camera angle to the desired location and tighten the screws in place.

