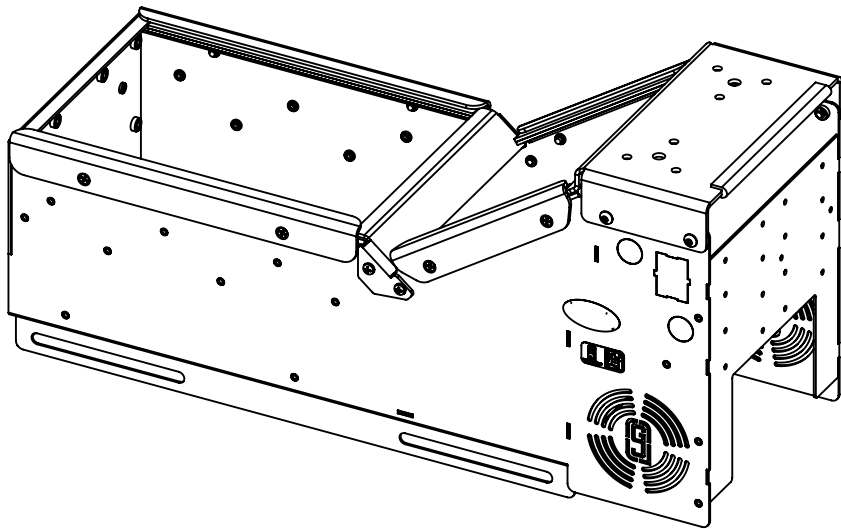




INSTALLATION INSTRUCTIONS

<u>Product</u> 7160-0548, 7170-0237 CONSOLE BOX - CHEVY TAHOE/SILVERADO 2015+	<u>Revision</u> Rev. H	<u>Form</u> INST-642
Printing Spec: PS-001		

NOTE: The 7160-0548 Console Box also works for the following vehicles with their Leg Kits:
Silverado, Tahoe, Sierra, Yukon (2015+) (Item No. 7160-0509)
Ford F-150 (2015+) (Item No. 7160-0555)
Ram Promaster Van (2014+) (Item No. 7160-0589)
Dodge Ram Truck (2011+) (Item No. 7160-0422)



Product Mounting Disclaimer
Gamber-Johnson is not liable under any theory of contract or tort law for any loss, damage, personal injury, special, incidental or consequential damages for personal injury or other damage of any nature arising directly or indirectly as a result of the improper installation or use of its products in vehicle or any other application. In order to safely install and use Gamber-Johnson products full consideration of vehicle occupants, vehicle systems (i.e., the location of fuel lines, brakes lines, electrical, drive train or other systems), air-bags and other safety equipment is required. Gamber-Johnson specifically disclaims any responsibility for the improper use or installation of its products not consistent with the original vehicle manufactures specifications and recommendations, Gamber-Johnson product instruction sheets, or workmanship standards as endorsed through the Gamber-Johnson Certified Installer Program.

© Copyright 2015 Gamber-Johnson, LLC

If you need assistance or have questions, call Gamber-Johnson at 1-800-456-6868

WARNING

- You must read and follow all of these installation instructions. Failure to follow all of these installation instructions may result in serious bodily injury or death.
- Keep these installation instructions with the product and readily available in the vehicle for future reference of other users of the product.
- Additional copies of the installation instructions can be obtained from Gamber Johnson.
- If you need assistance or have any questions, call Gamber-Johnson at 1-800-456-6868.
- Do not remove warning label from product under any circumstances.
- Before installation of any equipment always check area for routing of wires / cables and if drilling is required check area where drilling above and below the drilling area.
- High speed vehicle turns may cause a motion attachment product to swivel, interfering with the driver or other equipment.
- The Vehicle Base, Upper Pole, Motion Attachment and Dock or Cradle should not be positioned in the area where the airbag will be deployed if it is activated. DO NOT position the equipment in front of an airbag. Equipment positioned in front of an airbag can cause serious injury or death if and airbag was activated, such as in an accident.
- The installer and user of this product(s) are responsible for installing and using Upper Pole, Motion Attachment and Dock or Cradle assemblies outside the airbag deployment zone. (See Product Mounting Disclaimer Below)
- If installation of the equipment requires that the equipment be placed in front of an airbag, deactivate the airbag in the vehicle so it cannot be activated in and accident. In order to secure permission for deactivating the airbag in these circumstances, contact the National Highway Traffic Safety Administration at 1-800-424-9393 to gain permission to do so. If you have any questions or need assistance, call Gamber Johnson at 1-800-456-6868.

TOOLS NEEDED:

1. Phillips Screw Driver
2. #10 Allen Wrench
3. M10 Socket/Wrench For Chevy/GMC Vehicles
4. 3/8 Socket/Wrench

INSTALLATION INSTRUCTIONS:

1. If the Chevy/GMC vehicle comes with a center console or center seat, remove it by removing the four M10 bolts on the transmission hump. (Save the hardware for step 2). For any other vehicle, remove the necessary bolts needed to install the Leg Kit (See Instruction Sheets, skip to Step 3).
2. Secure the Legs to the transmission hump using the M10 hardware from Step 1. If there is no center seat/console, the holes are generally plugged. Use M10 hardware provided in the hardware bag.
NOTE : Letter "D" on one of the legs indicate it secures to the driver side; side with letter "D" towards front. See Figure 2.
3. Place the console box on top of the legs and slide it to desired position. Secure the console box to the leg kit using the 3/8 hardware provided
4. Attach the accessories, such as Wire Chase, Armrest, Storage Box etc., to the Console Box using the hardware provided with them.
5. If the top plate was removed during installation torque the (4) top plate bolts to 65-80 in-lbs when reinstalled.

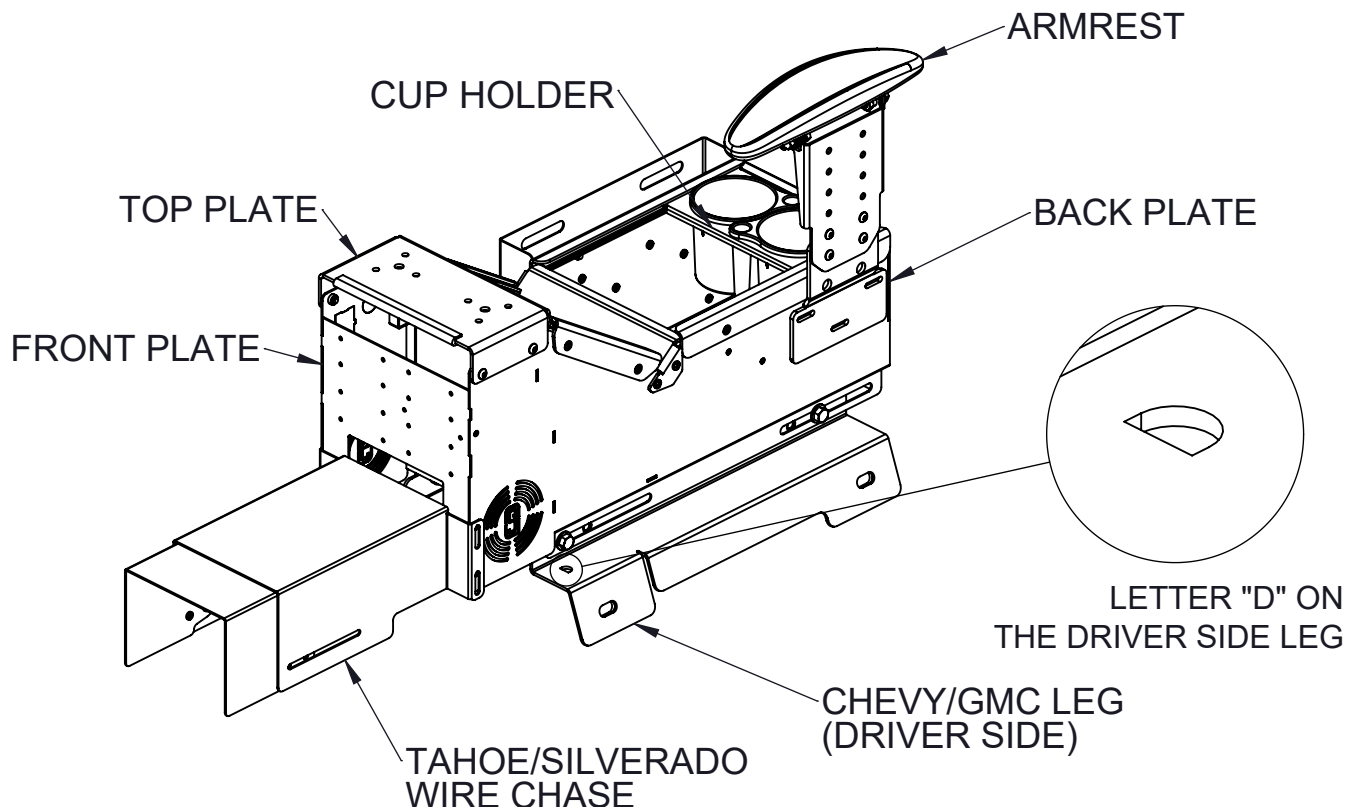


FIGURE 2: 7160-0548-03: CONSOLE BOX

Notes:

The Front Plate of the Console Box has hole patterns to mount accessories such as 13792, 7160-0110 and 7160-0313; See Figure 2; Hardware is not provided.

Accessories such as External Cup holder and Exterior Armrest could be attached to the Back Plate of the Console Box; Hardware is provided with the accessories.

ACCESSORIES:

The following are the accessories that work with this Console Box and can be ordered separately:

15250 - FACEPLATE - AUX/USB/SD CARD READER (see picture below)

7110-1013 - DRIVER SIDE ARMREST

7110-1012 - PASSENGER SIDE ARMREST

7160-0429 - EXTERIOR ARMREST

7110-1024 - WIRE CHASE ASSEMBLY (see picture below, For the Tahoe and Silverado only)

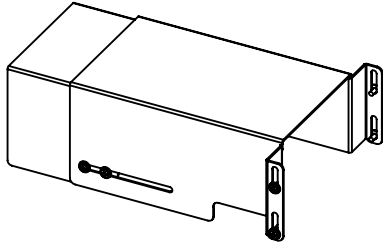
7160-0846 - INTERNAL CUP HOLDER

MCS-CUP2 - ADJUSTABLE CUP HOLDER (DOUBLE)

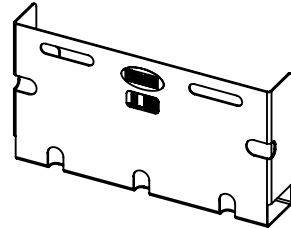
7160-0847 - EXTERNAL CUP HOLDER

7160-0464 - STORAGE POCKET (see picture below)

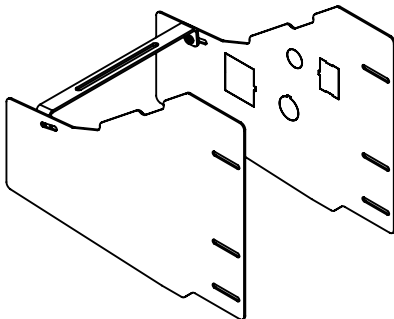
7110-1201 - WINGS TAHOE 2015+ (see picture below)



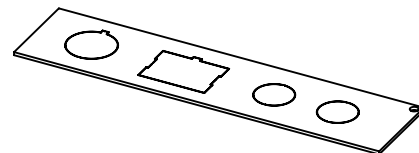
7110-1024: Wire Chase Assembly



7160-0464: Storage Pocket



7110-1201: Wings Tahoe 2015+



15250: Faceplate - AUX/USB/SD